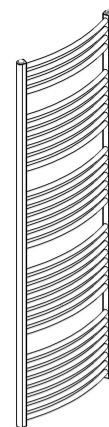


GRANDE OBLÝ

EBS

DGRR06500450SM51-6502



H	L	A	B	C	D	E	F	G
650	450	150	582	68	75	68	93-103	103-113

4.4	kg
2.4	l
316	W

I	J	K	M	N	O	P	
46-56	200	min.100	50	-	-	-	

A 4x 10x50	B 4x	C 4x	D 4x	E 4x	F 4x
G 4x	H 4x	I 4x M6x60	J 4x M8x35	K 4x	

1.1

1.2

1.3

1.4

1.5

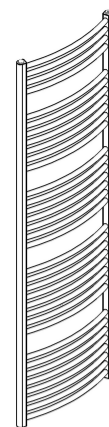
1.6

1.7

GRANDE OBLÝ

EBS

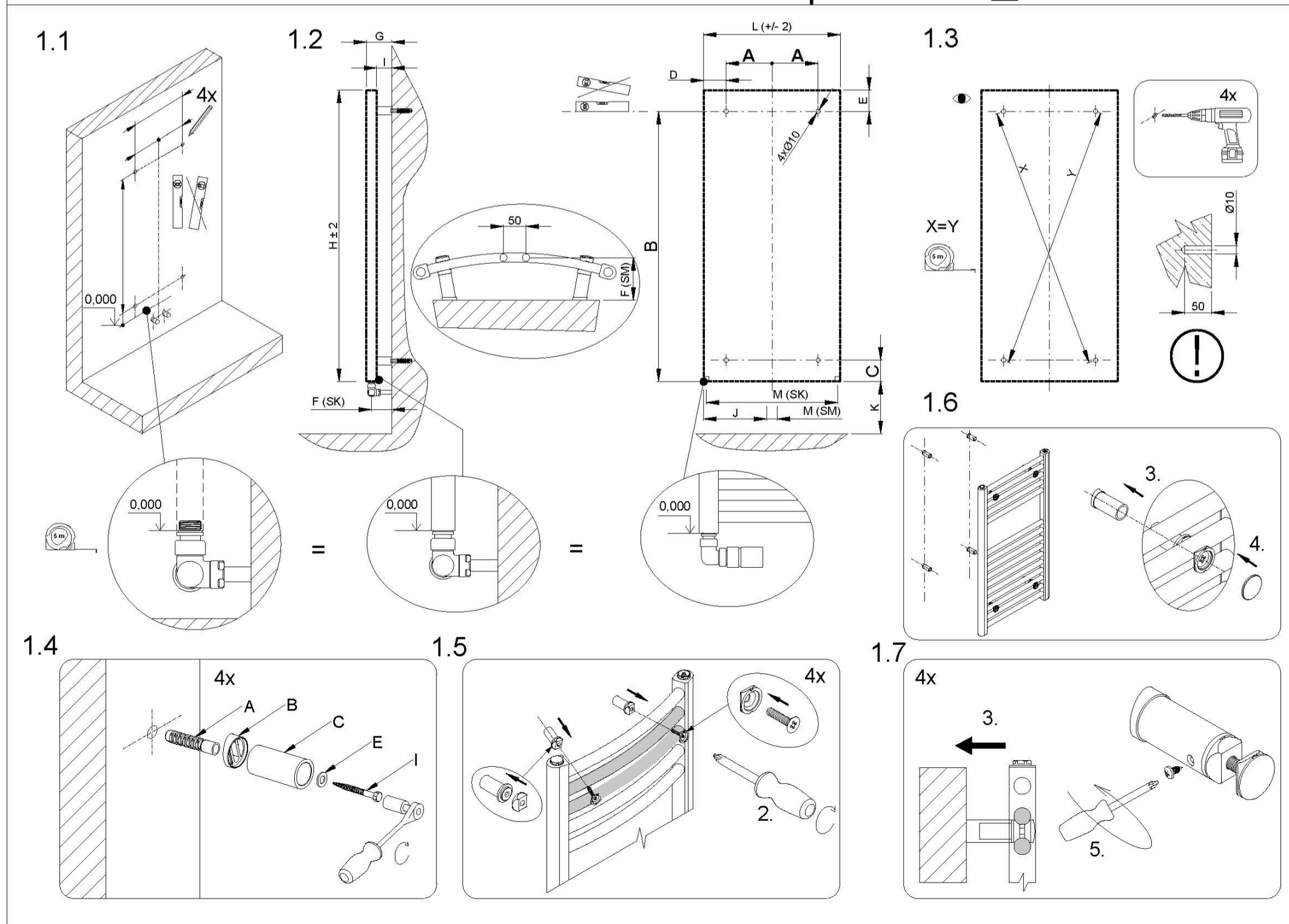
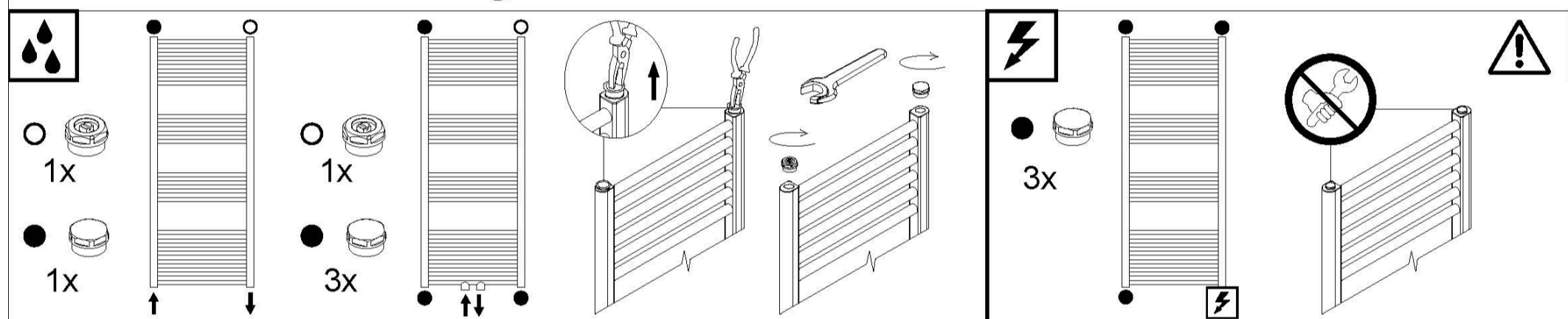
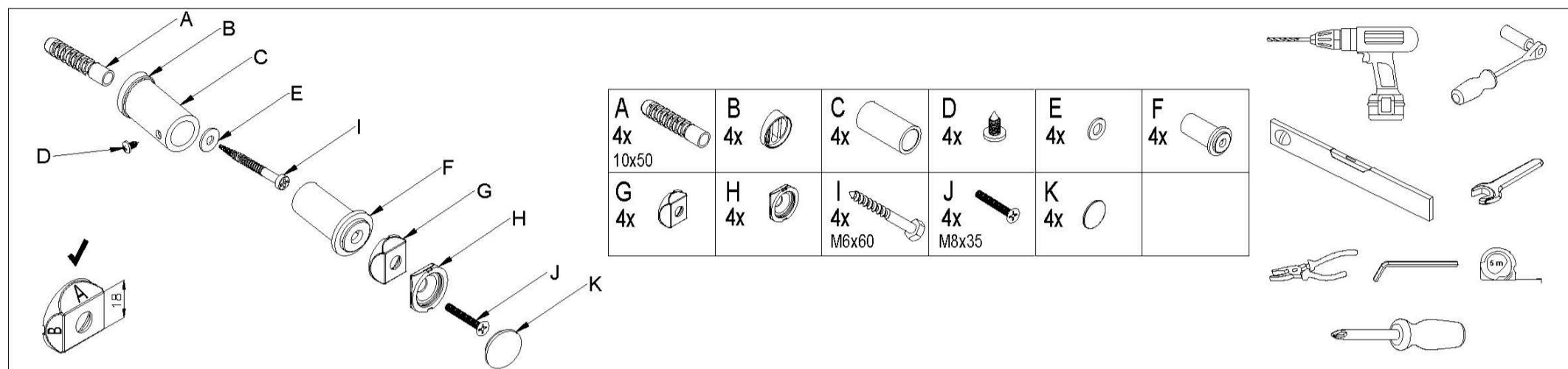
DGRR06500600SM51-6502



H	L	A	B	C	D	E	F	G
650	600	150	582	68	150	68	93-103	103-113

5.5	kg
3.0	l
409	W

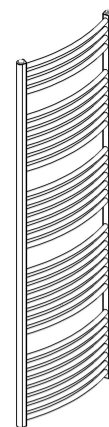
I	J	K	M	N	O	P	
17-27	275	min.100	50	-	-	-	



GRANDE OBLÝ

EBS

DGRR06500750SM51-6502



H	L	A	B	C	D	E	F	G
650	750	300	582	68	75	68	111-121	121-131

6.5	kg
3.5	l
492	W

I	J	K	M	N	O	P		
47-57	350	min.100	50	-	-	-		

A 4x 10x50	B 4x	C 4x	D 4x	E 4x	F 4x
G 4x	H 4x	I 4x M6x60	J 4x M8x35	K 4x	

1x (white anchor), 1x (black anchor), 3x (black anchors)

3x (black anchors)

Warning symbols: lightning bolt, crossed wrench and screwdriver, exclamation mark.

1.1

1.2

1.3

1.4

1.5

1.6

1.7

GRANDE OBLÝ

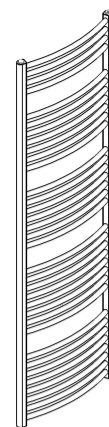
EBS

DGRR09700450SM51-6502

H	L	A	B	C	D	E	F	G
970	450	150	902	68	75	68	93-103	103-113

I	J	K	M	N	O	P		
46-56	200	min.100	50	-	-	-		

6.4	kg
3.5	l
419	W



A 4x 10x50	B 4x	C 4x	D 4x	E 4x	F 4x
G 4x	H 4x	I 4x M6x60	J 4x M8x35	K 4x	

1.1

1.2

1.3

1.4

1.5

1.6

1.7

GRANDE OBLÝ

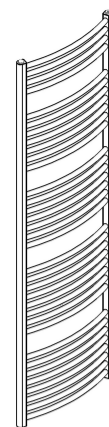
EBS

DGRR09700600SM51-6502

H	L	A	B	C	D	E	F	G
970	600	150	902	68	150	68	93-103	103-113

I	J	K	M	N	O	P	
17-27	275	min.100	50	-	-	-	

7.9	kg
4.3	l
590	W



A 4x 10x50	B 4x	C 4x	D 4x	E 4x	F 4x
G 4x	H 4x	I 4x M6x60	J 4x M8x35	K 4x	

1.1

1.2

1.3

1.4

1.5

1.6

1.7

GRANDE OBLÝ

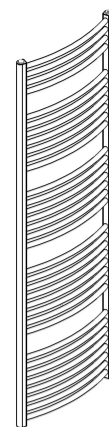
EBS

DGRR09700750SM51-6502

H	L	A	B	C	D	E	F	G
970	750	300	902	68	75	68	111-121	121-131

I	J	K	M	N	O	P		
47-57	350	min.100	50	-	-	-		

9.3	kg
5.0	l
722	W



A 4x 10x50	B 4x	C 4x	D 4x	E 4x	F 4x
G 4x	H 4x	I 4x M6x60	J 4x M8x35	K 4x	

1.1

1.2

1.3

1.4

1.5

1.6

1.7

GRANDE OBLÝ

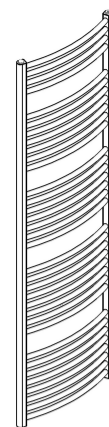
EBS

DGRR13300450SM51-6502

H	L	A	B	C	D	E	F	G
1330	450	150	1262	68	75	68	93-103	103-113

I	J	K	M	N	O	P		
46-56	200	min.100	50	-	-	-		

8.6	kg
4.7	l
545	W



A 4x 10x50	B 4x	C 4x	D 4x	E 4x	F 4x
G 4x	H 4x	I 4x M6x60	J 4x M8x35	K 4x	

1.1

1.2

1.3

1.4

1.5

1.6

1.7

GRANDE OBLÝ

EBS

DGRR13300600SM51-6502

H	L	A	B	C	D	E	F	G
1330	600	150	1262	68	150	68	93-103	103-113

I	J	K	M	N	O	P		
17-27	275	min.100	50	-	-	-		

10.7	kg
5.8	l
708	W



A 4x 10x50	B 4x	C 4x	D 4x	E 4x	F 4x
G 4x	H 4x	I 4x M6x60	J 4x M8x35	K 4x	

1x (white spacer), 1x (black spacer), 3x (black spacer)

3x (black spacer)

1.1

1.2

1.3

1.4

1.5

1.6

1.7

GRANDE OBLÝ

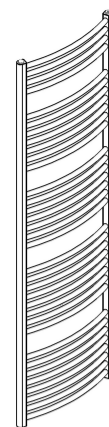
EBS

DGRR13300750SM51-6502

H	L	A	B	C	D	E	F	G
1330	750	300	1262	68	75	68	111-121	121-131

I	J	K	M	N	O	P		
47-57	350	min.100	50	-	-	-		

12.6	kg
6.8	l
865	W



A 4x 10x50	B 4x	C 4x	D 4x	E 4x	F 4x
G 4x	H 4x	I 4x M6x60	J 4x M8x35	K 4x	

1.1

1.2

1.3

1.4

1.5

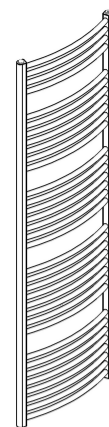
1.6

1.7

GRANDE OBLÝ

EBS

DGRR16900450SM51-6502



H	L	A	B	C	D	E	F	G
1690	450	150	1622	68	75	68	93-103	103-113

10.9	kg
6.0	l
701	W

I	J	K	M	N	O	P		
46-56	200	min.100	50	-	-	-		

A 4x 10x50	B 4x	C 4x	D 4x	E 4x	F 4x
G 4x	H 4x	I 4x M6x60	J 4x M8x35	K 4x	

1.1

1.2

1.3

1.4

1.5

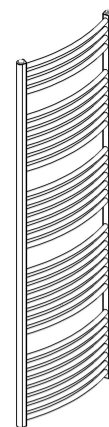
1.6

1.7

GRANDE OBLÝ

EBS

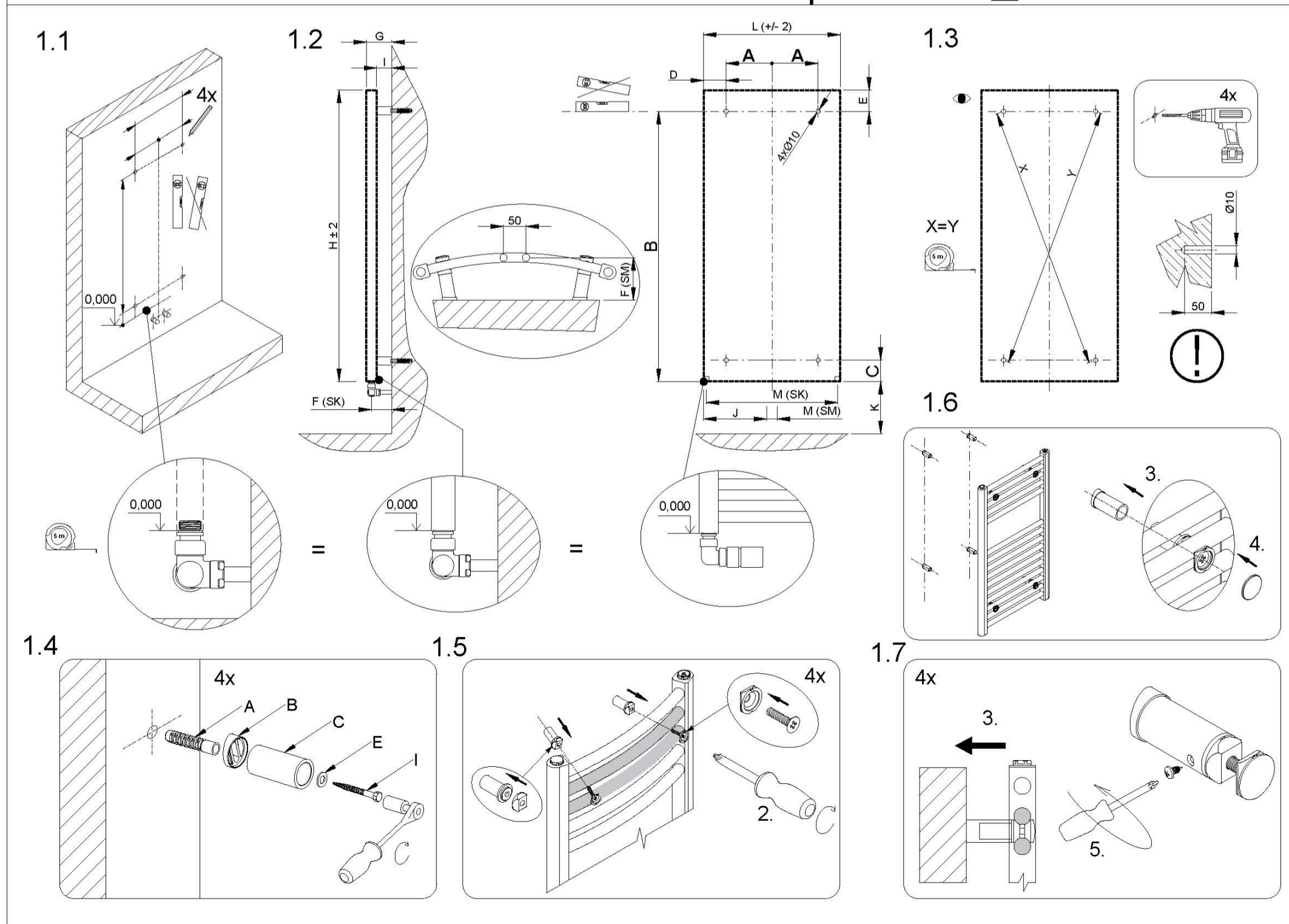
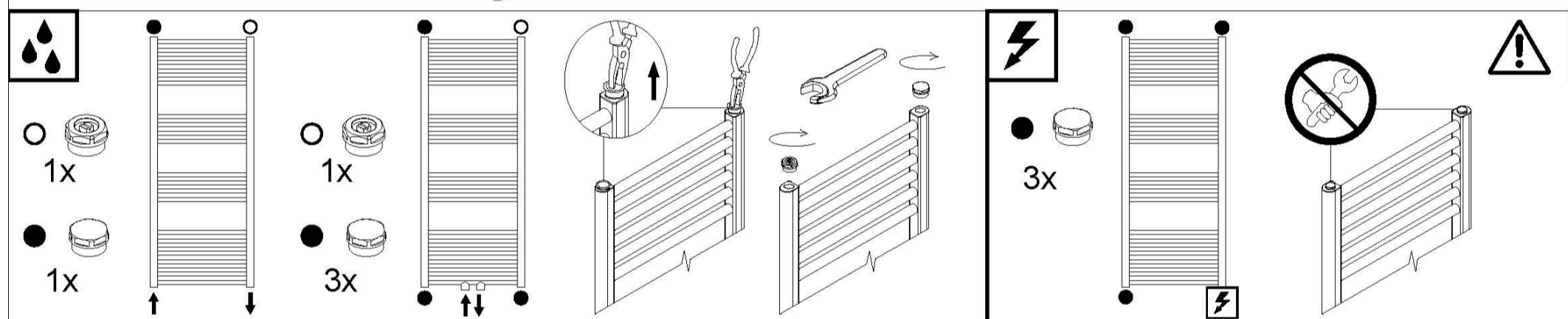
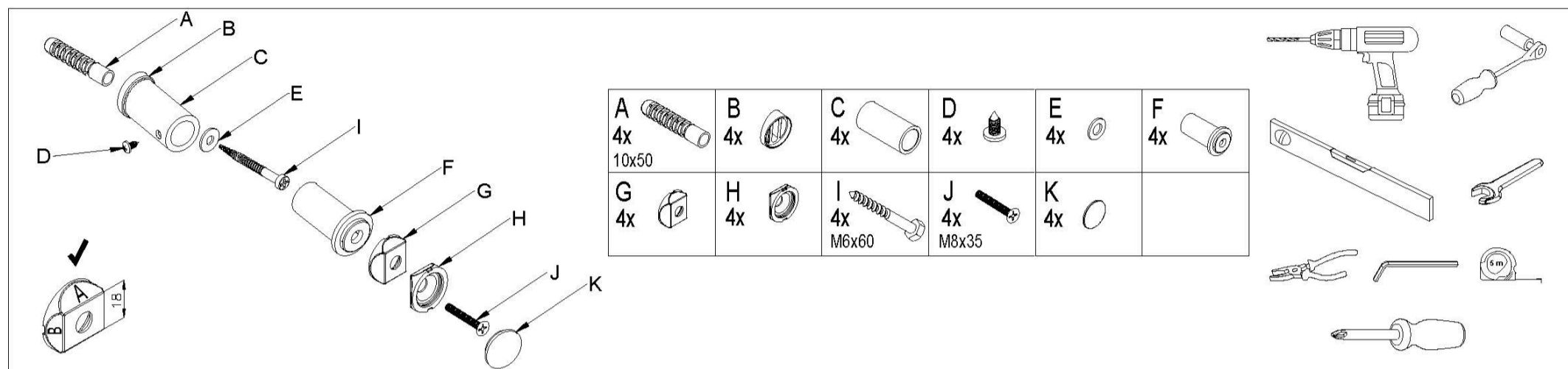
DGRR16900600SM51-6502



H	L	A	B	C	D	E	F	G
1690	600	150	1622	68	150	68	93-103	103-113

13.5	kg
7.4	l
909	W

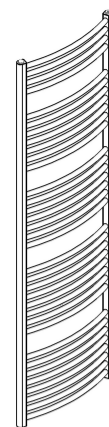
I	J	K	M	N	O	P	
17-27	275	min.100	50	-	-	-	



GRANDE OBLÝ

EBS

DGRR16900750SM51-6502



H	L	A	B	C	D	E	F	G
1690	750	300	1622	68	75	68	111-121	121-131

15.9	kg
8.6	l
1090	W

I	J	K	M	N	O	P		
47-57	350	min.100	50	-	-	-		

A 4x 10x50	B 4x	C 4x	D 4x	E 4x	F 4x
G 4x	H 4x	I 4x M6x60	J 4x M8x35	K 4x	

1.1

1.2

1.3

1.4

1.5

1.6

1.7

GRANDE OBLÝ

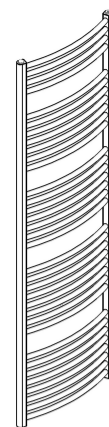
EBS

DGRR18500450SM51-6502

H	L	A	B	C	D	E	F	G
1850	450	150	1782	68	75	68	93-103	103-113

I	J	K	M	N	O	P	
46-56	200	min.100	50	-	-	-	

12.4	kg
6.8	l
805	W



A 4x 10x50	B 4x	C 4x	D 4x	E 4x	F 4x
G 4x	H 4x	I 4x M6x60	J 4x M8x35	K 4x	

1.1

1.2

1.3

1.4

1.5

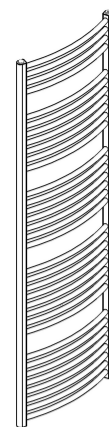
1.6

1.7

GRANDE OBLÝ

EBS

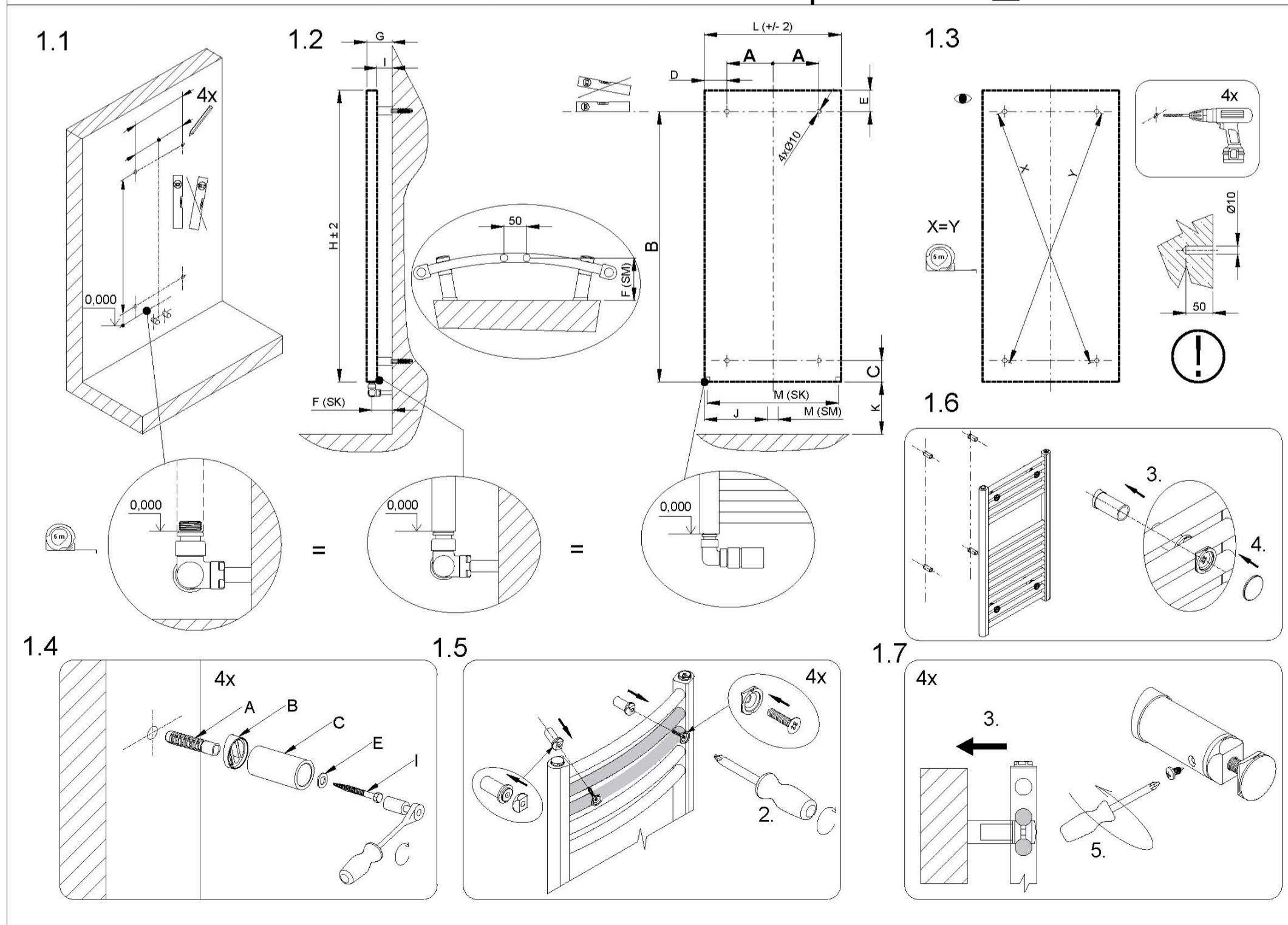
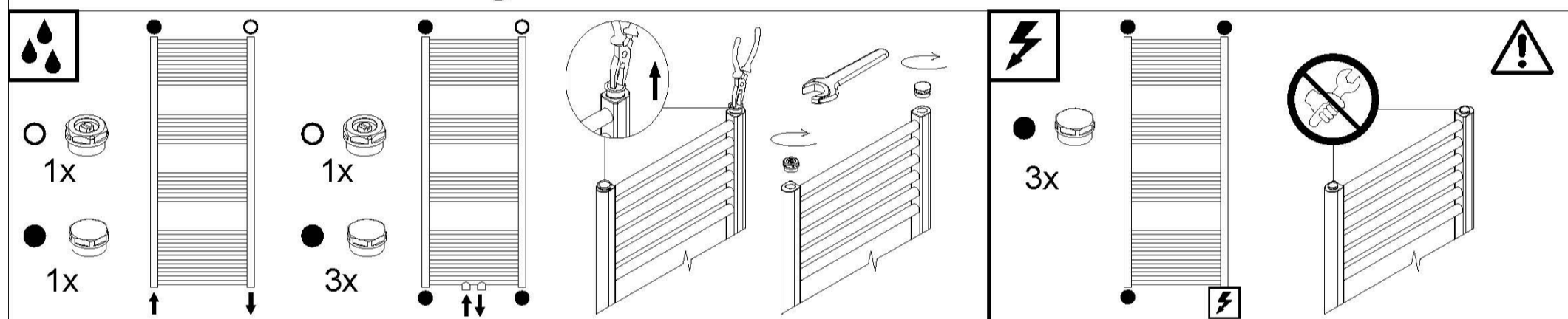
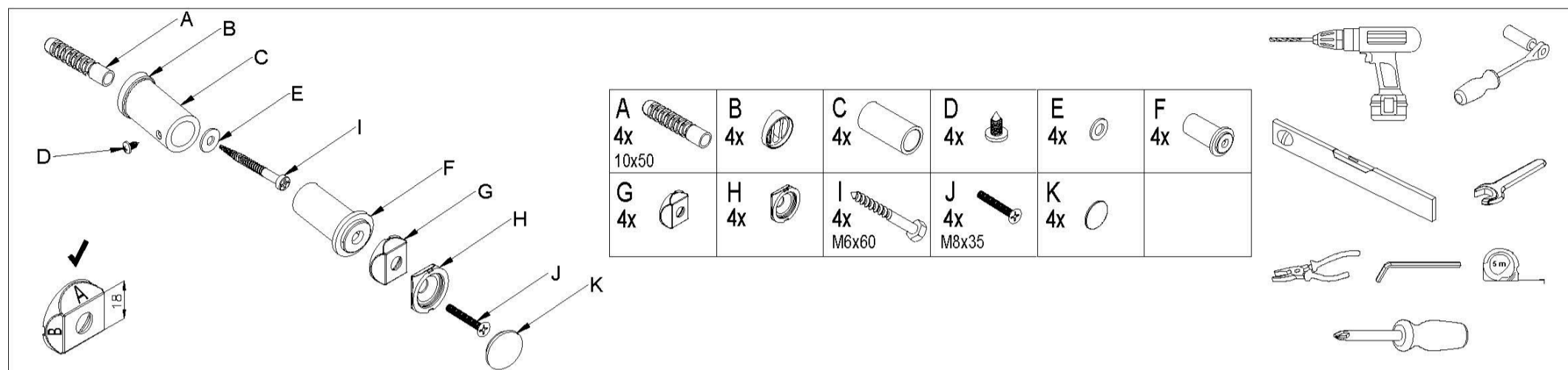
DGRR18500600SM51-6502



H	L	A	B	C	D	E	F	G
1850	600	150	1782	68	150	68	93-103	103-113

15.5	kg
8.5	l
1051	W

I	J	K	M	N	O	P	
17-27	275	min.100	50	-	-	-	



GRANDE OBLÝ

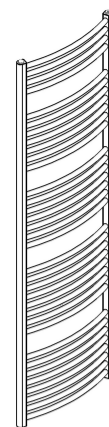
EBS

DGRR18500750SM51-6502

H	L	A	B	C	D	E	F	G
1850	750	300	1782	68	75	68	111-121	121-131

I	J	K	M	N	O	P		
47-57	350	min.100	50	-	-	-		

18.3	kg
9.9	l
1264	W



A 4x 10x50	B 4x	C 4x	D 4x	E 4x	F 4x
G 4x	H 4x	I 4x M6x60	J 4x M8x35	K 4x	

1.1: Mounting the radiator to the wall using the provided brackets and screws.

1.2: Adjusting the radiator height and ensuring it is level.

1.3: Final assembly and safety warnings regarding electrical connections.

1.1: Wall preparation and marking. Dimensions: 0,000, 5m, 4x.

1.2: Wall profile and radiator dimensions. Dimensions: G, I, H ± 2, 50, F (SM), B, L (+/- 2), A, A, D, E, M (SK), J, M (SM), K, C.

1.3: Mounting the radiator to the wall. Dimensions: X=Y, 5m, Ø10, 50.

1.4: Mounting the radiator to the wall using screws A, B, C, E, I.

1.5: Mounting the radiator to the wall using screws J, K.

1.6: Mounting the radiator to the wall using screws M (SK), M (SM).

1.7: Mounting the radiator to the wall using screws N, O, P.

