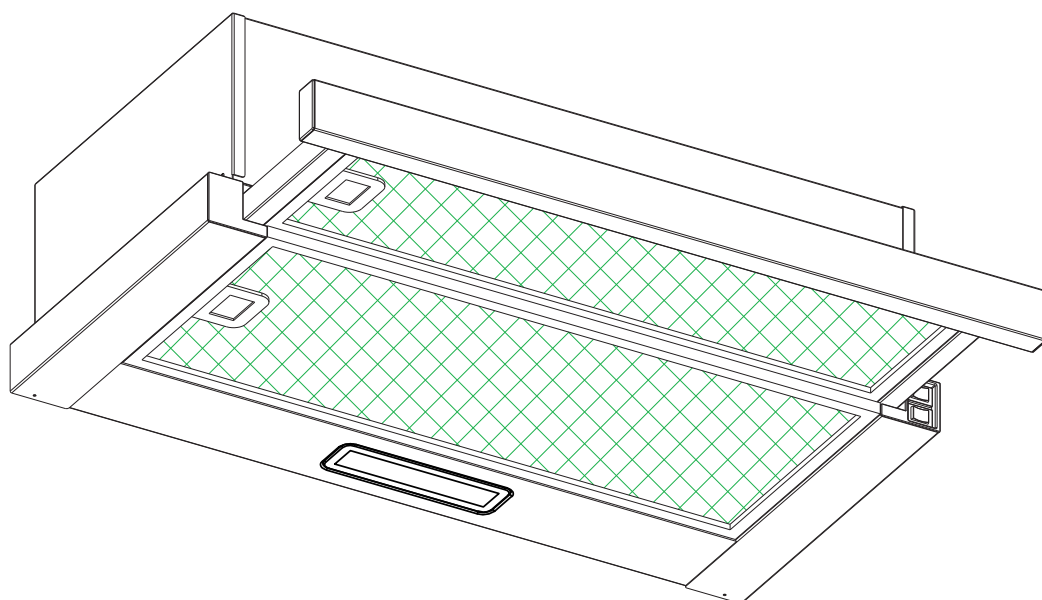


CBT625/2X/1

CBT625/2W/1, CBT625/2B/1

Cooker Hood

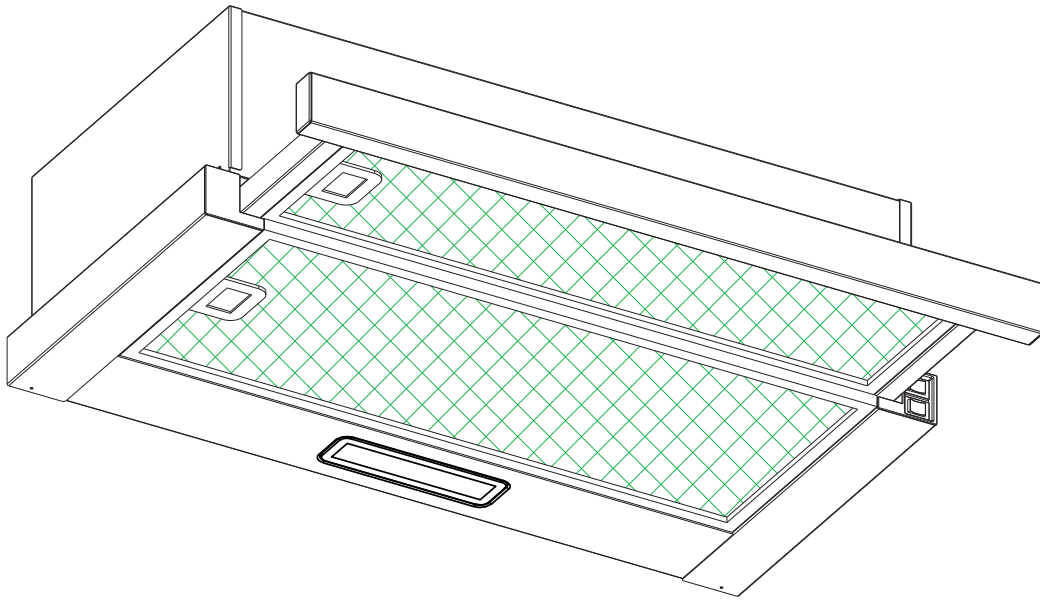
Instruction Manual



ENGLISH(EN)-----	page 001
CZECH (CS)-----	page 013
GERMAN (DE) -----	page 025
FRENCH (FR)-----	page 038
CROATIAN (HR) -----	page 051
POLISH (PL) -----	page 063
PORTUGUESE (PT) -----	page 076

SLOVAK (SK)	-----page 089
SLOVENIA (SL)	-----page 102
SERBIAN (SR)	-----page 114
BULGARIAN(BG)	-----page 126
ESPAÑOL(ES)	----- page 138
MAGYAR (HU)	----- page 153
NEDERLANDS (NL)	----- page 165
ROMÂNĂ (RO)	----- page 177
ΕΛΛΗΝΙΚΑ (EL)	----- page 190
ITALIAN (IT)	----- page 214

Cooker Hood Instruction Manual



Content

1.....	Safety instructions
2.....	Installation
3.....	Start using your cooker hood
4.....	Troubleshooting
5.....	Maintenance and cleaning
6.....	Environment protection

SAFETY INSTRUCTIONS

This manual explains the proper installation and use of your cooker hood, please read it carefully before using even if you are familiar with the product. The manual should be kept in a safe place for future reference.

Never to do:

- Do not try to use the cooker hood without the grease filters or if the filters are excessively greasy!
- Do not install above a cooker with a high level grill.
- Do not leave frying pans unattended during use because overheated fats or oils might catch fire.
- Never leave naked flames under the cooker hood.



- If the cooker hood is damaged, do not attempt to use.
- Do not flambé under the cooker hood.
- CAUTION: Accessible parts may become hot when used with cooking appliances.
- The minimum distance between the supporting surface for the cooking vessels on the hob and the lowest part of the cooker hood. (When the cooker hood is located above a gas appliance, this distance shall be at least 65 cm)
- The air must not be discharged into a flue that is used for exhausting fumes from appliances burning gas or other fuels.



Always to do:

- Important! Always switch off the electricity supply at the mains during installation and maintenance such as light bulb replacement.
- The cooker hood must be installed in accordance with the installation instructions and all measurements followed.
- All installation work must be carried out by a competent person or qualified electrician.
- Please dispose of the packing material carefully. Children are vulnerable to it.
- Pay attention to the sharp edges inside the cooker hood especially during installation and cleaning.
- When the cooker hood is located above a gas appliance, the minimum distance between the supporting surface for the cooking vessels on the hob and the lowest part of the cooker hood that distance must be:
Gas cookers: 75 cm
Electric cookers: 65 cm
Coal or oil cookers: 75 cm
- Make sure the ducting has no bends sharper than 90 degrees as this will reduce the efficiency of the cooker hood.
- Warning: Failure to install the screws or fixing device in accordance with these instructions may result in electrical hazards

Always to do:

- Always put lids on pots and pans when cooking on a gas cooker.
- When in extraction mode, air in the room is being removed by the cooker hood. Please make sure that proper ventilation measures are being observed. The cooker hood removes odours from room but not steam.
- Cooker hood is for domestic use only.



- If the supply cord is damaged, it must be replaced by the manufacturer, its service agent or similarly qualified persons in order to avoid a hazard.
- This appliance can be used by children aged from 8 years and above and persons with reduced physical, sensory or mental capabilities or lack of experience and knowledge if they have been given supervision or instruction concerning use of the appliance in a safe way and understand the hazards involved. Children shall not play with the appliance. Cleaning and user maintenance shall not be made by children without supervision.



- **Warning:** Before obtaining access to terminals, all supply circuits must be disconnected.

Always to do:

- **Caution:** The appliance and its accessible parts can become hot during operation. Be careful to avoid touching the heating elements. Children younger than 8 years old should stay away unless they are under permanent supervision.
- There shall be adequate ventilation of the room when the cooker hood is used at the same time as appliances burning gas or other fuels.
- There is a fire risk if cleaning is not carried out in accordance with the instructions
- Regulations concerning the discharge of air have to be fulfilled.
- Clean your appliance periodically by following the method given in the chapter MAINTENANCE.
- For safety reason, please use only the same size of fixing or mounting screw which are recommended in this instruction manual.
- Regarding the details about the method and frequency of cleaning, please refer to maintenance and cleaning section in the instruction manual.
- Cleaning and user maintenance shall not be made by children without supervision.
- When the cooker hood and appliances supplied with energy other than electricity are simultaneously in operation, the negative pressure in the room must not exceed 4 Pa (4 x 10⁻⁵ bar).
- **WARNING:** Danger of fire: do not store items on the cooking surfaces.
- A steam cleaner is not to be used.
- **NEVER** try to extinguish a fire with water, but switch off the appliance and then cover flame e.g. with a lid or a fire blanket.

INSTALLATION (VENT OUTSIDE)

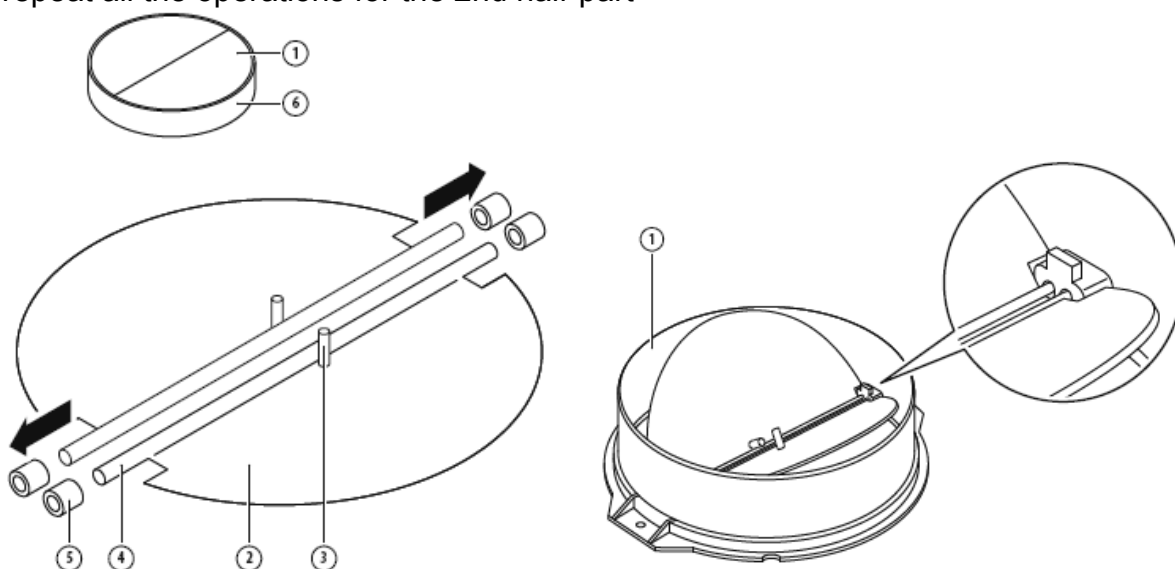
MOUNTING OF THE V-FLAP

**Optional accessory supplied only with some models.*

If the cooker hood does not have an assembled V-flap 1, you should mount the half-parts to its body. The images only show an example of how to mount the V-flap, the outlet may be various according to different models and configuration.

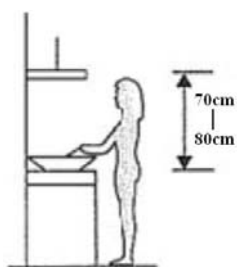
To mount the V-flap 1 you should:

- Mount two half-parts 2 into the body 6
- a pin 3 should be top oriented;
- the axis 4 should be inserted in the holes 5 on body;
- repeat all the operations for the 2nd half-part

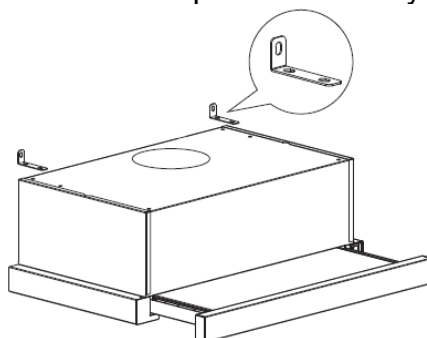


INSTALLATION (Wall Mounting)

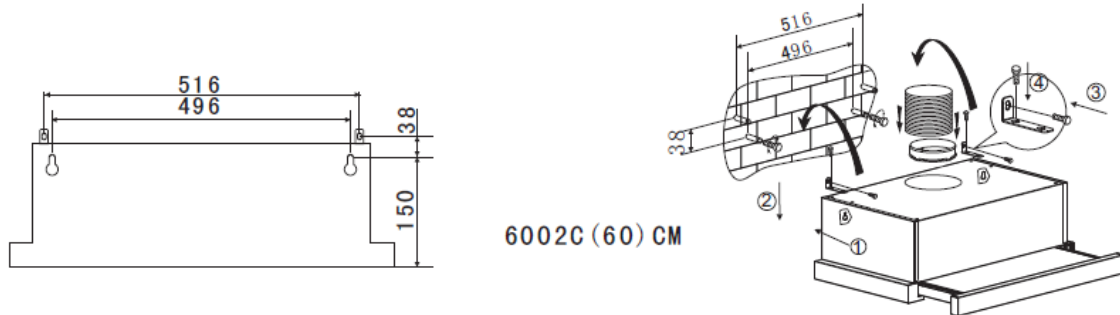
1. Decide the location of the holes for fixing the cooker hood.



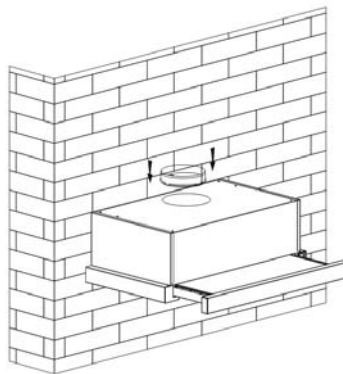
2. Install the L-shaped bracket on the top of the hood by two screws (4mm x 10mm)



- The cooker hood is wall mounted by 4 screws (4mm x 30mm) and wall plugs. Mount the cooker hood on the wall on the back of the cooker hood by 2 screws (4mm x 30mm) and wall plugs. Then fix the cooker hood on the wall by 2 screws (4mm x 30mm) and wall plugs through the small L-shaped bracket.

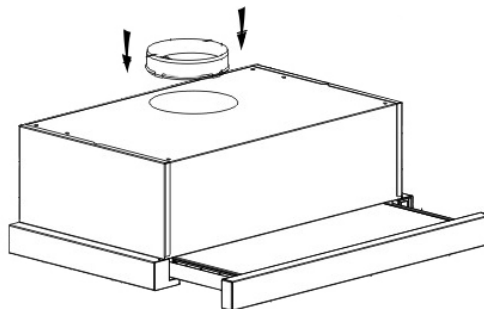


- Fix the one-way-valve to the air outlet of the cooker hood.

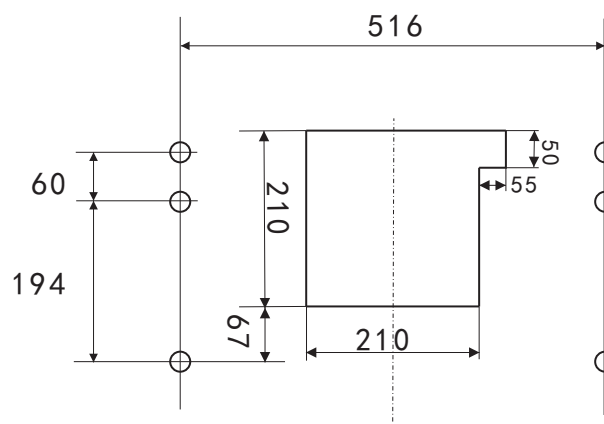


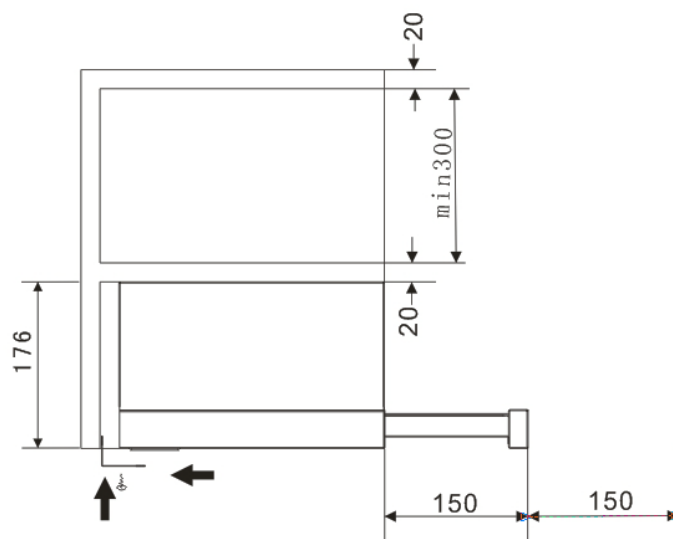
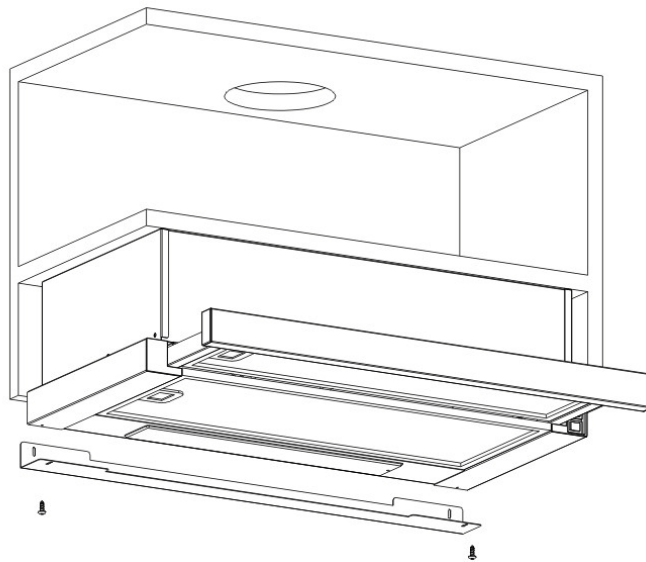
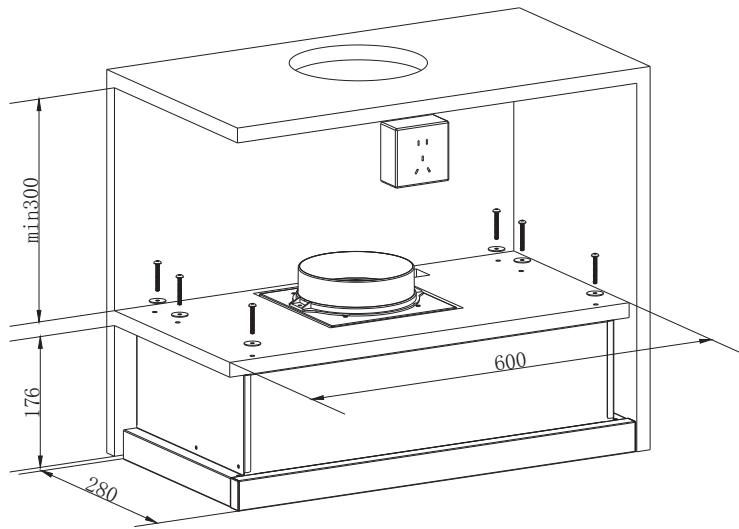
INSTALLATION (Cabinet Mounting)

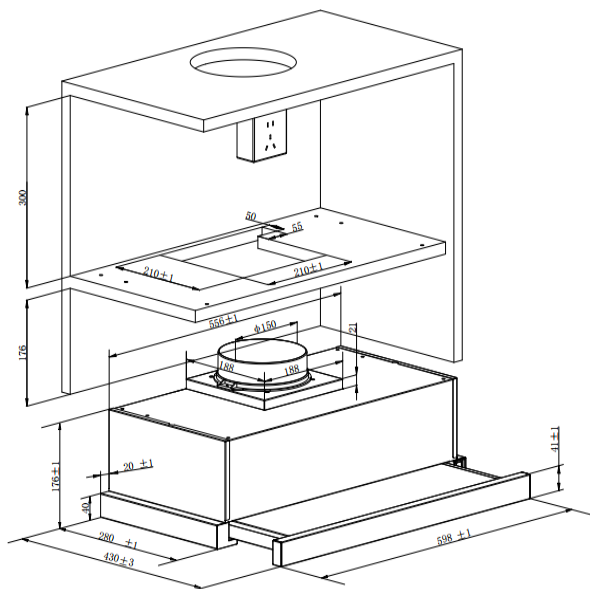
- Fix the one-way-valve to the air outlet of the cooker hood.




- Mount the cooker hood on the cabinet by 6 screws (4x35mm) and flat washers.





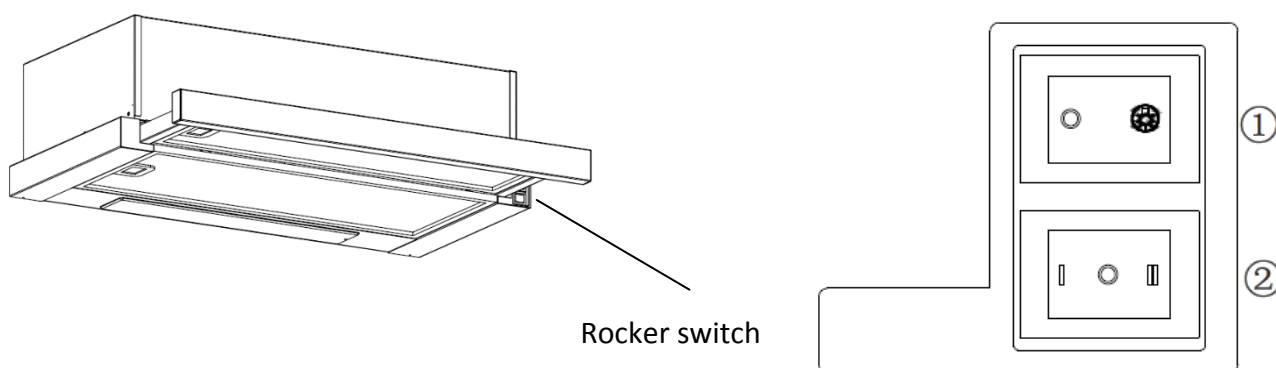


If there is gap between the wall and the cooker hood, you may install the L-shaped bracket on the bottom of the hood by two screws (3 x 12mm). The installation of the L-shaped bracket is optional.
 Note: The expansion pipe is not included in the product.

<p>WARNING:</p> 	<ul style="list-style-type: none"> ➤ For safety reason, please use only the same size of fixing or mounting screw which are recommended in this instruction manual. ➤ Failure to install the screws or fixing device in accordance with these instructions may result in electrical hazards.
---	--

Start Using Your Cooker Hood

Rocker switch



1. Insert the power plug into the socket.
2. Push switch ① to , the lamp will be on; push switch ① to "0" , the lamp will be off.
3. Push the switch ② into "I, II" , the motor will be on "low, high" two speeds, push into "0" , the motor will be off.

4. The power will be connected when pull out the front panel. Conversely, the power will be automatically disconnected.

TROUBLESHOOTING

Fault	Possible Cause	Solution
Light on, but motor does not work	Fan switch turned off	Select a fan switch position.
	Fan switch failed	Contact service center.
	Motor failed	Contact service center.
Light does not work, motor does not work	House fuses blown	Reset/Replace fuses.
	Power cord loose or disconnected	Refit cord to power outlet. Switch power outlet on.
Oil leakage	One way valve and the outlet are not tightly sealed	Take down the one way valve and seal with sealant.
	Leakage from the connection of chimney and cover	Take chimney down and seal.
Lights not working	Broken/Faulty globes	Replace globes as per this instruction.
Insufficient suction	The distance between the cooker hood and the gas top is too far	Refit the cooker hood to the correct distance.
The Cooker hood inclines	The fixing screw not tight enough	Tighten the hanging screw and make it horizontal.

NOTE:



Any electrical repairs to this appliance must conform to your local, state and federal laws. Please contact the service centre if in any doubt before undertaking any of the above. Always disconnect the unit from the power source when opening the unit.

MAINTENANCE AND CLEANING

Caution:

- Before maintenance or cleaning is carried out, the cooker hood should be disconnected from the main power supply. Ensure that the cooker hood is switched off at the wall socket and the plug removed.



- External surfaces are susceptible to scratches and abrasions, so please follow the cleaning instructions to ensure the best possible result is achieved without damage.

GENERAL

Cleaning and maintenance should be carried out with the appliance cold especially when cleaning. Avoid leaving alkaline or acid substances (lemon juice, vinegar etc.) on the surfaces.

STAINLESS STEEL

The stainless steel must be cleaned regularly (e.g. weekly) to ensure long life expectancy. Dry with a clean soft cloth. A specialized stainless steel cleaning fluid may be used.

NOTE:

Ensure that wiping is done along with the grain of the stainless steel to prevent any unsightly crisscross scratching patterns from appearing.

CONTROL PANEL SURFACE

The inlay control panel can be cleaned using warm soapy water. Ensure the cloth is clean and well wrung before cleaning. Use a dry soft cloth to remove any excess moisture left after cleaning.

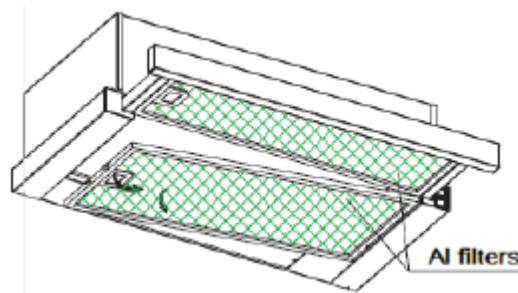
Important

Using neutral detergents and avoid using harsh cleaning chemicals, strong household detergents or products containing abrasives, as this will affect the appliance appearance and potentially remove any printing of artwork on the control panel and will void manufacturer's warranty.

GREASE MESH FILTERS

The mesh filters can be cleaned by hand. Soak them for about 3 minutes in water with a grease-loosening detergent then brush it gently with a soft brush. Please do not apply too much pressure, avoid to damage it. (Leave to dry naturally out of direct sunlight)

Filters should be washed separately to crockery and kitchen utensils. It is advisable not to use rinse aid.



INSTALLING GREASE MESH FILTERS

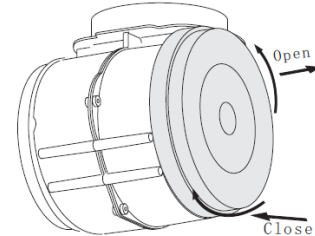
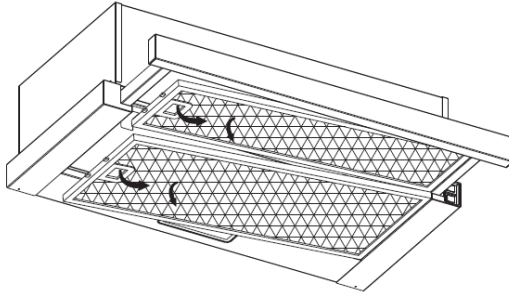
- To install filters for the following four steps .
- Angle the filter into slots at the back of the hood.
- Push the button on handle of the filter.
- Release the handle once the filter fits into a resting position.
- Repeat to install all filters.

CARBON FILTER- not supplied

Activated carbon filter can be used to trap odors. Normally the activated carbon filter

should be changed at three or six months according to your cooking habit. The installation procedure of activated carbon filter is as below.


- (1) Slide the front part of the cooker hood.
- (2) The al filter should be detached first. Press the lock and pull it downward.
- (3) Take out the carbon filter by rotating the carbon filter anti-clockwise.
- (4) Replace the new carbon filter.



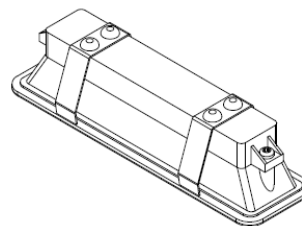
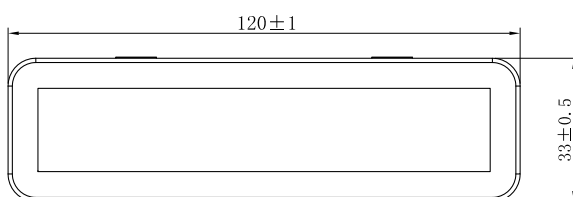
NOTE:

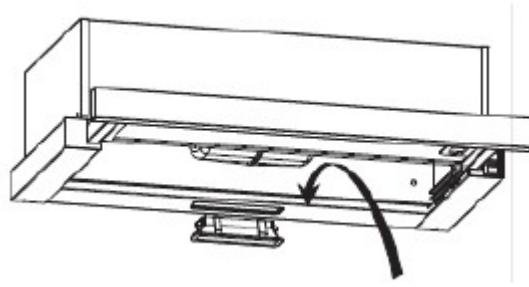
- Make sure the filter is securely locked. Otherwise, it would loosen and cause dangerous.
- When activated carbon filter attached, the suction power will be lowered.

BULB REPLACEMENT

<p>Important :</p> 	<ul style="list-style-type: none"> ✧ The bulb must be replaced by the manufacturer, its service agent or similarly qualified persons. ✧ Always switch off the electricity supply before carrying out any operations on the appliance. When handling bulb, make sure it is completely cool down before any direct contact to hands. ✧ When handling globes hold with a cloth or gloves to ensure perspiration does not come in contact with the globe as this can reduce the life of the globe.
--	---

- (1) Switch off the appliance and unplug it.
 - (2) Slide the front part of the cooker hood.
 - (3) The al filter should be detached first. Press the lock and pull it downward.
 - (4) Replace with same type of light. 110-240V~50Hz, MAX.2W LED
- ILCOS D code for this lamp is: DBS-2/65-H-120/33.
 - Max wattage: 2 W
 - Voltage range: AC 110-240 V
 - Dimensions:





ENVIRONMENTAL PROTECTION:



This appliance is labelled in accordance with European Directive 2012/19/EU regarding electric and electronic appliances (WEEE). The WEEE contain both polluting substances (that can have a negative effect on the environment) and base elements (that can be reused). It is important that the WEEE undergo specific treatments to correctly remove and dispose of the pollutants and recover all the materials. Individuals can play an important role in ensuring that the WEEE do not become an environmental problem; It is essential to follow a few basic rules:

- the WEEE should not be treated as domestic waste;
- the WEEE should be taken to dedicated collection areas managed by the town council or a registered company.

In many countries, domestic collections may be available for large WEEEs. When you buy a new appliance, the old one can be returned to the vendor who must accept it free of charge as a one-off, as long as the appliance is of an equivalent type and has the same functions as the purchased appliance.

NOTE:

The following shows how to reduce total environmental impact (e.g. energy use) of the cooking process).

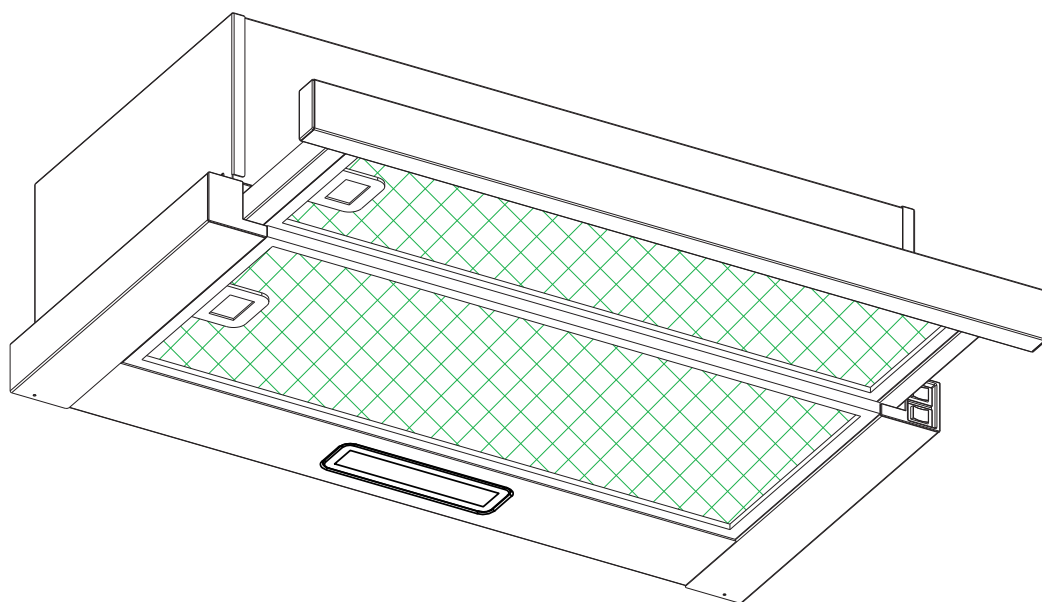
- (1) Install the cooker hood in a proper place where there is efficient ventilation.
- (2) Clean the cooker hood regularly so as not to block the airway.
- (3) Remember to switch off the cooker hood light after cooking.
- (4) Remember to switch off the cooker hood after cooking.

INFORMATION FOR DISMANTLING

Do not dismantle the appliance in a way which is not shown in the user manual. The appliance could not be dismantled by user. At the end of life, the appliance should not be disposed of with household waste. Check with you Local Authority or retainer for recycling advice.

Digestoř

Návod k obsluze



Obsah

1.....	Bezpečnostní pokyny
2.....	Instalace
3.....	Používání digestoře
4.....	Řešení problémů
5.....	Údržba a čištění
6.....	Ochrana životního prostředí

BEZPEČNOSTNÍ POKYNY

Tento návod vysvětluje správnou instalaci a používání digestoře; před použitím si ho pozorně přečtěte, i když výrobek dobře znáte. Návod by se měl uschovat na bezpečném místě pro budoucí použití.

Co nikdy nedopustit:

- Nepokoušejte se používat digestoř bez tukových filtrů nebo v případě, že jsou filtry nadměrně zanesené tukem!
- Neinstalujte digestoř nad sporák s vysoko umístěným grilem.
- Během používání nenechávejte pánve bez dozoru, protože přehřátý tuk nebo olej by mohl vzplanout.
- Nikdy nenechte pod digestoří otevřený plamen.



- Pokud je digestoř poškozená, nepoužívejte ji.
- Pod digestoří nevlambujte.
- **POZOR:** Přístupné součásti mohou být při používání kuchyňských spotřebičů horké.
- Dodržujte minimální vzdálenost mezi plochou plotny, na kterou se pokládají nádoby na vaření, a nejnižší součástí digestoře. (Když je digestoř umístěna nad plynovým sporákem, tato vzdálenost musí být alespoň 65 cm.)
- Vzduch se nesmí odvádět do kouřovodu, který slouží k odvodu kouře ze spotřebičů spalujících plyn nebo jiná paliva.



Co je vždy nutné:

- **Důležité!** Při instalaci a údržbě, například výměně žárovky, vždy vypněte přívod síťového napájení.
- Digestoř se musí být instalovat podle pokynů k instalaci a je nutné dodržet všechny rozměry.
- Veškerou instalaci musí provádět kompetentní osoba nebo kvalifikovaný elektrikář.
- Pečlivě zlikvidujte obalový materiál. Mohl by ohrozit děti.
- Věnujte pozornost ostrým hranám uvnitř digestoře, zejména při instalaci a čištění.
- Jestliže je digestoř umístěna nad plynovým sporákem, minimální vzdálenost mezi plochou plotny, na kterou se pokládají nádoby na vaření, a nejnižší součástí digestoře, musí být:
Plynové sporáky: 75 cm
Elektrické sporáky: 65 cm
Sporáky na uhlí nebo topný olej: 75 cm
- Zajistěte, aby potrubní vedení nemělo ohyby ostřejší než 90 stupňů, protože tím by se snížila účinnost digestoře.
- **Varování:** Pokud nebudou šrouby nebo upevňovací prvky namontovány podle těchto pokynů, mohlo by dojít k úrazu elektrickým proudem.

Co je vždy nutné:

- Při vaření na plynovém sporáku vždy zakrývejte hrnce a pánve pokličkami.
- V režimu odsávání odsává digestoř vzduch z místnosti. Zajistěte dodržování náležitých opatření pro dostatečné větrání. Digestoř odsává z místnosti zápachy, ale ne páru.
- Digestoř je určena pouze k použití v domácnosti.



- Pokud se poškodí napájecí kabel, výměnu musí provést výrobce, jeho servisní zástupce nebo osoby s podobnou kvalifikací, aby se vyloučilo riziko.
- Tento spotřebič mohou používat děti starší osmi let a osoby s omezenými fyzickými, smyslovými nebo duševními schopnostmi nebo osoby nezkušené a neznalé za předpokladu, že mají zajištěný dohled nebo byly poučeny o bezpečném používání spotřebiče a chápou související rizika. Děti si nesmějí hrát se spotřebičem. Děti nesmějí provádět čištění a uživatelskou údržbu bez dozoru.



- **Varování:** Než zpřístupníte svorky, musí být odpojeny všechny napájecí obvody.

Co je vždy nutné:

- **Pozor:** Spotřebič a jeho přístupné součásti se mohou při používání zahřívat. Dávejte pozor, abyste se nedotkli topných těles. Děti mladší osmi let by se neměly přibližovat, pokud nejsou pod stálým dozorem.
- Pokud je digestoř používána v místnosti, kde jsou další spotřebiče spalující plyn nebo jiná paliva, musí být zajištěno dostatečné větrání.
- Pokud není prováděno čištění podle pokynů, hrozí riziko požáru.
- Musí být dodržovány předpisy pro odvod vzduchu.
- Pravidelně čistěte spotřebič způsobem popsáním v kapitole ÚDRŽBA.
- Z bezpečnostních důvodů používejte pouze upevňovací nebo montážní šrouby stejné velikosti, jaká je uvedena v tomto návodu.
- Podrobnosti o způsobu a četnosti čištění najdete v části Údržba a čištění v tomto návodu k obsluze.
- Děti nesmějí provádět čištění a uživatelskou údržbu bez dozoru.
- Jestliže je digestoř v provozu společně se spotřebiči napájenými jinak než elektrickou energií, podtlak v místnosti nesmí překročit 4 Pa (4 x 10⁻⁵ bar).
- **VAROVÁNÍ:** Nebezpečí požáru: neskladujte předměty na varném povrchu.
- Nesmí se používat parní čistič.
- **NIKDY** se nepokoušejte hasit požár vodou, ale vypněte spotřebič a potom zakryjte plamen např. pokličkou nebo hasicí rouškou.

INSTALACE (ODVOD VZDUCHU VEN)

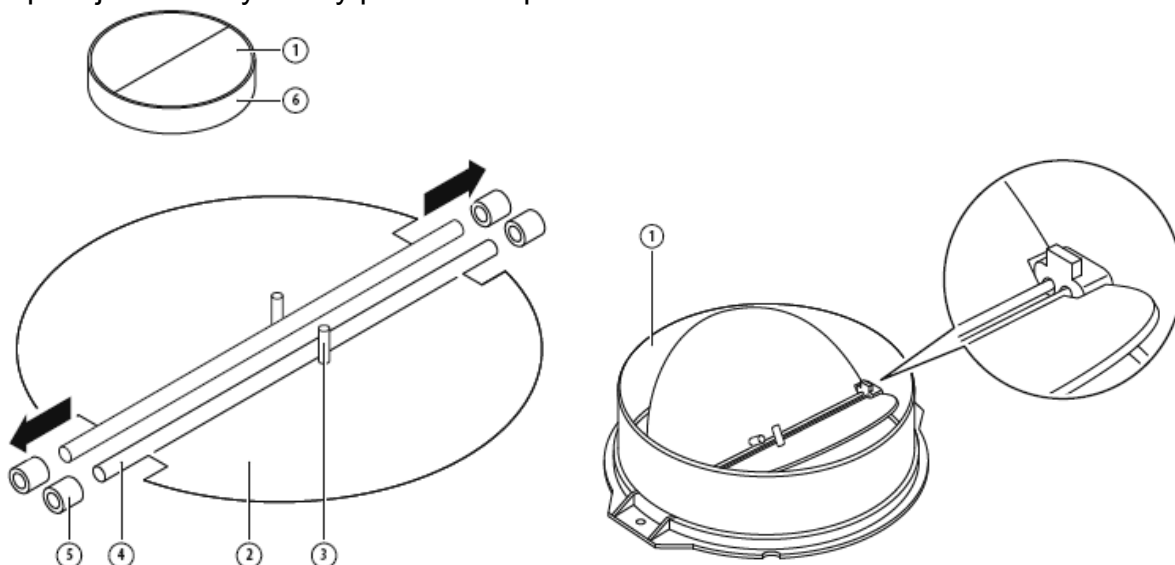
MONTÁŽ KLÍNOVÉ KLAPKY

**Volitelné příslušenství dodávané pouze s některými modely.*

Pokud digestoř nemá nainstalovanou klínovou klapku 1, měli byste namontovat obě poloviny do tělesa. Obrázky znázorňují pouze příklad způsobu montáže klínové klapky, výstup se může lišit v závislosti na modelu a konfiguraci.

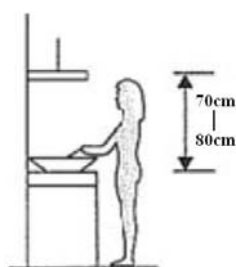
Při montáži klínové klapky byste měli postupovat takto:

- Namontujte obě poloviny 2 do tělesa 6.
- Čep 3 by měl směřovat nahoru.
- Osa 4 by měla být vložena do otvorů 5 v tělese.
- Opakujte všechny úkony pro druhou polovinu.

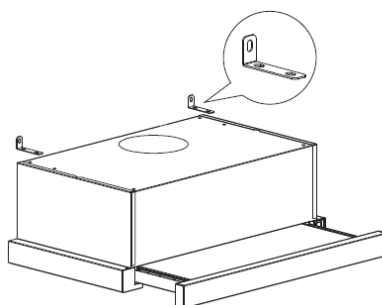


INSTALACE (montáž na stěnu)

1. Určete místa pro otvory pro připevnění digestoře.

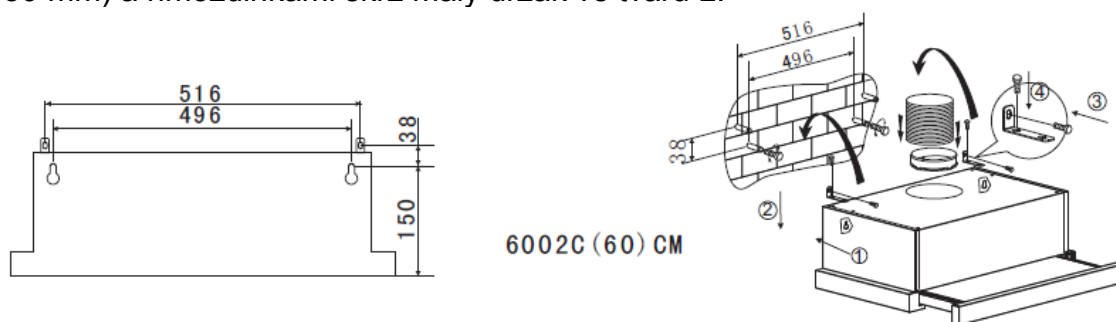


2. Dvěma šrouby (4 mm x 10 mm) připevněte držák ve tvaru L k horní straně digestoře.

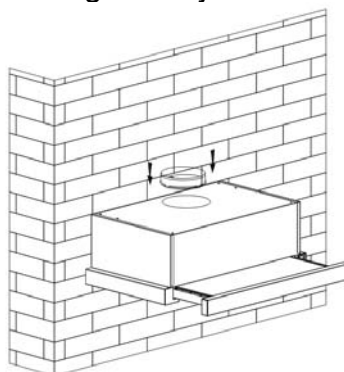


3. Digestoř se montuje na stěnu pomocí čtyř šroubů (4 mm x 30 mm) a hmoždinek. Pomocí dvou šroubů (4 mm x 30 mm) a hmoždinek namontujte zadní stranu

digestoře na stěnu. Potom připevněte digestoř ke stěně dvěma šrouby (4 mm x 30 mm) a hmoždinkami skrz malý držák ve tvaru L.

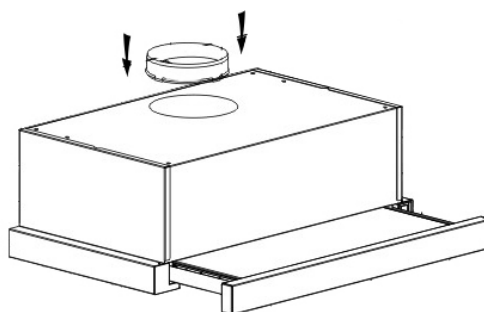


4. Nainstalujte na výstup vzduchu digestoře jednocestný ventil.

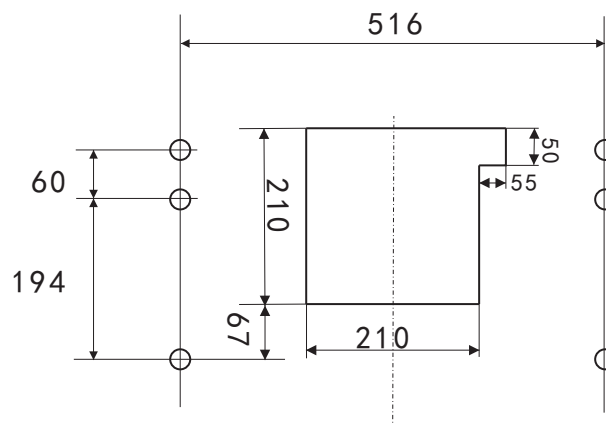


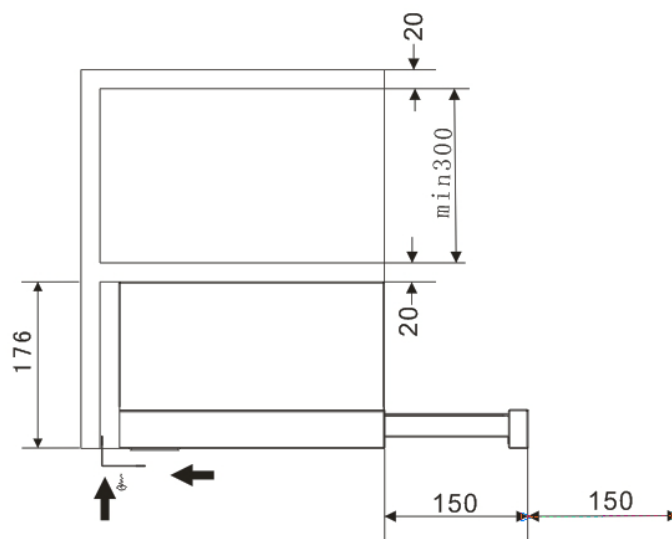
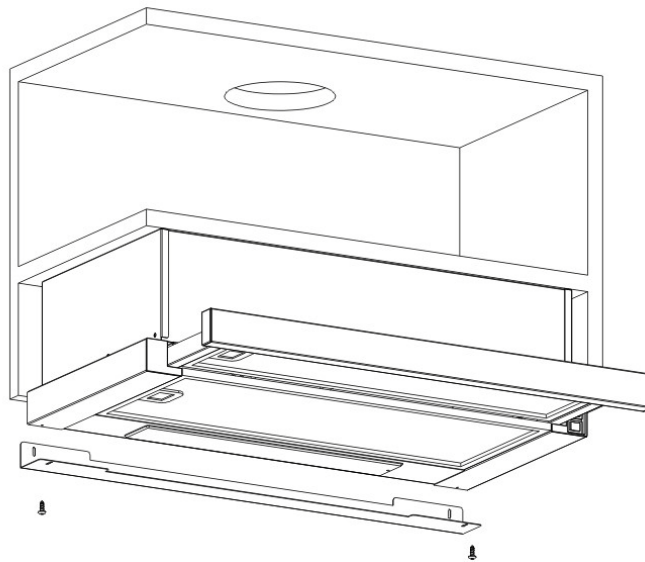
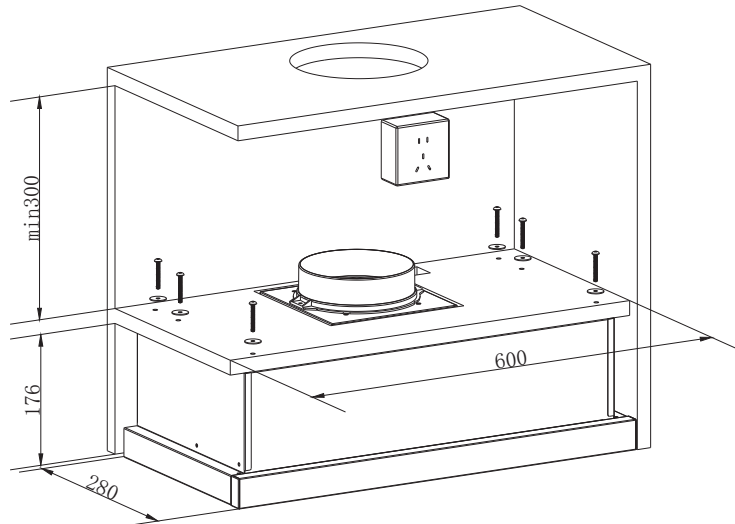
INSTALACE (montáž do skříně)

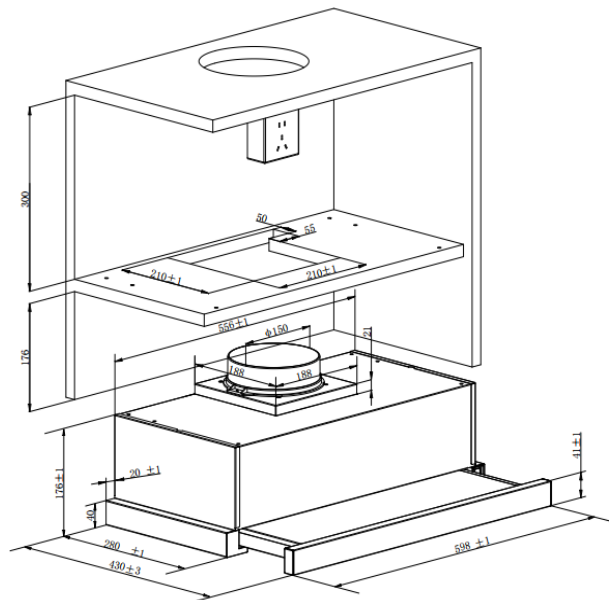
1. Nainstalujte na výstup vzduchu digestoře jednocestný ventil.




2. Pomocí šesti šroubů (4 × 35 mm) a plochých podložek připevněte digestoř ke skříni.





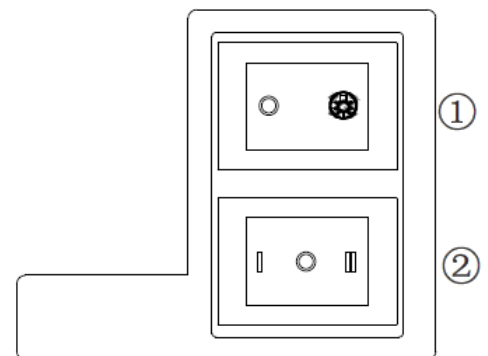
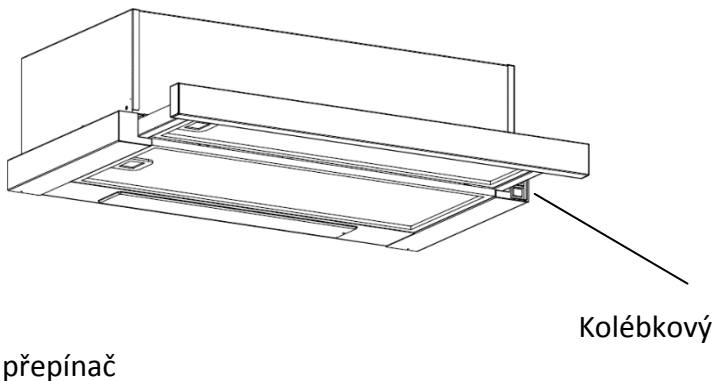


Pokud je mezi stěnou a digestoří mezera, můžete na spodní stranu digestoře dvěma šrouby (3 x 12 mm) namontovat držák ve tvaru L.
 Montáž držáku ve tvaru L je volitelná.
 Poznámka: Trubkový nástavec není součástí výrobku.

<p>VAROVÁNÍ:</p> 	<ul style="list-style-type: none"> ➤ Z bezpečnostních důvodů používejte pouze upevňovací nebo montážní šrouby stejné velikosti, jaká je uvedena v tomto návodu. ➤ Pokud nebudou šrouby nebo upevňovací prvky namontovány podle těchto pokynů, mohlo by dojít k úrazu elektrickým proudem.
--	---

Používání digestoře

Kolébkový přepínač



1. Zasuňte zástrčku napájecího kabelu do zásuvky.
2. Přepněte přepínač ① do polohy x a žárovka se rozsvítí; přepněte přepínač ① do polohy „0 “ a žárovka zhasne.

3. Přepněte přepínač ② do polohy „I “ nebo „II “ a motor poběží „nízkou “ nebo „vysokou “ rychlostí; přepněte přepínač do polohy „0 “ a motor se vypne.

4. Vytažením předního panelu se zapne napájení. A naopak, zasunutím se napájení automaticky vypne.

ŘEŠENÍ PROBLÉMŮ

Závada	Možná příčina	Řešení
Světlo svítí, ale motor nefunguje	Přepínač ventilátoru je vypnutý	Zvolte jinou polohu přepínače ventilátoru.
	Přepínač ventilátoru je porouchaný	Kontaktujte servisní středisko.
	Porucha motoru	Kontaktujte servisní středisko.
Nesvítí světlo, motor nefunguje	Spálené domovní pojistky	Resetujte/vyměňte pojistky.
	Uvolněný nebo odpojený napájecí kabel	Znovu zapojte kabel do síťové zásuvky. Zapněte zásuvku.
Únik oleje	Jednocestný ventil a výstup nejsou řádně utěsněné	Vymontujte jednosměrný ventil a utěsněte.
	Únik z přípojky komína a krytu	Odpojte komín a utěsněte.
Světla nesvítí	Vadné/porouchané žárovky	Vyměňte žárovky podle těchto pokynů.
Nedostatečné sání	Vzdálenost mezi digestoří a sporákem je příliš velká	Umístěte digestoř do správné vzdálenosti.
Digestoř se naklání	Upevňovací šroub není dostatečně utažený	Utáhněte závěsný šroub, aby byla digestoř ve vodorovné poloze.

POZNÁMKA:



Veškeré opravy tohoto spotřebiče musí vyhovovat místním, státním a federálním zákonům. Pokud máte pochybnosti, před zahájením opravy kontaktujte servisní centrum. Před otevřením jednotky ji vždy odpojte od napájení.

ÚDRŽBA A ČIŠTĚNÍ

Pozor:

- Před prováděním údržby nebo čištění se musí digestoř odpojit od síťového napájení. Ujistěte se, že je digestoř vypnutá a zástrčka napájecího kabelu je vytažená ze zásuvky.



- Vnější povrchy jsou náchylné k poškrábání a oděru, proto postupujte podle pokynů pro čištění, abyste zajistili, že dosáhnete co nejlepšího výsledku bez poškození.

OBECNÉ INFORMACE

Čištění a údržba se musí provádět, když je spotřebič vychladlý, což platí zejména pro čištění. Zamezte tomu, aby na povrchu zůstaly zásadité nebo kyselé látky (citronová šťáva, ocet atd.).

NEREZOVÁ OCEL

Nerezovou ocel je nutné pravidelně čistit (např. každý týden), aby byla zajištěna její dlouhá životnost. Vysušte ji čistým suchým hadrem. Lze použít speciální prostředek na čištění nerezové oceli.

POZNÁMKA:

Otírejte povrch po směru struktury nerezové oceli, aby se neobjevily nevzhledné příčné šmouhy.

POVRCH OVLÁDACÍHO PANELU

Vykládaný ovládací panel lze čistit teplou mýdlovou vodou. Před čištěním se ujistěte, že hadr je čistý a důkladně vyždímaný. Po čištění odstraňte zbytky vlhkosti suchým měkkým hadrem.

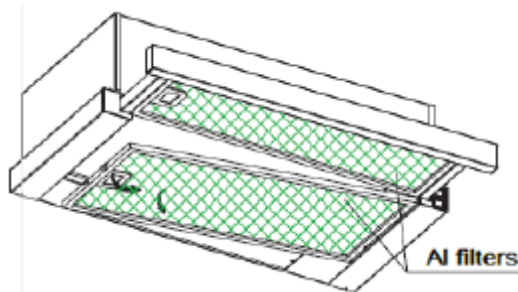
Důležité

Používejte neutrální čisticí prostředky a nepoužívejte agresivní chemikálie, silné čisticí prostředky pro domácnost, ani produkty obsahující brusné materiály, protože by mohly ovlivnit vzhled spotřebiče a případně odstranit potisk na ovládacím panelu; použití takových prostředků povede ke zneplatnění záruky poskytované výrobcem.

MŘÍŽKOVÉ TUKOVÉ FILTRY

Mřížkové filtry lze čistit ručně. Ponořte je na 3 minuty do vody s čisticím prostředkem rozpouštějícím tuky a potom je jemně vykartáčujte měkkým kartáčem. Netlačte příliš, aby se filtry nepoškodily. (Nechte je uschnout na vzduchu mimo přímé sluneční světlo.)

Filtry by se měly mýt odděleně od nádobí a příborů. Doporučuje se nepoužívat oplachovací prostředky.



INSTALACE MŘÍŽKOVÝCH TUKOVÝCH FILTRŮ

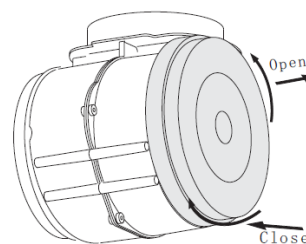
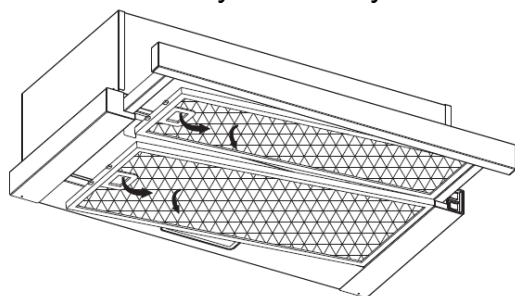
- Instalace filtrů se provádí ve čtyřech krocích.
 - Vložte filtr šikmo do drážek v zadní části digestoře.
 - Stiskněte tlačítko na držadle filtru.
 - Když filtr zapadne na své místo, uvolněte držadlo.

– Opakujte postup pro všechny filtry.

UHLÍKOVÝ FILTR – nedodává se s výrobkem

Filtr s aktivním uhlím lze používat k zachytávání zápachu. Normálně by se měl filtr s aktivním uhlím měnit po třech nebo šesti měsících v závislosti na způsobu vaření. Níže je popsán postup instalace filtru s aktivním uhlím.


- (1) Vysuňte přední část digestoře.
- (2) Nejprve se musí odstranit tukový filtr. Zatlačte pojistku a zatáhněte ji dolů.
- (3) Vyjměte uhlíkový filtr tak, že ho otočíte doleva.
- (4) Nahradte ho novým uhlíkovým filtrem.



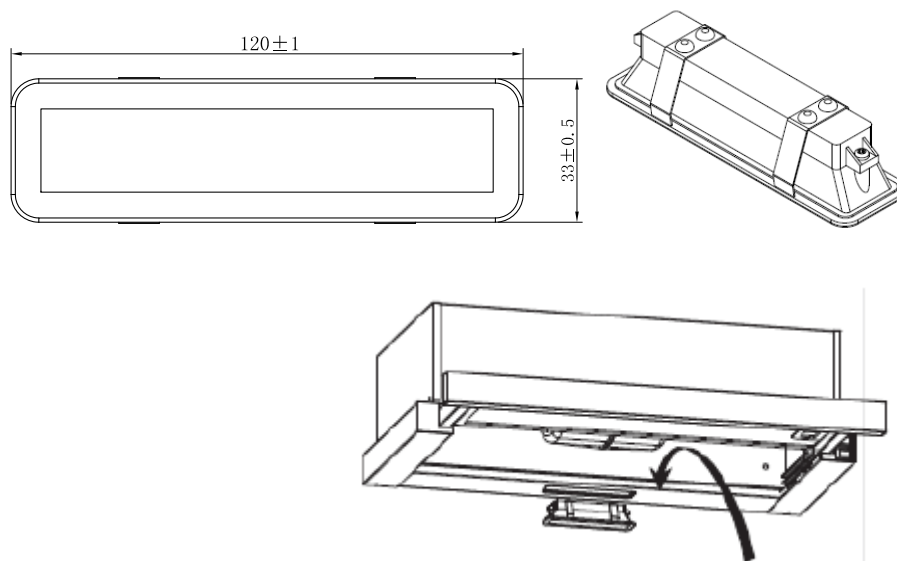
POZNÁMKA:

- Ujistěte se, že je filtr správně zajištěn. Jinak by se uvolnil, což by bylo nebezpečné.
- Po nasazení filtru s aktivním uhlím se sníží odsávací výkon.

VÝMĚNA ŽÁROVKY

<p>Důležité:</p> 	<ul style="list-style-type: none">✧ Výměnu žárovky musí provádět výrobce, jeho servisní zástupce nebo podobně kvalifikovaná osoba.✧ Před jakýmkoli zásahem do spotřebiče vždy vypněte elektrické napájení. Než se žárovky dotknete rukama, ujistěte se, že úplně vychladla.✧ Při manipulaci držte žárovku hadrem nebo v rukavicích, aby se nedostala do kontaktu s potem, protože tím by se zkrátila její životnost.
--	--

- (1) Vypněte spotřebič a odpojte ho od zásuvky.
- (2) Vysuňte přední část digestoře.
- (3) Nejprve se musí odstranit tukový filtr. Zatlačte pojistku a zatáhněte ji dolů.
- (4) Vyměňte žárovku za novou stejného typu: 110-240 V~, 50 Hz, max. 2 W, LED.
 - **Tato žárovka má kód ILCOS D: DBS-2/65-H-120/33.**
 - Max. příkon: 2 W
 - Napětí: 110-240 V AC
 - – Rozměry:



OCHRANA ŽIVOTNÍHO PROSTŘEDÍ



Tento spotřebič je označen v souladu s Evropskou směrnicí 2012/19/EU o odpadních elektrických a elektronických zařízeních z roku 2013, která se týká elektrických a elektronických zařízení (OEEZ). OEEZ obsahuje znečišťující látky (které mohou mít negativní dopad na životní prostředí) i základní prvky (které lze znovu použít). Je důležité, aby OEEZ prošel specifickými úpravami, a znečišťující látky tak byly správně odstraněny a zlikvidovány, a aby byly obnoveny všechny materiály. Jednotlivci mohou hrát důležitou roli při zajišťování toho, aby se OEEZ nestal zátěží pro životní prostředí. Je nezbytné dodržovat několik základních pravidel:

- OEEZ se nesmí likvidovat jako domovní odpad;
- OEEZ by měl být odvezen do vyhrazených sběrných oblastí spravovaných městskou radou nebo registrovanou společností.

V případě objemného OEEZ mohou být v mnoha zemích k dispozici sběry z domácností. Při zakoupení nového spotřebiče lze vrátit starý spotřebič prodejci, který je povinen jej jednorázově bezplatně přijmout, pokud je spotřebič obdobného typu a má stejné funkce jako zakoupený spotřebič.

POZNÁMKA:

Níže je uvedeno, jak je možné omezit celkový dopad na životní prostředí (např. úsporou energie při vaření).

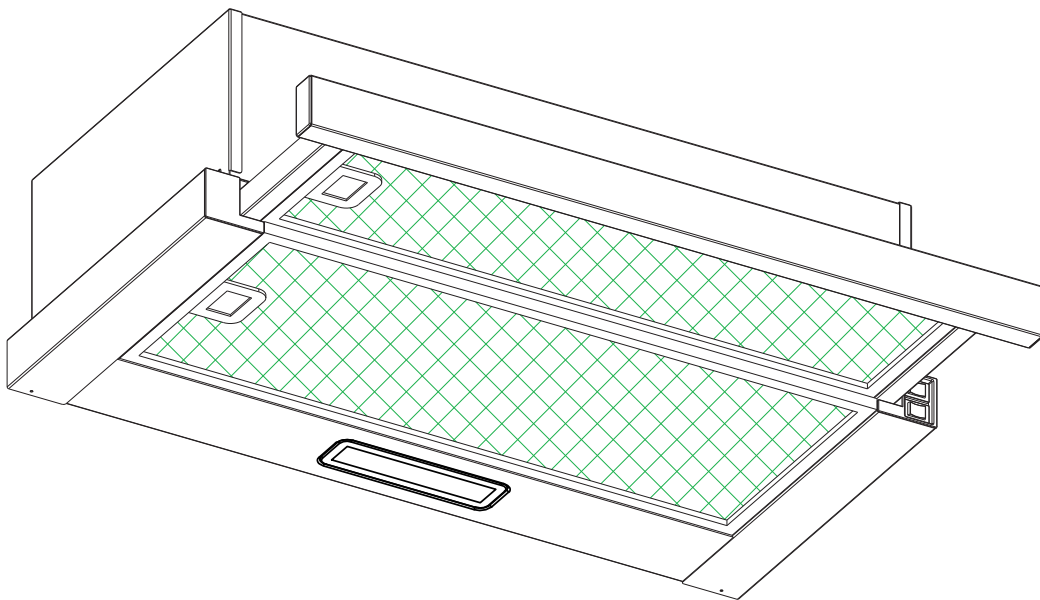
- (1) Namontujte digestoř do správného místa s dobrým větráním.
- (2) Pravidelně digestoř čistěte, aby nebylo blokováno proudění vzduchu.
- (3) Nezapomeňte po vaření vypnout světlo digestoře.
- (4) Nezapomeňte po vaření vypnout digestoř.

INFORMACE PRO ROZEBRÁNÍ

Nerozebírejte spotřebič jiným způsobem, než je uvedeno v návodu. Digestoř nesmí rozebírat uživatel. Na konci životnosti se spotřebič nesmí vyhazovat společně s komunálním odpadem. Doporučení k recyklaci získáte od místního úřadu nebo prodejce.

Abzugshaube

Bedienungshandbuch



Inhalt

- 1.....Sicherheitshinweise
- 2.....Installation
- 3.....Inbetriebnahme Ihrer Abzugshaube
- 4.....Fehlerbehebung
- 5.....Wartung und Reinigung
- 6.....Umweltschutz

SICHERHEITSHINWEISE

Dieses Handbuch beschreibt die ordnungsgemäße Installation und die Verwendung der Dunstabzugshaube. Lesen Sie die Bedienungsanleitung daher sorgfältig durch, auch wenn Sie das Produkt bereits kennen. Das Handbuch sollte für zukünftige Nachschlagezwecke gut aufbewahrt werden.

Was Sie auf keinen Fall tun sollten:

- Lassen Sie die Abzugshaube nicht ohne Fettfilter oder wenn diese übermäßig fettig sind laufen.
- Nicht über einem Herd mit hochgelagertem Grill aufhängen.
- Bratpfannen mit heißem Fett nicht unbeaufsichtigt lassen, weil dieses Feuer fangen könnte.
- Kein offenes Feuer unter der Abzugshaubeentzünden.



- Abzugshaube außer Betrieb nehmen, wenn sie beschädigt ist.
- Keine Gerichte unter der Abzugshaube flambieren.
- **ACHTUNG:** Es kann sein, dass bestimmte Teile der Abzugshaube beim Kochen heiß werden.
- Mindestabstand zwischen Kochfeld und Unterteil der Abzugshaube einhalten. (Wird die Abzugshaube über einem Gasherd angebracht, sollte der Abstand mindestens 65 cm betragen.)
- Die Abluft sollte nicht in einen Rauchfang geleitet werden, der auch für die Abgase einer Gas- oder Ölheizung verwendet wird.



Was Sie immer tun sollten:

- **Wichtig!** Trennen Sie das Gerät vor der Installation und Wartung (Austausch einer Glühbirne) immer von der Stromversorgung.
- Die Abzugshaube muss gemäß der Installationsanleitung aufgehängt und alle Maße müssen eingehalten werden.
- Sämtliche Installationsarbeiten müssen durch einen Fachmann oder qualifizierten Elektriker vorgenommen werden.
- Verpackungsmaterial ordentlich entsorgen. Es kann für Kinder gefährlich werden.
- Bei der Installation und Reinigung auf scharfe Kanten im Inneren der Abzugshaube achten.
- Wird die Abzugshaube über einem Gasherd angebracht, muss der Mindestabstand zwischen Kochtöpfen und Unterteil der Abzugshaube wie folgt sein:
Gasherd: 75 cm
Elektroherd: 65 cm
Mit Kohle oder Öl befeuerte Herde: 75 cm
- Darauf achten, dass der Abluftkanal keine Knicke hat, die 90 Grad überschreiten, da dies die Effizienz der Abzugshaube reduziert.
- **Warnung:** Werden Schrauben nicht richtig festgezogen oder wird das Gerät nicht gemäß dieser Anleitung eingebaut, können Gefahren durch elektrischen Strom entstehen.

Was Sie immer tun sollten:

- Töpfe und Pfannen beim Kochen auf einem Gasherd immer mit einem Deckel schließen.
- Ist die Abzugshaube eingeschaltet, wird die Raumluft abgesaugt. Achten Sie darauf, dass für eine ausreichende Belüftung gesorgt ist. Die Abzugshaube saugt Gerüche ab, aber keinen Wasserdampf.
- Die Abzugshaube ist ausschließlich für den Hausgebrauch bestimmt.



- Falls das Netzkabel beschädigt ist, wenden Sie sich bitte an den Hersteller, seinen Kundendienst oder ähnlich qualifizierte Personen, um es zu ersetzen und eine Gefährdung zu vermeiden.
- Dieses Gerät kann von Kindern ab 8 Jahren und Personen mit eingeschränkter körperlicher, sensorischer oder geistiger Fähigkeiten oder mangelnder Erfahrung und mangelndem Wissen benutzt werden, wenn diese in die sichere Bedienung des Geräts eingewiesen wurden oder beaufsichtigt werden. Kinder dürfen nicht mit dem Gerät spielen. Reinigung und Pflege darf nicht von Kindern ohne Aufsicht erfolgen.



- **Warnung:** Bevor mögliche Anschlüsse zugänglich werden, müssen sämtliche Stromzuleitungen getrennt werden.

Was Sie immer tun sollten:

- **Achtung:** Das Gerät und zugängliche Teile können während des Betriebs heiß werden. Seien Sie daher vorsichtig, wenn Sie diese Teile berühren müssen. Kinder unter acht Jahren sollten vom Gerät ferngehalten werden, es sei denn, sie werden permanent beaufsichtigt.
- Für ausreichende Belüftung sorgen, wenn die Abzugshaube zusammen mit Geräten betrieben wird, die Gas oder Benzin verbrennen.
- Es besteht ein Brandrisiko, wenn die Reinigung nicht entsprechend dieser Anweisungen durchgeführt wird.
- Vorschriften zur Abluft müssen befolgt werden.
- Reinigen Sie das Gerät regelmäßig entsprechend der Anweisungen im Kapitel WARTUNG.
- Verwenden Sie aus Sicherheitsgründen für die Montage nur Schrauben in der Größe, die in diesem Handbuch empfohlen wird.
- Eine detaillierte Anweisung zur Reinigung und deren Häufigkeit finden Sie im Abschnitt „Wartung und Reinigung“ im Bedienungshandbuch.
- Die Reinigung und Wartung des Gerätes darf von Kindern nicht ohne Aufsicht durchgeführt werden.
- Wird die Abzugshaube zusammen mit Geräten betrieben, die nicht durch Strom, sondern durch andere Energiequellen versorgt werden, darf der Unterdruck im Raum 4 Pa (4×10^{-5} bar) nicht übersteigen.
- **WARNUNG:** Feuergefahr: Keine Gegenstände auf Kochfeldern ablegen.
- Keinen Dampfreiniger verwenden.
- Löschen Sie ein Feuer NIEMALS mit Wasser, sondern schalten Sie das Gerät aus und decken die Flammen dann ab, z. B. mit einem Deckel oder einer Löschdecke.

INSTALLATION (ABLUFTE NACH DRAUSSEN)

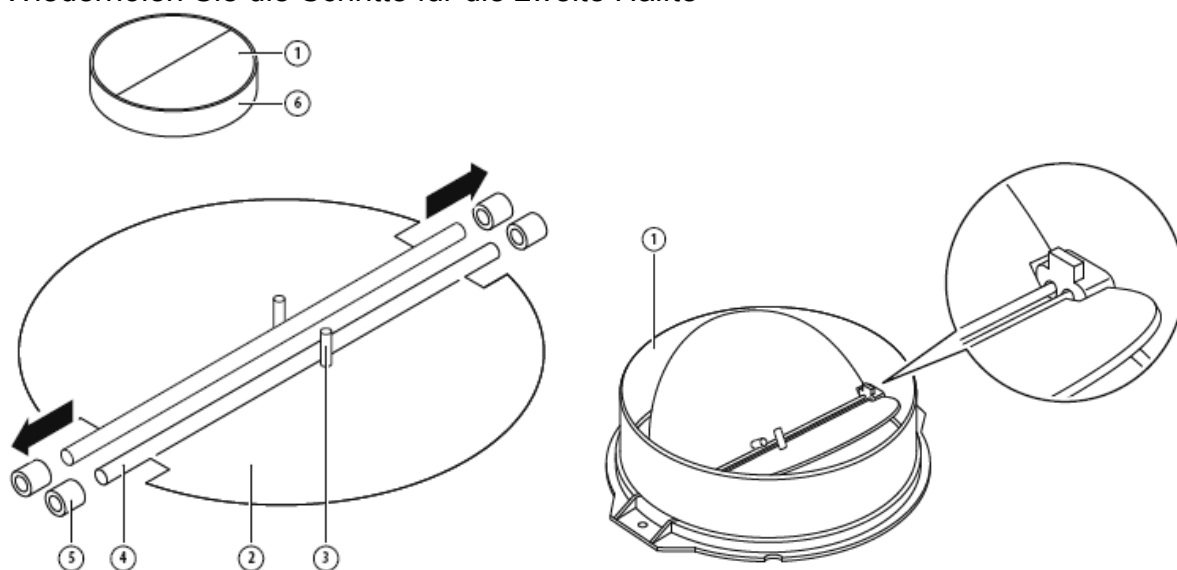
MONTAGE DER V-KLAPPE

**Optionales Zubehör, das nur bei einigen Modellen mitgeliefert wird.*

Wenn die V-Klappe „1“ nicht an der Abzugshaube montiert ist, montieren Sie die Hälften am Korpus. Die Abbildungen dienen lediglich der Veranschaulichung der Montage einer V-Klappe. Der Auslass kann abhängig vom Modell und der Konfiguration variieren.

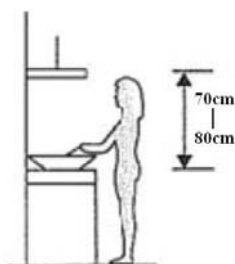
Vorgehensweise für die Montage der V-Klappe 1:

- Montieren Sie die beiden Teile „2“ am Korpus „6“.
- Der Stift „3“ muss nach oben zeigen.
- Die Achse „4“ wird in die Öffnungen „5“ am Korpus eingeführt.
- Wiederholen Sie die Schritte für die zweite Hälfte

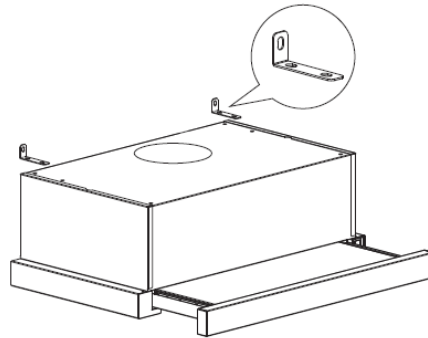


INSTALLATION (Wandmontage)

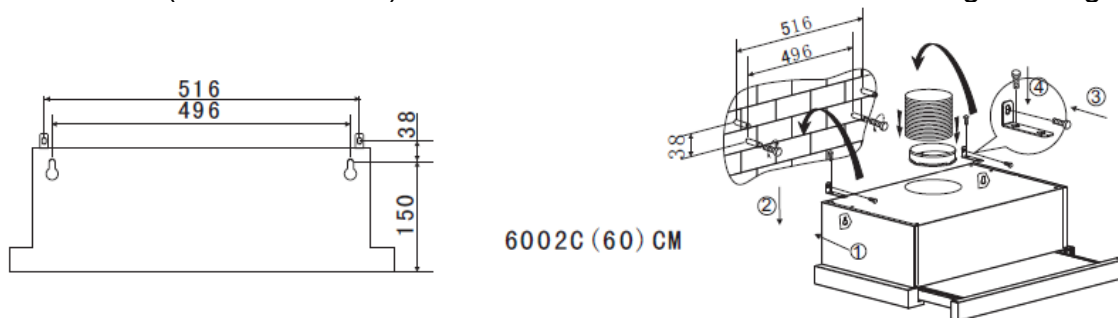
1. Markieren Sie die Bohrlöcher für die Aufhängung der Abzugshaube.



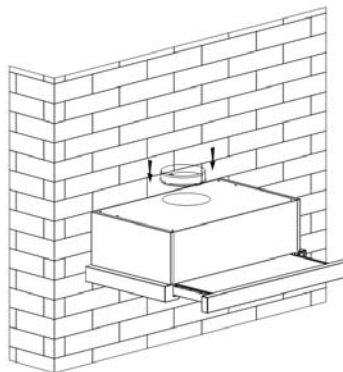
2. Montieren Sie die L-Halterung mit zwei Schrauben (4 mm x 10 mm) oben an der Haube.



3. Die Abzugshaube wird mit vier (4) Schrauben (4 mm x 30 mm) und Dübeln montiert.
 Die Abzugshaube wird mit zwei (2) Schrauben (4 mm x 30 mm) und Dübeln an der Wand hinter der Haube montiert. Dann wird die Abzugshaube mit zwei (2) Schrauben (4 mm x 30 mm) und Dübeln durch die kleine L-Halterung befestigt.

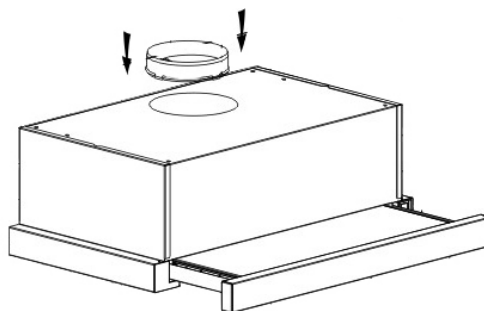


4. Befestigen Sie das Ein-Wege-Ventil am Luftauslass der Abzugshaube.

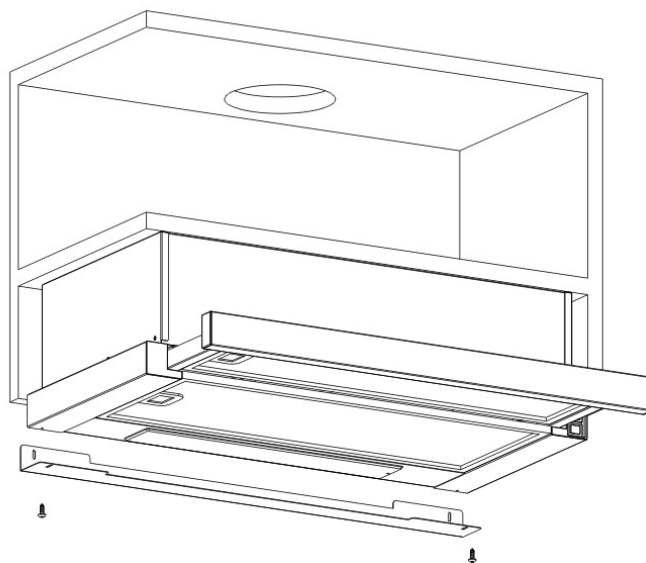
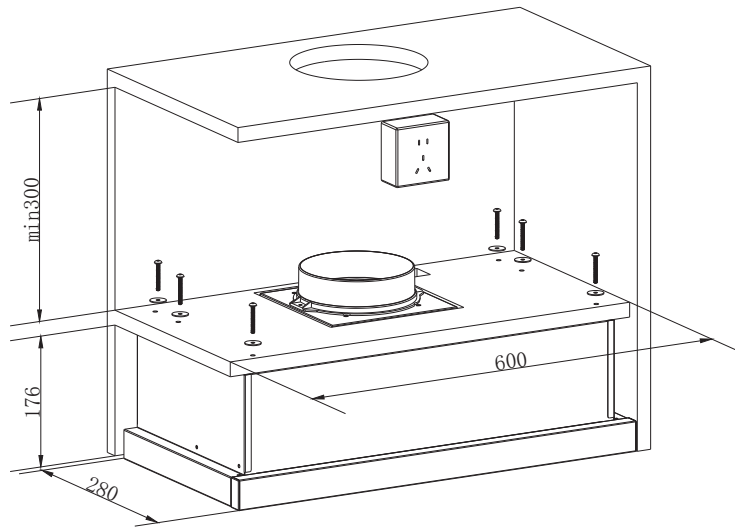
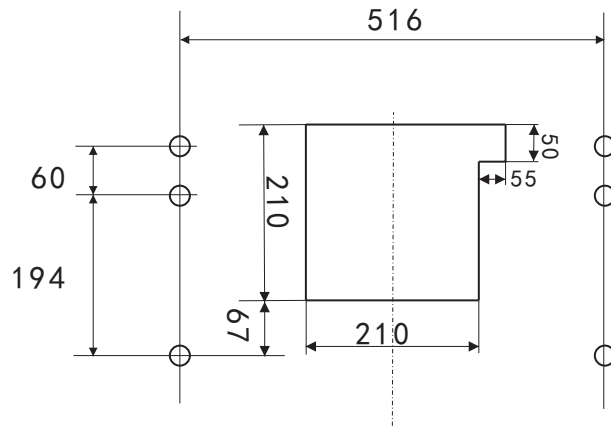


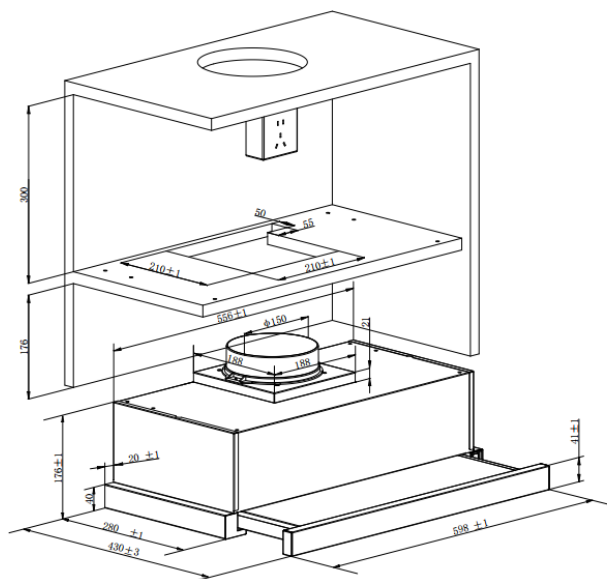
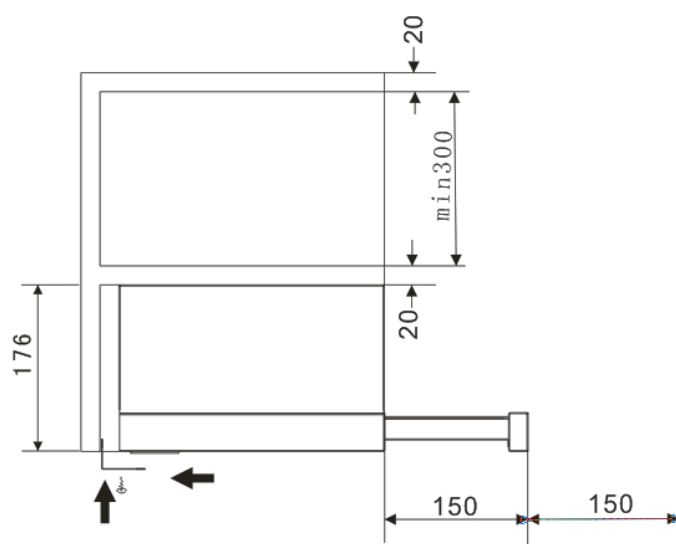
INSTALLATION (Gehäusemontage)

1. Befestigen Sie das Ein-Wege-Ventil am Luftauslass der Abzugshaube.




2. Die Abzugshaube wird mit sechs (6) Schrauben (4 x35 mm) und Unterlegscheiben am Schrank befestigt.



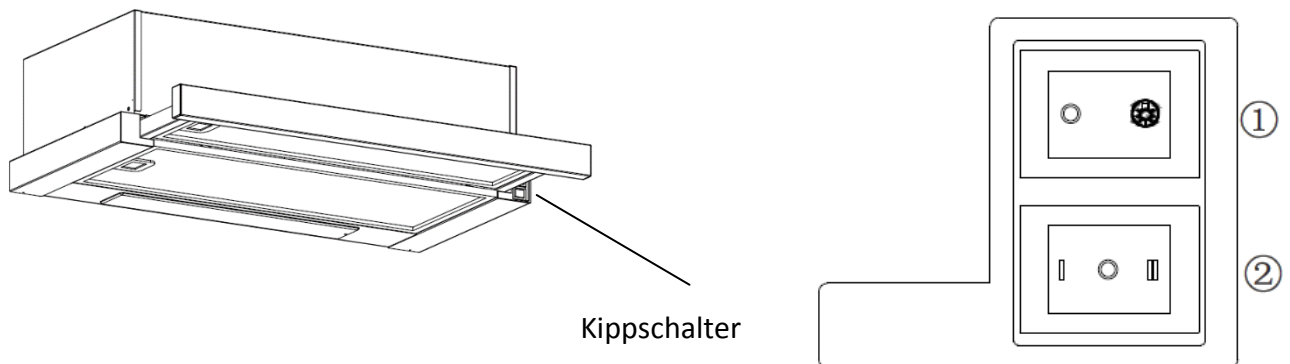


Bei einer Lücke zwischen Wand und Abzugshaube können Sie die L-Halterung mit zwei (2) Schrauben (3 mm x 12 mm) an der Unterseite der Haube befestigen. Die L-Halterung kann wahlweise angebracht werden.
Anmerkung: Das Verlängerungsrohr ist nicht im Lieferumfang enthalten.

<p>WARNUNG:</p> 	<ul style="list-style-type: none"> ➤ Verwenden Sie aus Sicherheitsgründen für die Montage nur Schrauben in der Größe, die in diesem Handbuch empfohlen wird. ➤ Werden Schrauben nicht richtig festgezogen oder wird das Gerät nicht gemäß dieser Anleitung eingebaut, können Gefahren durch elektrischen Strom entstehen.
--	---

Inbetriebnahme der Abzugshaube

Kippschalter



1. Den Stecker in die Wandsteckdose stecken.
2. Den Schalter ① auf „0 “ drücken, die Lampe leuchtet, Schalter ① auf „0 “ drücken. Die Lampe erlischt.
3. Den Schalter ② auf „I “ drücken. Der Motor läuft mit den beiden Drehzahlen „Niedrig-Hoch “. Drücken Sie „0 “, um den Motor abzuschalten.
4. Durch Herausziehen der Frontblende wird die Stromversorgung aktiviert. Durch Einschoben wird die Stromversorgung automatisch getrennt.

FEHLERBEHEBUNG

FEHLER	Mögliche Ursachen	Lösung
Licht an, aber Motor läuft nicht.	Ventilator ist ausgeschaltet.	Lüftergeschwindigkeit auswählen.
	Lüfterschalter defekt.	Kundendienstzentrum kontaktieren.
	Motor läuft nicht.	Kundendienstzentrum kontaktieren.
Licht und Motor funktionieren nicht.	Stromsicherung ist durchgebrannt.	Sicherungen wieder einschalten/austauschen.
	Stromkabel ist lose oder nicht angeschlossen.	Kabel wieder in die Steckdose stecken. Stromversorgung einschalten.
Es tritt Öl aus.	Rückschlagventil und Auslass sind nicht dicht.	Rückschlagventil abnehmen und mit Dichtmaterial abdichten.
	Verbindung zwischen Abzug und Abzugshaube ist undicht.	Abzug abnehmen und abdichten.

Licht funktioniert nicht.	Defekte/fehlerhafte Glühbirnen	Glühbirnen gemäß dieser Anleitung austauschen.
Absaugen nicht stark genug.	Abstand zwischen Abzugshaube und Kochfeld ist zu groß.	Abzugshaube erneut mit dem richtigen Abstand anbringen.
Abzugshaube hängt herunter.	Befestigungsschraube ist nicht fest.	Schraube anziehen, sodass die Abzugshaube wieder gerade hängt.

HINWEIS:

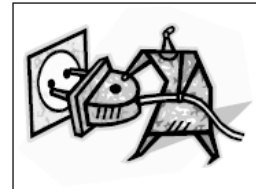


Alle elektrischen Reparaturen dieses Geräts müssen der geltenden regionalen und bundesweiten Gesetzgebung entsprechen. Wenn Sie Zweifel haben, kontaktieren Sie den Kundendienst, bevor sie die oben stehenden Maßnahmen durchführen. Gerät immer zuerst von der Stromversorgung trennen, bevor das Gehäuse geöffnet wird.

WARTUNG UND REINIGUNG

Vorsicht:

- Vor der Wartung oder Reinigung die Abzugshaube von der Stromversorgung trennen. Überprüfen Sie, ob die Abzugshaube ausgeschaltet ist und ob der Stecker aus der Steckdose gezogen ist.



- Da die äußeren Oberflächen empfindlich für Kratzer sind, befolgen Sie diese Reinigungshinweise für ein optimales Ergebnis ohne Beschädigungen.

ALLGEMEINES

Die Reinigung und Wartung sollte erfolgen, wenn das Gerät abgekühlt ist. Keine Alkali- oder säurehaltigen Mittel (Zitronensaft, Essig usw.) auf der Oberfläche hinterlassen.

EDELSTAHL

Die Oberfläche aus Edelstahl muss regelmäßig (z. B. wöchentlich) gereinigt werden, damit sie lange hält. Mit einem weichen Tuch abtrocknen. Es kann ein spezieller Edelstahlreiniger verwendet werden.

HINWEIS:

Wischen Sie immer in der Richtung der Körnung des Edelstahls, sodass keine unschönen Kratzmuster entstehen.

OBERFLÄCHE DES BEDIENFELDS

Das eingelassene Bedienfeld kann mit warmem Seifenwasser gereinigt werden. Das saubere Tuch vor dem Reinigen gut ausdrücken. Restliche Feuchtigkeit mit einem weichen trockenen Tuch abreiben.

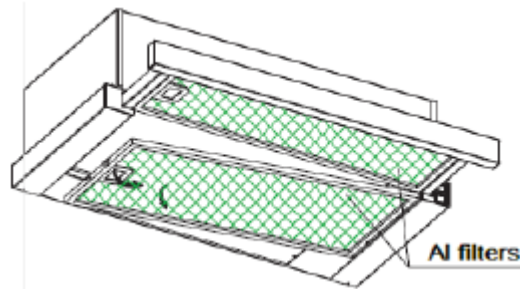
Wichtig

Verwenden Sie neutrale Reinigungsmittel und keine aggressiven Chemikalien oder Scheuermittel, da diese die Oberfläche angreifen und ggf. die Aufdrucke auf und am Bedienfeld entfernt werden; zudem verfällt die Garantie.

FETTFILTER

Die Netzfilter können von Hand gereinigt werden. Filter in Wasser mit fettlösendem Reiniger eintauchen und zirka drei Minuten lang wirken lassen. Dann vorsichtig mit einer weichen Bürste abbürsten. Nicht zu viel Druck ausüben, da dies die Filter beschädigen kann. (An der Luft, nicht in direktem Sonnenlicht, trocknen lassen.)

Filter sollten getrennt von anderen Küchenutensilien gereinigt werden. Eine Verwendung von Klarspüler wird nicht empfohlen.



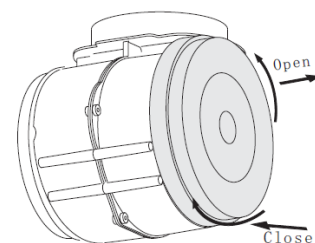
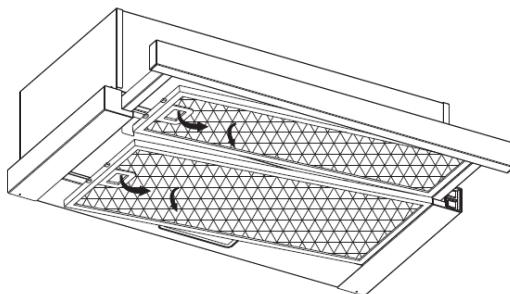
EINSETZEN DER FETTFILTER

- So setzen Sie die Filter in vier Schritten ein:
 - Setzen Sie die Filter in die Schlitze an der Rückseite der Abzugshaube ein.
 - Drücken Sie auf den Knopf am Filtergriff.
 - Lassen Sie den Griff los, sobald sich der Filter in der richtigen Position befindet.
 - Setzen Sie alle Filter auf diese Weise ein.

KOHLEFILTER – nicht im Lieferumfang enthalten

Aktivkohlefilter schließen unangenehme Gerüche ein. Normalerweise sollte ein Aktivkohlefilter entsprechend der Kochgewohnheiten alle drei bis sechs Monate gewechselt werden. Den Aktivkohlefilter wie folgt einsetzen:

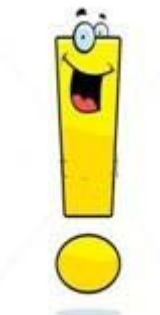
- (1) Das Gleitset der Haube zur Seite schieben.
- (2) Der Fettfilter muss zuerst abgenommen werden. Die Sperre drücken und nach unten ziehen.
- (3) Den Aktivkohlefilter im Uhrzeigersinn drehen, um ihn herauszunehmen.
- (4) Den neuen Aktivkohlefilter einsetzen.



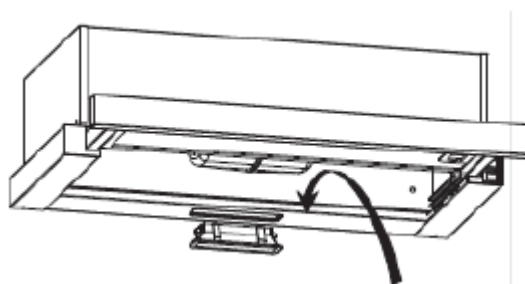
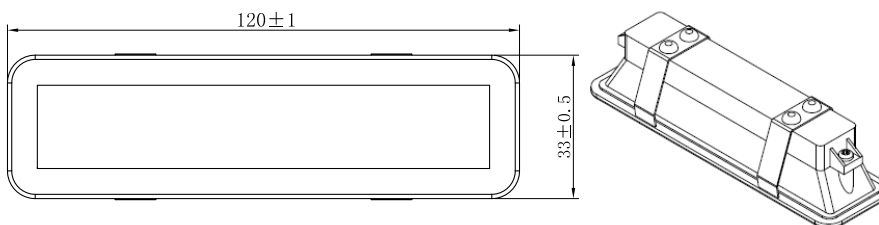
HINWEIS:

- Prüfen Sie, ob der Filter sicher verankert ist. Anderenfalls kann er herausfallen und gefährliche Unfälle verursachen.
- Bei Verwendung eines Aktivkohlefilters wird die Absaugkraft herabgesetzt.

AUSTAUSCH DER LEUCHTMITTEL

<p>Wichtig:</p> 	<ul style="list-style-type: none">✧ Die Lampe muss durch den Hersteller, einen Kundendienstmitarbeiter oder eine ähnlich qualifizierte Fachleute ausgetauscht werden.✧ Gerät immer von der Stromversorgung trennen, bevor Reinigungs-, Wartungs- oder Reparaturarbeiten am Gerät durchgeführt werden. Leuchtmittel vor dem Entfernen vollständig abkühlen lassen, bevor sie angefasst wird.✧ Leuchtmittel mit einem Tuch oder mit Handschuhen wechseln, damit kein Schweiß damit in Berührung kommt. Dies kann die Lebensdauer der Lampe verkürzen.
---	---

- (1) Das Gerät ausschalten und ausstecken.
- (2) Das Gleitset der Haube zur Seite schieben.
- (3) Der Fettfilter muss zuerst abgenommen werden. Die Sperre drücken und nach unten ziehen.
- (4) Gegen eine Lampe desselben Typs austauschen: 110-240 V-50 Hz, max. 2 W LED
 - ILCOS D Bezeichnung für diese Lampe lautet: DBS-2/65-H-120/33.
 - Max Wattzahl: 2 W
 - Spannungsbereich: AC 110-240 V
 - Abmessungen:



UMWELTSCHUTZ:



Dieses Gerät ist entsprechend der EU-Richtlinie 2012/19/EG für Elektro- und Elektronik-Altgeräte 2013 für Elektro- und Elektronik-Geräte (WEEE) gekennzeichnet. Unter die WEEE fallende Elektro- und Elektronik-Altgeräte enthalten sowohl umweltschädliche Stoffe (die negativen Folgen für die Umwelt verursachen) als auch wiederverwendbare Grundstoffe. Es ist wichtig, dass die Elektro- und Elektronik-Altgeräte einer spezifischen Behandlung unterzogen werden, um die Schadstoffe korrekt zu entfernen und zu entsorgen und alle Materialien zurückzugewinnen. Jeder kann dazu beitragen, dass Altelektrogeräte nicht zu einem Umweltproblem werden. Daher sollten unbedingt einige Grundregeln beachtet werden:

- Elektro- und Elektronik-Altgeräte dürfen nicht als Hausmüll entsorgt werden;
- Elektro- und Elektronik-Altgeräte sollten in speziellen Sammelstellen entsorgt werden, die von der Stadtverwaltung oder einem registrierten Unternehmen verwaltet werden.

In vielen Ländern sind inländische Sammlungen für große Elektro- und Elektronik-Altgeräte verfügbar. Bei Kauf eines neuen Geräts können Altgeräte möglicherweise an Händler, die einen kostenlosen 1-zu-1-Umtausch vornehmen müssen, zurückgegeben werden, solange das Gerät dem selben Typ entspricht und über die gleichen Funktionen wie das bereitgestellte Gerät verfügt.

HINWEIS:

Im Folgenden wird erläutert, wie die Umwelt durch den Kochvorgang möglichst wenig belastet wird (z. B. Energieverbrauch).

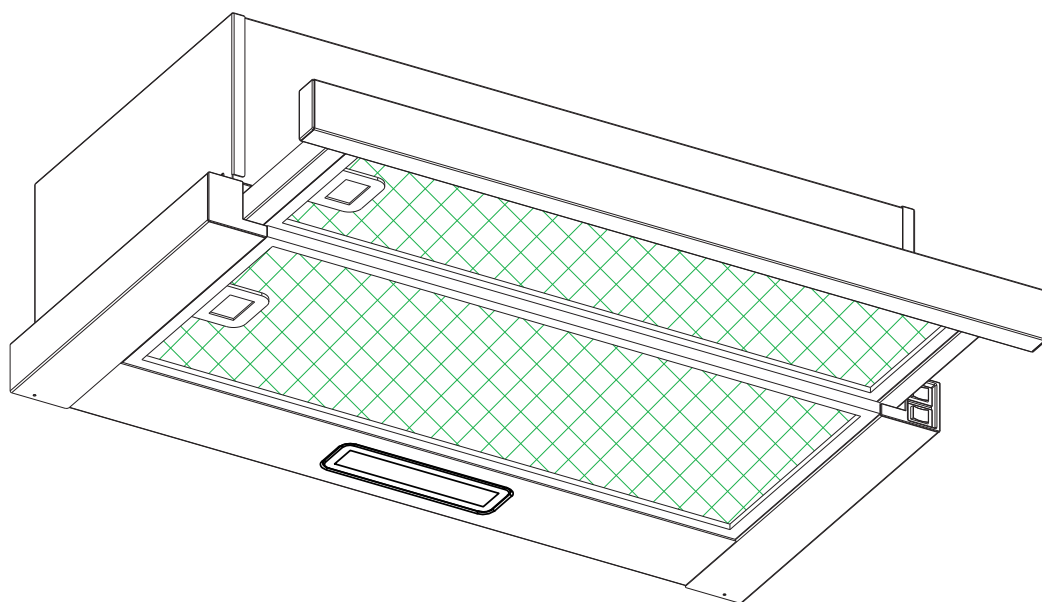
- (1) Die Abzugshaube an einem gut belüfteten Ort installieren.
- (2) Abzugshaube regelmäßig reinigen, sodass die Lüftung nicht blockiert wird.
- (3) Das Licht an der Abzugshaube nach dem Kochen immer ausschalten.
- (4) Abzugshaube nach dem Kochen immer ausschalten.

INFORMATIONEN FÜR EINE DEMONTAGE

Das Gerät nur wie in der Benutzeranleitung beschrieben öffnen oder aufschrauben. Der Verbraucher sollte das Gerät nicht vollständig in seine Einzelteile zerlegen. Am Ende seiner Lebensdauer das Gerät nicht mit dem Hausmüll entsorgen. Informieren Sie sich bei der örtlichen Behörde oder beim Abfallentsorger, wie Ihr Gerät entsorgt werden muss.

Hotte aspirante

Manuel d' instruction



Sommaire

1.....	Consignes de sécurité
2.....	Installation
3.....	Commencez à utiliser votre hotte aspirante
4.....	Dépannage
5.....	Entretien et nettoyage
6.....	Protection de l' environnement

CONSIGNES DE SÉCURITÉ

Ce manuel explique comment installer et utiliser correctement votre hotte aspirante. Veuillez le lire attentivement avant toute utilisation même si vous connaissez bien le produit. Le manuel doit être conservé en lieu sûr pour pouvoir le consulter en cas de besoin.

À ne jamais faire :

- Ne tentez pas d'utiliser la hotte aspirante sans les filtres à graisse ou si les filtres sont excessivement encrassés !
- Ne l'installez jamais au-dessus d'une cuisinière avec un gril placé en hauteur.
- Ne laissez pas les poêles à frire sans surveillance pendant leur utilisation car les huiles ou les graisses surchauffées pourraient prendre feu.
- Ne laissez jamais des flammes nues sous la hotte aspirante.



- Si la hotte aspirante est endommagée, n'essayez pas de l'utiliser.
- Ne flambez rien sous la hotte aspirante.
- ATTENTION : Les parties accessibles peuvent devenir chaudes lors de l'utilisation avec des appareils de cuisson.
- La distance minimale entre la surface de support pour les récipients de cuisson sur la plaque de cuisson et la partie la plus basse de la hotte aspirante. (Quand la hotte aspirante est située au-dessus d'une cuisinière à gaz, cette distance doit être d'au moins 65 cm)
- L'air ne doit pas être évacué dans un conduit utilisé pour les fumées provenant d'appareils de combustion à gaz ou fonctionnant avec d'autres carburants.



À toujours faire :

- Important ! Coupez toujours l'alimentation électrique durant l'installation et l'entretien, comme par exemple quand vous changez une ampoule.
- La hotte aspirante doit être installée conformément aux instructions d'installation et toutes les mesures doivent être respectées.
- Tout le travail d'installation doit être effectué par une personne compétente ou un électricien qualifié.
- Veuillez faire attention quand vous jetez l'emballage. Les enfants pourraient se blesser avec.
- Faites attention aux bords coupants à l'intérieur de la hotte aspirante durant l'installation et le nettoyage.
- Quand la hotte aspirante est située au-dessus d'une cuisinière, la distance minimale entre la surface de support pour les récipients de cuisson sur la plaque de cuisson et la partie la plus basse de la hotte aspirante doit être la suivante :
Cuisinières à gaz : 75 cm
Cuisinières électriques : 65 cm
Cuisinières à charbon ou à mazout : 75 cm
- Vérifiez que les coudes des conduits ne sont pas inférieurs à 90 degrés car cela réduirait l'efficacité de la hotte aspirante.
- Avertissement : Si les vis ou le dispositif de fixation ne sont pas installés conformément à ces instructions, cela peut provoquer des dangers électriques

À toujours faire :

- Placez toujours le couvercle sur les casseroles et les poêles quand vous cuisinez sur une cuisinière à gaz.
- En mode extraction, l'air de la pièce est éliminé par la hotte aspirante. Vérifiez que des mesures de ventilation correctes sont adoptées. La hotte aspirante élimine les odeurs de la pièce mais pas la vapeur.
- La hotte aspirante est réservée à un usage domestique.



- Si le cordon d'alimentation est endommagé, faites-le remplacer par le fabricant, le service après-vente ou un électricien qualifié pour éviter tout risque d'accident.
- Cet appareil peut être utilisé par des enfants âgés de 8 ans et plus et par des personnes à capacités physiques, sensorielles ou intellectuelles réduites ou sans expérience et connaissances, s'ils sont sous une surveillance appropriée ou bien s'ils ont été informés quant à l'utilisation de l'appareil de manière sûre, et s'ils comprennent les risques impliqués. Les enfants ne doivent pas jouer avec l'appareil. Le nettoyage et l'entretien ne doivent pas être effectués par des enfants sans surveillance.



- **Avertissement :** Avant d'accéder aux bornes, il faut débrancher tous les circuits d'alimentation.

À toujours faire :

- **Attention :** L'appareil et ses parties accessibles peuvent devenir chauds durant le fonctionnement. Évitez de toucher les éléments qui chauffent. Les enfants âgés de moins de 8 ans doivent rester à distance à moins d'être surveillés en permanence.
- Il faut disposer d'une ventilation appropriée dans la pièce où la hotte aspirante est utilisée en même temps que d'autres appareils brûlant du gaz ou d'autres carburants.
- Il existe un risque d'incendie si le nettoyage n'est pas effectué conformément aux instructions.
- Les réglementations relatives à l'évacuation de l'air doivent être respectées.
- Nettoyez régulièrement votre appareil en suivant la méthode fournie dans le chapitre ENTRETIEN.
- Pour des raisons de sécurité, veuillez n'utiliser que des vis de fixation ou de montage de la même taille que celle recommandée dans ce manuel d'instruction.
- En ce qui concerne les détails sur la méthode et la fréquence de nettoyage, veuillez vous reporter au paragraphe relatif à l'entretien et au nettoyage dans le manuel d'instruction.
- Le nettoyage et l'entretien ne doivent pas être effectués par des enfants sans surveillance.
- Quand la hotte aspirante et les appareils alimentés par autre chose que de l'électricité fonctionnent simultanément, la pression négative à l'intérieur de la pièce ne doit pas dépasser 4 Pa (4×10^{-5} bar).
- **AVERTISSEMENT :** Risque d'incendie : ne rangez aucun objet sur les surfaces de cuisson.
- Il ne faut pas utiliser de nettoyeur vapeur.
- Ne tentez JAMAIS d'éteindre un incendie avec de l'eau, mais éteignez l'appareil puis couvrez la flamme par exemple avec un couvercle ou une couverture pare-flammes.

INSTALLATION (ÉVENT À L' EXTÉRIEUR)

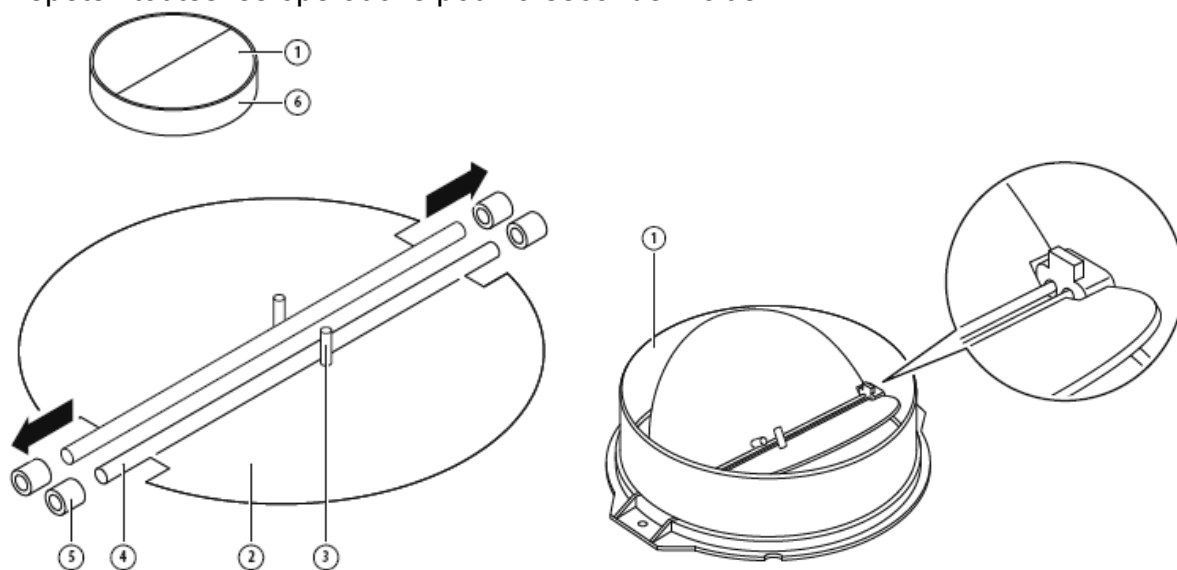
MONTAGE DU RABAT EN V

**Accessoires optionnel fournis uniquement sur certains modèles.*

Si la hotte aspirante n'a pas de rabat en V 1 monté, vous devez monter les moitiés sur son corps. Les images ne montrent qu'un exemple de la façon de monter le rabat en V, la sortie peut varier en fonction des modèles et de la configuration.

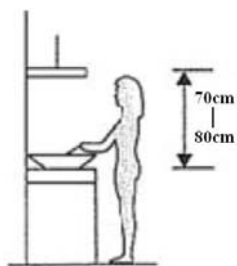
Pour monter le rabat en V 1, vous devez :

- Monter deux moitiés 2 dans le corps 6 ;
- Une cheville 3 doit être dirigée vers le haut ;
- L'axe 4 doit être introduit dans les trous 5 sur le corps ;
- Répétez toutes les opérations pour la seconde moitié.

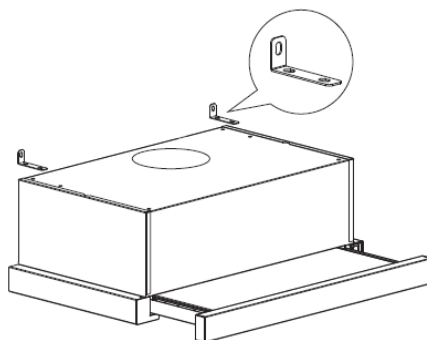


INSTALLATION (murale)

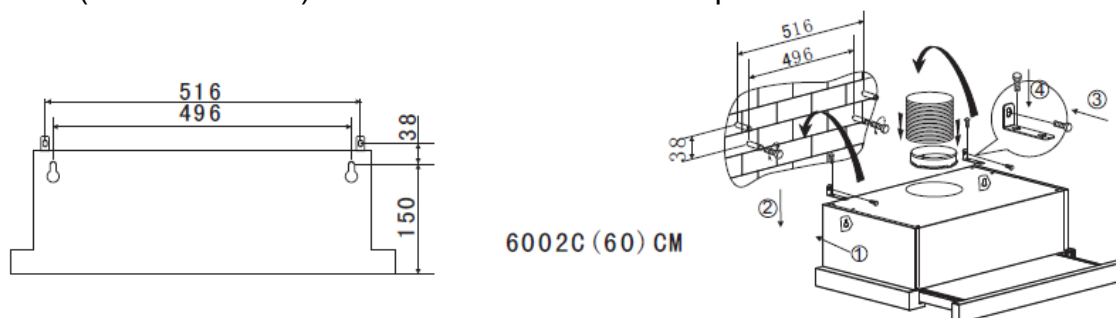
1. Choisissez l'emplacement des trous pour fixer la hotte aspirante.



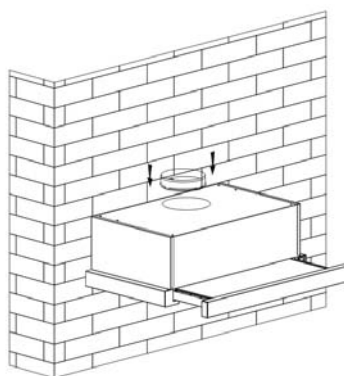
2. Installez l'étrier en L sur le dessus de la hotte avec deux vis (4 mm x 10 mm).



- La hotte aspirante est fixée au mur par 4 vis (4 mm x 30 mm) et des chevilles. Fixez la hotte aspirante sur le mur au niveau de l'arrière de la hotte aspirante avec 2 vis (4 mm x 30 mm) et des chevilles. Puis fixez la hotte aspirante sur le mur avec 2 vis (4 mm x 30 mm) et des chevilles à travers le petit étrier en L.

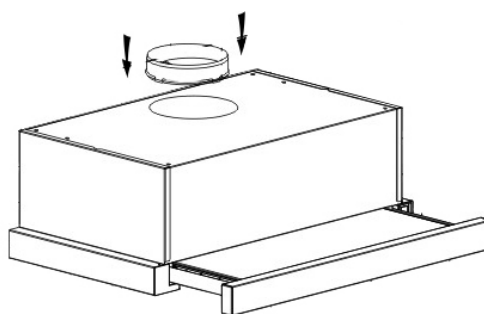


- Fixez le clapet anti-refoulement sur la sortie d'air de la hotte aspirante.

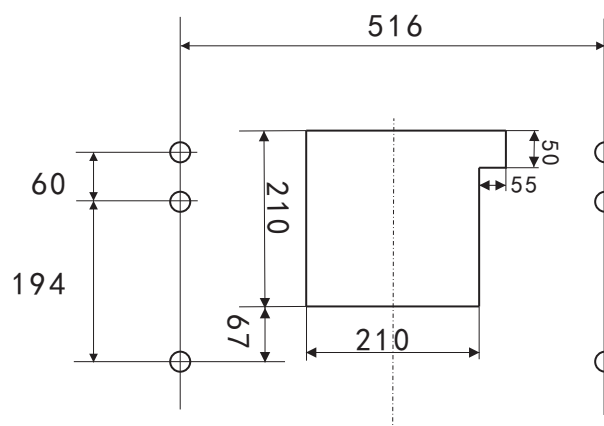


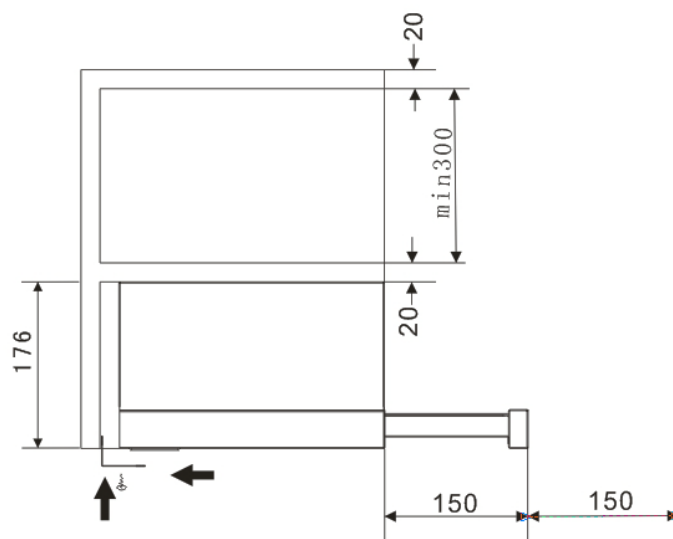
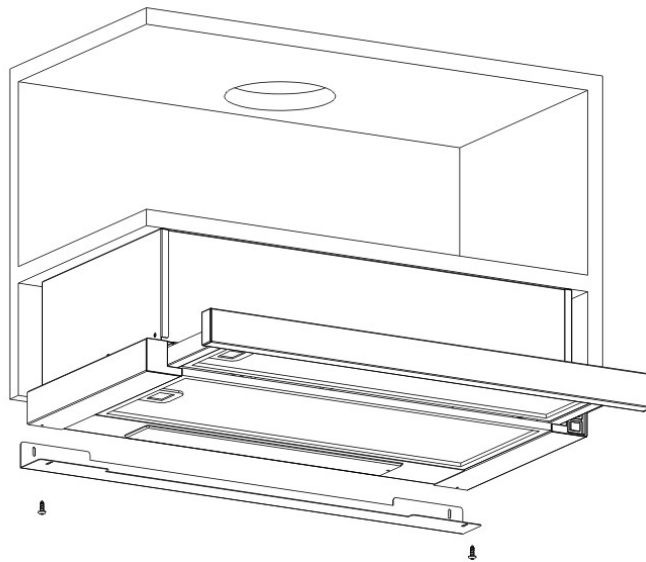
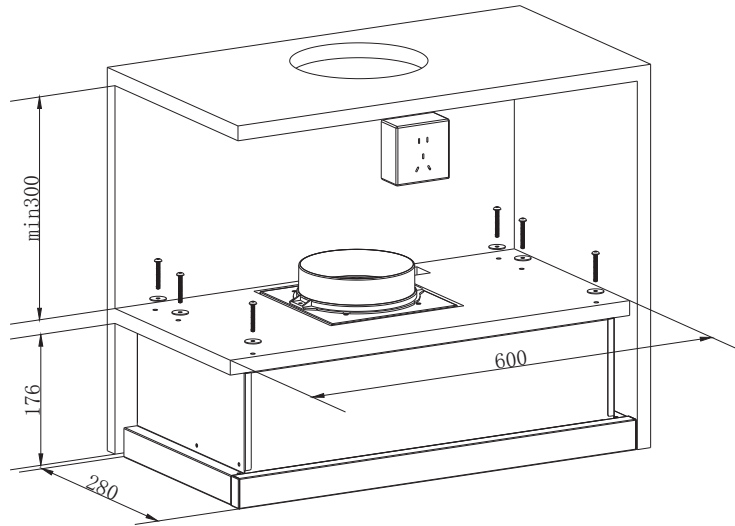
INSTALLATION (sur un meuble)

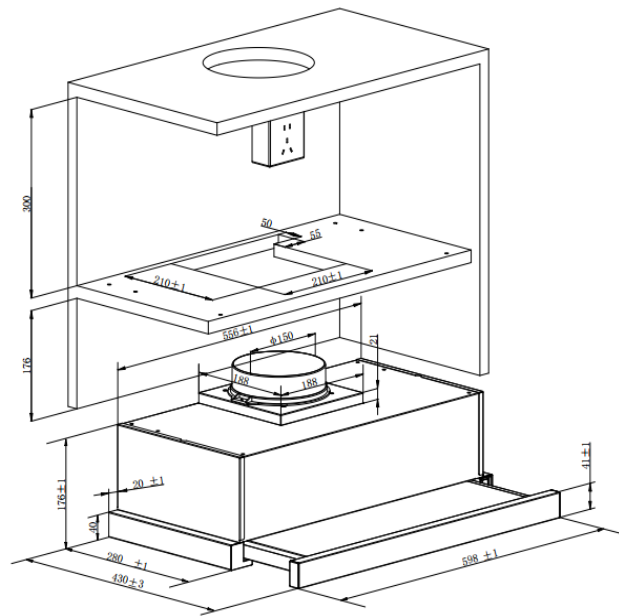
- Fixez le clapet anti-refoulement sur la sortie d'air de la hotte aspirante.



- Montez la hotte aspirante sur le meuble avec les 6 vis (4x35 mm) et les rondelles plates.







S'il y a un espace vide entre le mur et la hotte, vous pouvez installer l'étrier en L sur le bas de la hotte avec deux vis (3 x 12 mm).
L'installation de l'étrier en L est facultative.
Remarque : la gaine extensible n'est pas fournie avec le produit.

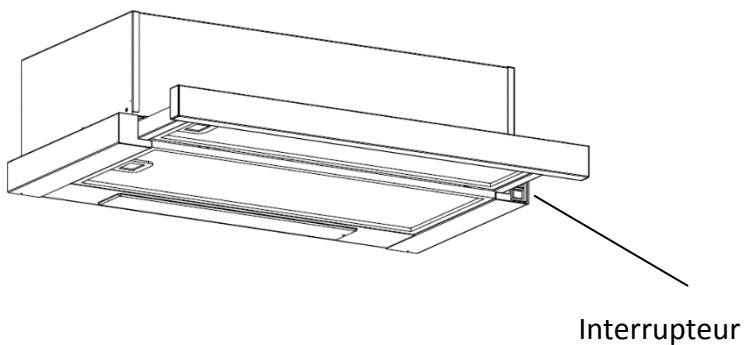
AVERTISSEMENT :



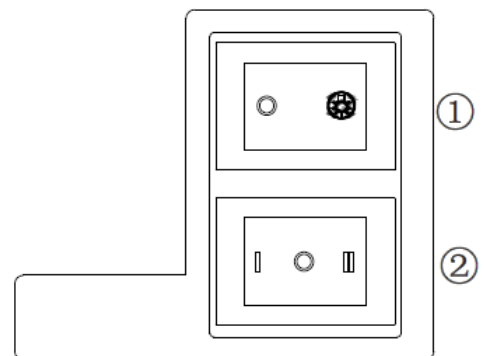
- Pour des raisons de sécurité, veuillez n'utiliser que des vis de fixation ou de montage de la même taille que celle recommandée dans ce manuel d'instruction.
- Si les vis ou le dispositif de fixation ne sont pas installés conformément à ces instructions, cela peut provoquer des dangers électriques.

Commencez à utiliser votre hotte aspirante

Interrupteur basculant



basculant



1. Branchez la fiche dans la prise.

2. Appuyez l'interrupteur ① sur **I**, la lampe s' allumera ; appuyez l' interrupteur ① sur "0" , la lampe s' éteindra.

3. Appuyez l' interrupteur ② sur "I, II" , le moteur s' allumera sur les deux vitesses "basse, élevée" , appuyez-le sur "0" , le moteur s' éteindra.
4. Le courant sera connecté quand le panneau frontal sera débranché. Inversement, le courant sera automatiquement déconnecté.

DÉPANNAGE

Problème	Cause possible	Solution
La lumière est allumée mais le moteur ne fonctionne pas	Le ventilateur est éteint	Sélectionnez une position du commutateur du ventilateur.
	Panne du commutateur du ventilateur	Contactez le centre d'assistance.
	Panne du moteur	Contactez le centre d'assistance.
La lumière ne fonctionne pas, le moteur ne fonctionne pas	Les fusibles de la maison ont sauté	Remettez/Remplacez les fusibles.
	Cordon d'alimentation lâche ou débranché	Rebranchez le cordon à la prise de courant. Mettez sous tension la prise de courant.
Fuite d'huile	Le clapet anti-refoulement et la sortie ne sont pas bien étanches	Ôtez le clapet anti-refoulement et rendez-le étanche avec du mastic.
	Fuite au niveau du raccordement de la cheminée et du couvercle	Ôtez la cheminée et rendez-la étanche.
Les lumières ne fonctionnent pas	Ampoules cassées/défectueuses	Changez les ampoules selon ces instructions.
Aspiration insuffisante	La distance entre la hotte aspirante et la plaque de cuisson au gaz est trop importante	Remontez la hotte aspirante à la bonne distance.
La hotte aspirante est inclinée	La vis de fixation n'est pas suffisamment serrée	Serrez la vis de suspension et placez-la à l'horizontale.

REMARQUE :



Toute réparation électrique sur cet appareil doit être conforme aux lois locales et nationales. Veuillez contacter le centre d'assistance si vous avez des doutes avant d'effectuer toute réparation. Débranchez toujours l'unité de la source d'alimentation quand vous ouvrez l'unité.

ENTRETIEN ET NETTOYAGE

Attention :

- Avant d'effectuer l'entretien ou le nettoyage, vous devez débrancher la hotte aspirante de l'alimentation. Vérifiez que la



hotte aspirante est éteinte au niveau de la prise murale et que la fiche est débranchée.

- Les surfaces extérieures sont susceptibles d'être rayées et de subir des abrasions, veuillez donc respecter les instructions de nettoyage pour garantir le meilleur résultat possible sans dégât.

GÉNÉRALITÉS

Le nettoyage et l'entretien doivent être effectués quand l'appareil est froid, en particulier pour le nettoyage. Évitez de laisser des substances alcalines ou acides (jus de citron, vinaigre, etc.) sur les surfaces.

ACIER INOXYDABLE

Il faut nettoyer régulièrement (par ex. une fois par semaine) l'acier inoxydable pour garantir une longue durée de vie. Essuyez-le avec un chiffon doux et sec. Un liquide de nettoyage spécialement conçu pour l'acier inoxydable peut être utilisé.

REMARQUE :

Veillez à essuyer l'appareil le long du grain de l'acier inoxydable pour éviter l'apparition de rayures croisées.

SURFACE DU PANNEAU DE COMMANDE

Le panneau de commande peut être nettoyé avec de l'eau savonneuse chaude. Vérifiez que le chiffon est propre et bien essoré avant d'effectuer le nettoyage. Utilisez un chiffon doux et sec pour éliminer l'excès d'humidité restant après le nettoyage.

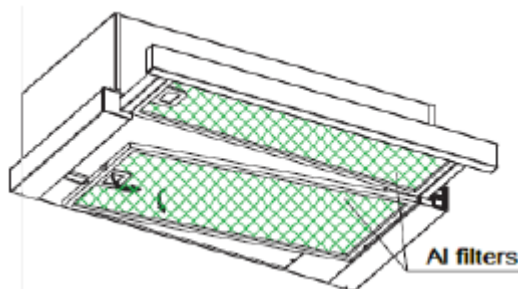
Important

Utilisez des détergents neutres et évitez les produits chimiques agressifs, les détergents ménagers puissants ou les produits contenant des abrasifs, car cela affectera l'aspect de l'appareil et pourrait éliminer les dessins imprimés sur le panneau de commande et rendre la garantie caduque.

FILTRES À TAMIS À GRAISSE

Les filtres à tamis peuvent être nettoyés à la main. Plongez-les pendant près de 3 minutes dans de l'eau avec un détergent pour dissoudre la graisse, puis brossez-les délicatement avec une brosse douce. N'exercez pas une pression trop importante pour éviter de les endommager. (Laissez-les sécher naturellement sans les placer en plein soleil)

Les filtres doivent être lavés séparément des couverts et des ustensiles de cuisine. Il est conseillé de ne pas utiliser un agent de rinçage.



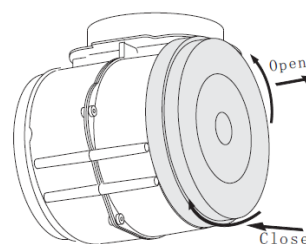
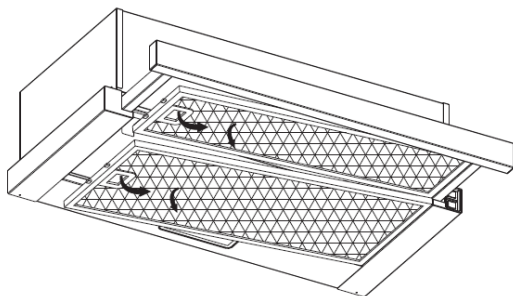
INSTALLATION DES FILTRES À TAMIS À GRAISSE

- Pour installer les filtres, suivez ces quatre étapes :
 - Inclinez le filtre pour l'introduire dans les fentes à l'arrière de la hotte ;
 - Appuyez sur le bouton situé sur la poignée du filtre ;
 - Relâchez la poignée une fois que le filtre est mis en place ;
 - Répétez cette opération pour installer tous les filtres.

FILTRE À CHARBON - non fourni

Le filtre à charbon actif peut être utilisé pour capturer les odeurs. Il faut habituellement remplacer le filtre à charbon actif tous les trois ou six mois en fonction de vos habitudes de cuisine. La procédure d'installation du filtre à charbon actif est indiquée ci-dessous.


- (1) Faites glisser la partie avant de la hotte aspirante.
- (2) Il faut d'abord détacher le filtre en aluminium. Appuyez sur le verrou et tirez-le vers le bas.
- (3) Ôtez le filtre à charbon en faisant tourner le filtre à charbon dans le sens contraire des aiguilles d'une montre.
- (4) Placez le filtre à charbon neuf.



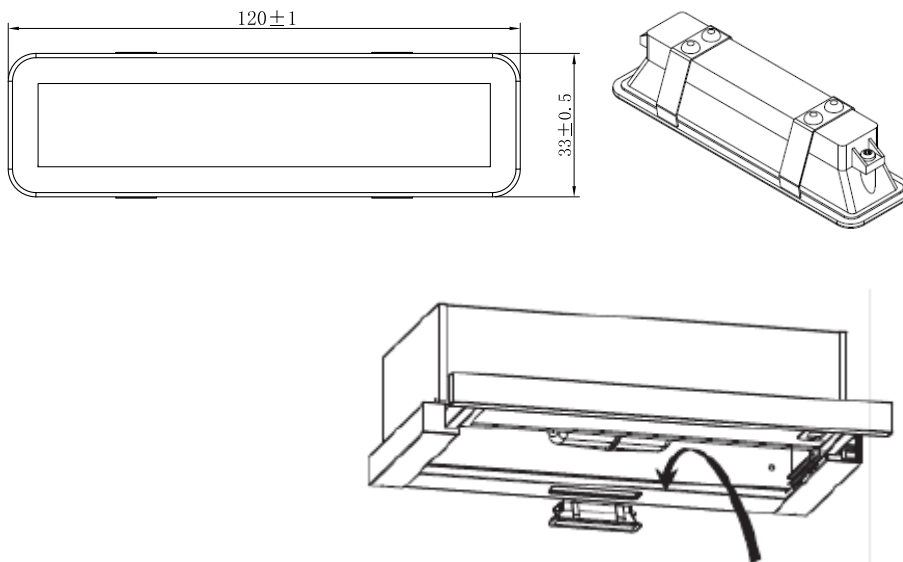
REMARQUE :

- Assurez-vous que le filtre est bien verrouillé. Sinon, il pourrait se détacher et devenir dangereux.
- Quand le filtre à charbon actif est fixé, la puissance d'aspiration diminue.

REMPACEMENT DE L'AMPOULE

<p>Important :</p> 	<ul style="list-style-type: none">✧ L'ampoule doit être remplacée par le fabricant, le service après-vente ou d'autres personnes qualifiées.✧ Coupez toujours le courant avant d'effectuer toute opération sur l'appareil. Quand vous manipulez l'ampoule, assurez-vous qu'elle ait entièrement refroidi avant tout contact direct avec les mains.✧ Quand vous manipulez les ampoules, faites-le avec un chiffon ou des gants pour éviter tout contact entre de la transpiration et l'ampoule car cela peut réduire la durée de vie de l'ampoule.
--	---

- (1) Éteignez l'appareil et débranchez-le.
- (2) Faites glisser la partie avant de la hotte aspirante.
- (3) Il faut d'abord détacher le filtre en aluminium. Appuyez sur le verrou et tirez-le vers le bas.
- (4) Remplacez par le même type d'ampoule : LED 110-240 V~50 Hz, MAXI 2 W
 - Le code ILCOS D pour cette lampe est le suivant : DBS-2/65-H-120/33.
 - Puissance maxi : 2 W
 - Plage de tension : CA 110-240 V
 - Dimensions :



PROTECTION DE L'ENVIRONNEMENT



Cet appareil est conforme à la directive Européenne 2012/19/UE relative aux règlements 2013 sur les Déchets d'équipements électriques et électroniques (DEEE) (Waste Electrical and Electronic Equipment - WEEE). La catégorie DEEE recouvre à la fois les substances polluantes (pouvant avoir des retombées négatives sur l'environnement) et les composants de base (pouvant être réutilisés). Il est important que les DEEE subissent des traitements spécifiques pour éliminer et jeter correctement les polluants et récupérer tous les matériaux. Chaque individu peut jouer un rôle important en veillant à ce que les produits DEEE ne deviennent pas un problème pour l'environnement. Pour cela, il est essentiel de suivre quelques règles de base :

- les DEEE ne doivent pas être traités comme des déchets ménagers ;
- les DEEE doivent être amenés à des zones de collecte spécifiques gérées par le conseil municipal ou une société dûment enregistrée.

Dans de nombreux pays, des décharges domestiques peuvent être disponibles pour de grands DEEE. Lorsque vous achetez un nouvel appareil, l'ancien peut être retourné au détaillant qui est en devoir de le récupérer sans frais, à titre exceptionnel, tant que l'équipement est de type équivalent et a les mêmes fonctions que l'équipement fourni.



REMARQUE :

Les indications suivantes montrent comment réduire l'impact total sur l'environnement (par ex. utilisation de l'énergie) du processus de cuisson.

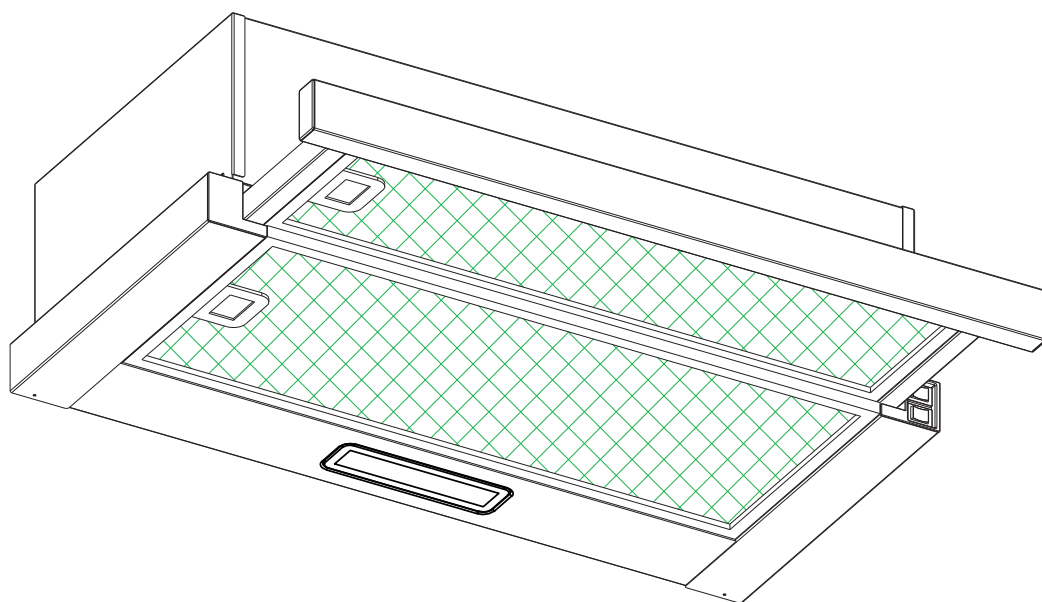
- (1) Installez la hotte aspirante à un endroit approprié disposant d'une ventilation efficace.
- (2) Nettoyez la hotte aspirante régulièrement de manière à ne pas obstruer le conduit d'air.
- (3) N'oubliez pas d'éteindre la lumière de la hotte aspirante après avoir cuisiné.
- (4) N'oubliez pas d'éteindre la hotte aspirante après avoir cuisiné.

INFORMATIONS POUR LE DÉMONTAGE

Ne démontez pas l'appareil autrement que ce qui est indiqué dans le manuel d'utilisation. L'appareil ne doit pas être démonté par l'utilisateur. À la fin de sa durée de vie, l'appareil ne doit pas être jeté avec les ordures ménagères. Adressez-vous aux autorités locales ou au revendeur pour connaître la méthode de recyclage.

Napa za štednjak

Priručnik s uputama



Sadržaj

1.....	Sigurnosne upute
2.....	Ugradnja
3.....	Počnite rabiti napu za štednjak
4.....	Rješavanje problema
5.....	Održavanje i čišćenje
6.....	Zaštita okoliša

SIGURNOSNE UPUTE

U ovom priručniku opisane su pravilna ugradnja i uporaba vaše nape za štednjak; pažljivo ga pročitajte prije uporabe čak i ako vam je proizvod poznat. Priručnik treba čuvati na sigurnom mjestu da biste se njime mogli poslužiti i u budućnosti.

Nikada nemojte činiti

sljedeće:

- Ne pokušavajte rabiti napu za štednjak bez filtera za masnoće ili ako su filtri izrazito masni!
- Ne ugrađujte iznad štednjaka koji ima rešetku na visokoj razini.
- Ne ostavljajte tave u kojima se prži hrana bez nadzora tijekom uporabe jer se pregrijane masti ili ulja mogu zapaliti.
- Nikada ne ostavljajte otvoreni plamen ispod nape za štednjak.



- Ako je napa za štednjak oštećena, ne pokušavajte je rabiti.
- Ne flambirajte hranu ispod nape za štednjak.
- OPREŽ: Prilikom uporabe s uređajima za kuhanje dostupni dijelovi mogu se zagrijati.
- Najmanja udaljenost između potporne površine za posude za kuhanje na ploči za kuhanje i najnižeg dijela nape za štednjak. (Kada je napa za štednjak smještena iznad plinskog uređaja, ta udaljenost mora biti najmanje 65 cm)
- Zrak se ne smije ispustiti u dimnjak koji se rabi za ispušne plinove uređaja na plin ili druga goriva.



Uvije

k trebate napraviti sljedeće:

- Važno! Uvijek isključite napajanje u elektroenergetskoj mreži tijekom ugradnje i održavanja, primjerice zamjene žarulje.
- Napu za štednjak trebate ugraditi u skladu s uputama za ugradnju i trebate se pridržavati svih mjerenja.
- Sve radove ugradnje smiju obaviti samo osposobljena osoba ili kvalificirani električar.
- Pažljivo odložite ambalažni materijal. Djeci on može naškoditi.
- Obratite pažnju na oštre rubove u unutrašnjosti nape za štednjak tijekom ugradnje i čišćenja.
- Kada se napa za štednjak nalazi iznad plinskog uređaja, najmanja udaljenost između potporne površine za posude za kuhanje na ploči za kuhanje i najnižeg dijela nape za štednjak mora biti:
Plinski štednjaci: 75 cm
Električni štednjaci: 65 cm
Štednjaci na ugljen ili ulje: 75 cm
- Pobrinite se da u kanalima nema zavoja oštrijih od 90 stupnjeva jer se tako smanjuje učinkovitost nape za štednjak.
- Upozorenje: Ako ne ugradite vijke ili pričvrtni uređaj u skladu s ovim uputama, mogu nastati rizici povezani sa strujom

Uvijek trebate napraviti sljedeće:

- **Uvijek** stavite poklopce na lonce i tave kada kuhate na plinskom štednjaku.
- Kada je u načinu isisavanja, zrak iz prostorije uklanja napa za štednjak. Svakako se pridržavajte odgovarajućih mjera za provjetravanje. Napa za štednjak uklanja neugodne mirise iz prostorije, ali ne i paru.
- Napa za štednjak namijenjena je samo uporabi u domaćinstvu.



- Ako je kabel za napajanje oštećen, trebaju ga zamijeniti proizvođač, njegov serviser ili osobe sličnih kvalifikacija radi izbjegavanja opasnosti.
- Ovaj uređaj mogu upotrebljavati djeca starija od osam godina i osobe sa smanjenim fizičkim, osjetilnim ili mentalnim sposobnostima ili nedostatkom iskustva i znanja ako su pod nadzorom ili su dobili upute u vezi sa sigurnom upotrebom uređaja te ako shvaćaju pripadajuće opasnosti. Djeca se ne smiju igrati uređajem. Djeca bez nadzora ne smiju čistiti niti obavljati postupke održavanja uređaja.



- **Upozorenje:** Prije nego što uspostavite pristup terminalima, trebete isključiti sve strujne krugove za napajanje.

Uvijek trebate napraviti sljedeće:

- **Oprez:** Uređaj i njegovi pristupačni dijelovi mogu se zagrijati tijekom rada. Budite pažljivi i ne dodirujte grijaće elemente. Djeca mlađa od osam godina trebaju se držati podalje osim ako su pod stalnim nadzorom.
- Prostorija mora biti propisno provjetrena kada se napa za štednjak rabi istovremeno s uređajima na plin ili druga goriva.
- Nastaje rizik od požara ako se čišćenje ne obavi u skladu s uputama
- Treba se pridržavati propisa o ispuštanju zraka.
- Povremeno očistite uređaj slijedeći način opisan u poglavlju **ODRŽAVANJE**.
- Iz sigurnosnih razloga upotrebljavajte samo onu veličinu pričvrtnih ili postavnih vijaka koja je preporučena u ovom priručniku s uputama.
- Kada je riječ o pojedinostima o načinu i učestalosti čišćenja, pogledajte odjeljak o održavanju i čišćenju u priručniku s uputama.
- Djeca bez nadzora ne smiju čistiti niti obavljati postupke održavanja uređaja.
- Kada istovremeno rade napa za štednjak i uređaji koji se ne napajaju strujom, potlak u prostoriji ne smije biti viši od 4 Pa (4 x 10⁻⁵ bara).
- **UPOZORENJE:** Opasnost od požara: ne spremajte predmete na površine za kuhanje.
- **Ne** smije se rabiti parni čistač.
- **NIKADA** ne pokušavajte ugasiti vatru vodom, nego isključite uređaj i prekrijte plamen npr. poklopcem ili protupožarnim pokrivačem.

UGRADNJA (OTVOR VANI)

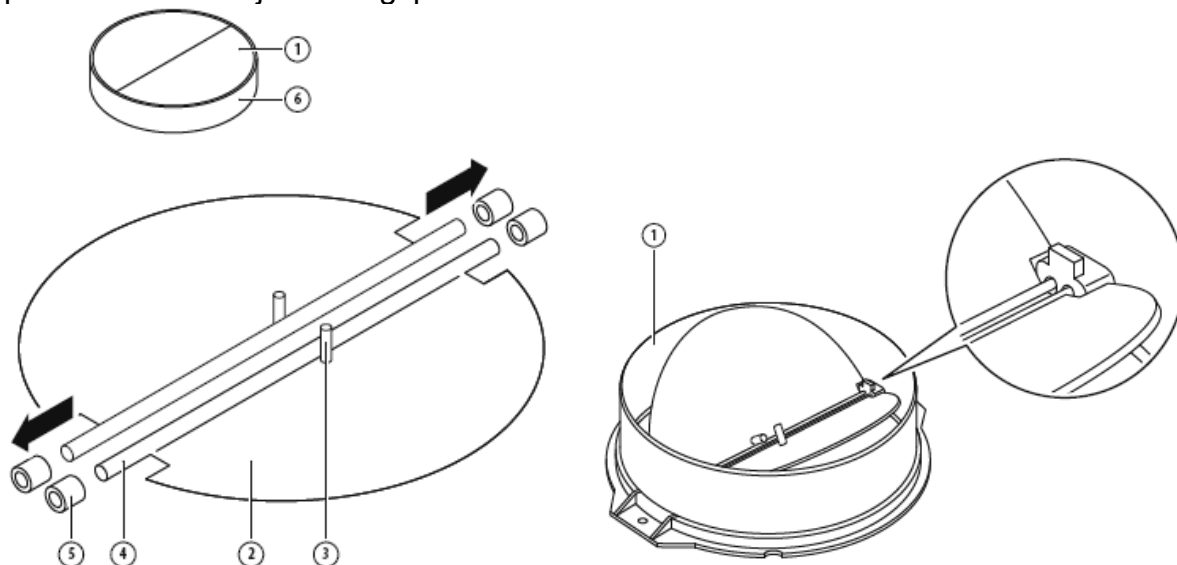
POSTAVLJANJE V-PREKLOPNICE

**Dodatni pribor isporučuje se samo uz neke modele.*

Ako napa za štednjak nema sastavljenu V-preklopnicu 1, trebali biste postaviti polu-dijelove na njezino tijelo. Na slikama je prikazan samo primjer načina postavljanja V-preklopnice, otvor može varirati ovisno o različitim modelima i konfiguraciji.

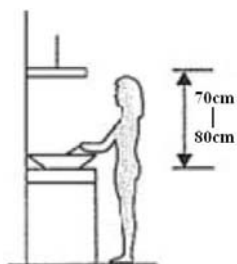
Da biste postavili V-preklopnicu 1 trebate napraviti sljedeće:

- Postavite dva polu-dijela 2 u tijelo 6
- zatik 3 treba biti okrenut prema vrhu;
- osovinu 4 treba umetnuti u otvore 5 na tijelu;
- ponovite sve radnje za drugi polu-dio

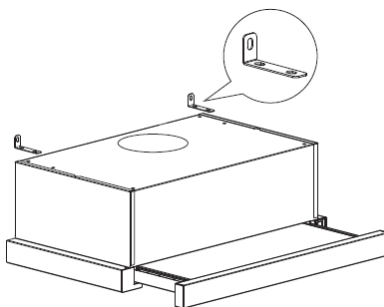


UGRADNJA (Postavljanje na zid)

1. Odaberite lokaciju otvora za pričvršćivanje nape za štednjak.

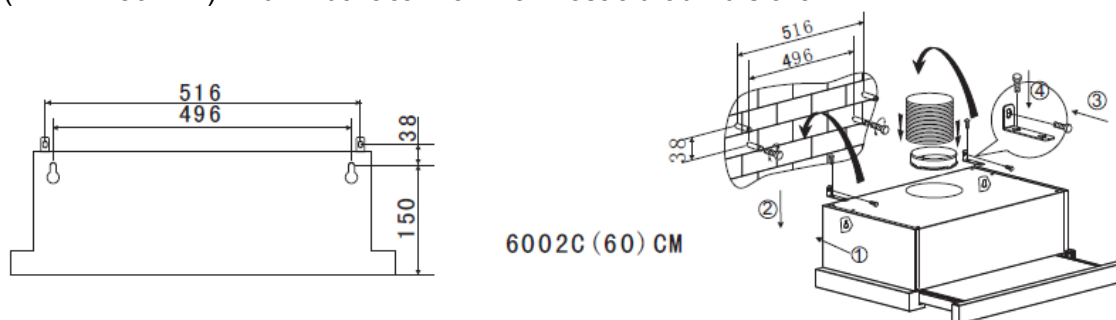


2. Postavite nosač u obliku slova L na vrh nape služeći se dvama vijcima (4 mm x 10 mm)

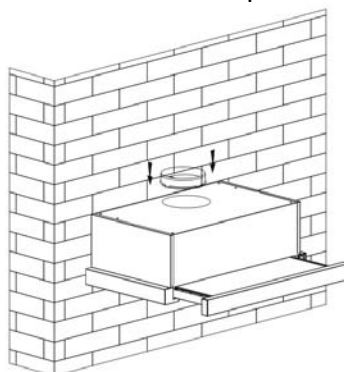


3. Napa za štednjak postavlja se na zid putem četiri vijka (4 mm x 30 mm) i zidnih utikača. Postavite napu za štednjak na zid stražnjom stranom nape za štednjak putem dva vijka

(4 mm x 30 mm) i zidnih utikača. Zatim učvrstite napu za štednjak na zid putem dva vijka (4 mm x 30 mm) i zidnih utikača kroz mali nosač u obliku slova L.

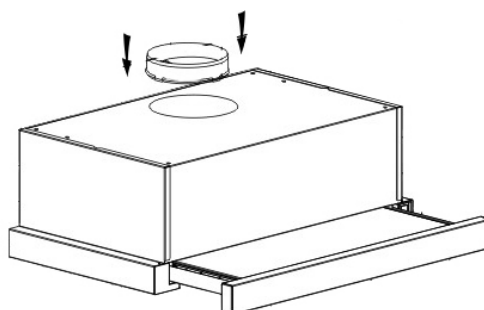


4. Pričvrstite jednosmjerni ventil na otvor za zrak nape za štednjak.

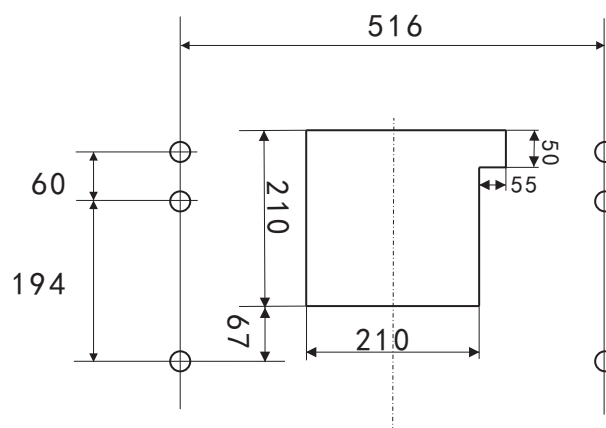


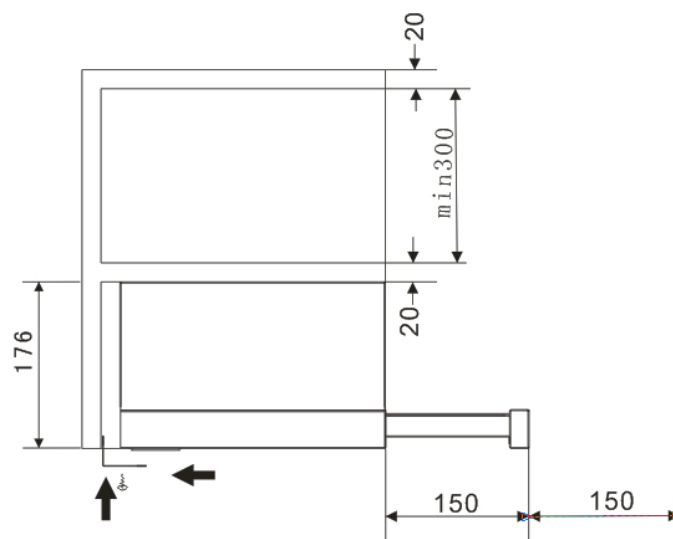
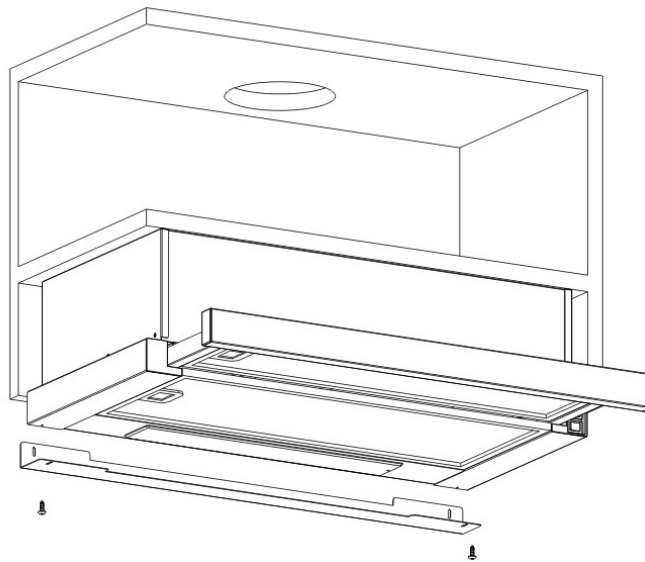
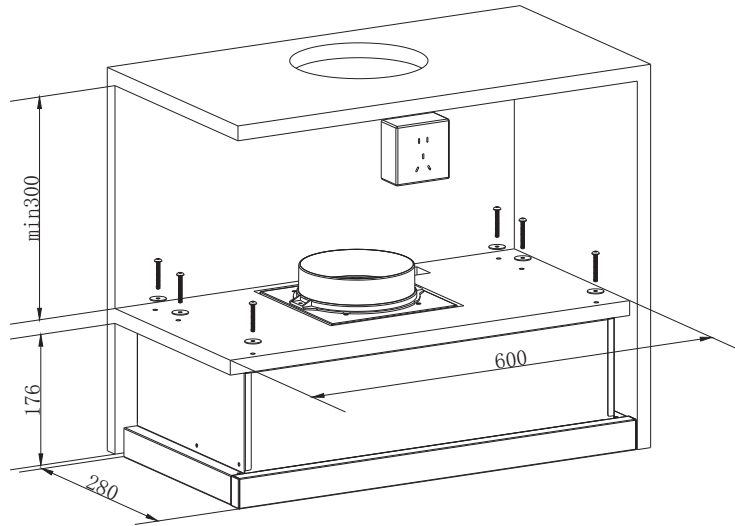
UGRADNJA (Postavljanje na ormarić)

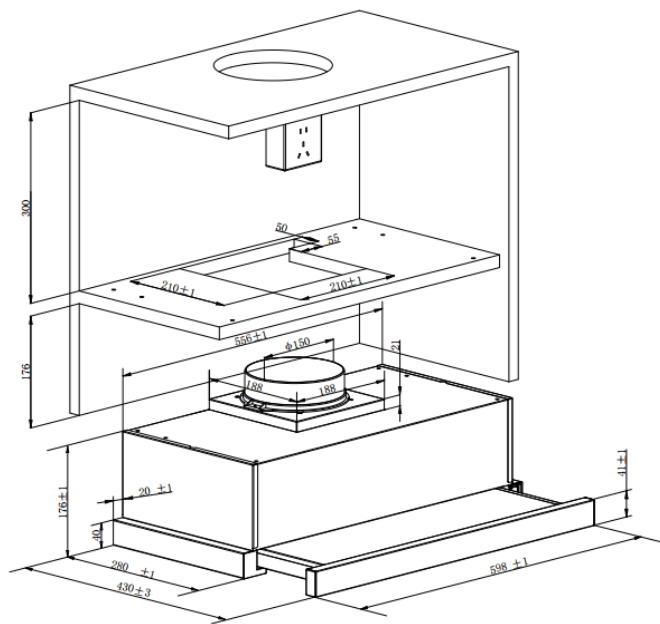
1. Pričvrstite jednosmjerni ventil na otvor za zrak nape za štednjak.




2. Postavite napu za štednjak na ormarić uporabom šest vijaka (4 x 35 mm) i ravnih podloški.





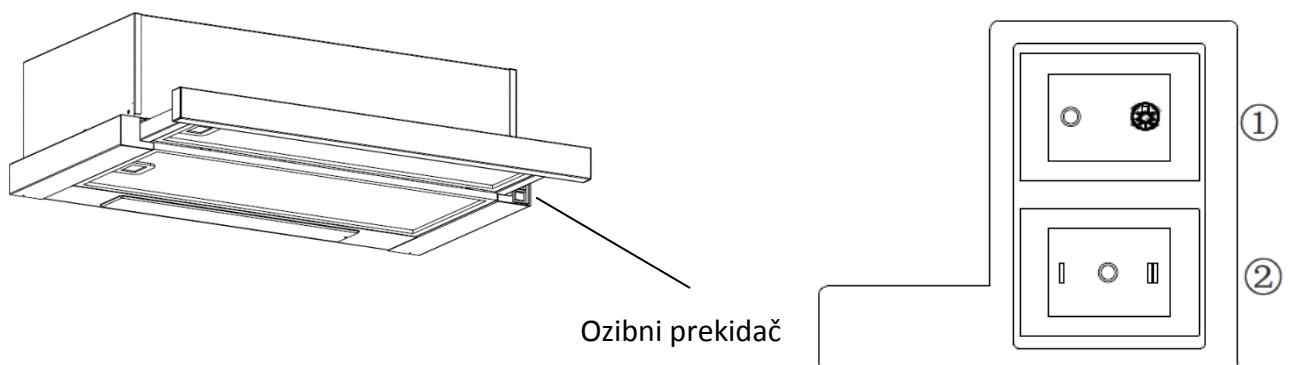


Ako postoji razmak između zida i nape za štednjak, možete postaviti nosač u obliku slova L na dno nape uporabom dvaju vijaka (3 x 12 mm). Postavljanje nosača u obliku slova L nije obavezno. Napomena: Dilatacijska cijev ne isporučuje se s proizvodom.

<p>UPOZORENJE:</p> 	<ul style="list-style-type: none"> ➤ Iz sigurnosnih razloga upotrebljavajte samo onu veličinu pričvrstnih ili postavnih vijaka koja je preporučena u ovom priručniku s uputama. ➤ Ako ne ugradite vijke ili pričvrstni uređaj u skladu s ovim uputama, mogu nastati ozljede povezane sa strujom.
--	--

Počnite rabiti napu za štednjak

Ozibni prekidač



1. Umetnite strujni utikač u utičnicu.
2. Ako je prekidač ① u položaju, svjetiljka se pali; ako je prekidač ① u položaju „0” , svjetiljka se gasi.

3. Ako je prekidač ② u položaju „I, II“ , motor je u načinu dviju brzina „low, high“ („mala velika“), ako je u položaju „0“ , motor se gasi.

4. Napajanje se uključuje kada izvučete prednju ploču. U suprotnom, napajanje se automatski isključuje.

RJEŠAVANJE PROBLEMA

Kvar	Mogući uzrok	Rješenje
Svjetlo je uključeno, ali motor ne radi	Isključen je prekidač za ventilator	Odaberite položaj prekidača za ventilator.
	Kvar prekidača za ventilator	Obratite se servisnom centru.
	Kvar motora	Obratite se servisnom centru.
Svjetlo ne radi, motor ne radi	Izgorjeli osigurači	Vratite osigurače u prvotno stanje / zamijenite ih.
	Kabel za napajanje labav ili nije spojen	Ponovno utaknite kabel u utičnicu. Uključite utičnicu.
Curenje ulja	Jednosmjerni ventil i otvor nisu čvrsto zatvoreni	Spustite jednosmjerni ventil i zabrtvite ga brtvilom.
	Curenje iz spoja dimnjaka i poklopca	Spustite dimnjak i zabrtvite ga.
Svjetla ne rade	Razbijene žarulje / žarulje u kvaru	Zamijenite žarulje prema ovojuputi.
Nedovoljan usis	Prevelika udaljenost između nape za štednjak i plinske ploče	Postavite napu za štednjak na pravilnu udaljenost.
Naginje se napa za štednjak	Pričvrсни vijak nije dovoljno stegnut	Stegnite viseći vijak i stavite ga u vodoravan položaj.

NAPOMENA:



Bilo koji električni popravci ovoga uređaja moraju biti u skladu s lokalnim, državnim i saveznim zakonima. Obratite se servisnom centru ako imate nedoumica prije nego što poduzmete išta od gore navedenog. Uvijek isključite napajanje kada otvarate jedinicu.

ODRŽAVANJE I ČIŠĆENJE

Oprez:

- Prije nego što izvedete održavanje ili čišćenje, trebate isključiti napajanje nape za štednjak. Pobrinite se da je napa za štednjak isključena iz zidne utičnice i da je utikač uklonjen.



- Vanjske su površine podložne ogrebotinama i abraziji; stoga se pridržavajte uputa za čišćenje da biste postigli najbolje rezultate bez oštećenja.

OPĆENITO

Čišćenje i održavanje, osobito čišćenje, treba izvoditi dok je uređaj hladan. Ne ostavljajte lužnate ili kisele tvari (limunov sok, ocat itd.) na površinama.

NEHRĐAJUĆI ČELIK

Nehrđajući čelik treba redovito čistiti (tj. svaki tjedan) radi dugog radnog vijeka. Osušite čistom mekanom krpom. Možete upotrijebiti i specijalnu tekućinu za čišćenje nehrđajućeg čelika.

NAPOMENA:

Pobrinite se da brisanje izvodite u smjeru teksture nehrđajućeg čelika radi sprječavanja pojave neuglednih poprečnih linija.

POVRŠINA UPRAVLJAČKE PLOČE

Oblogu upravljačke ploče možete očistiti toplom sapunastom vodom. Provjerite je li krpa čista i dobro iscijeđena prije čišćenja. Upotrijebite mekanu suhu krpom za uklanjanje viška vlage nakon čišćenja.

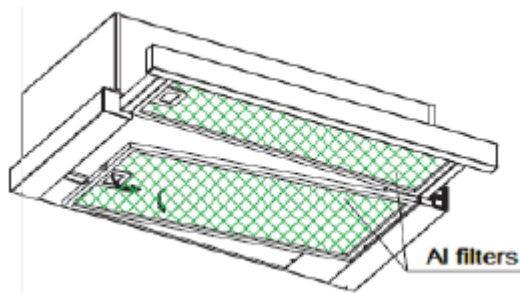
Važno

Upotrebljavajte neutralne deterdžente i izbjegavajte teške kemikalije za čišćenje, jake deterdžente za domaćinstvo ili proizvode koji sadrže abrazive jer to utječe na izgled uređaja i time možete ukloniti otisnuti materijal na upravljačkoj ploči i tako poništiti jamstvo.

FILTRI S MREŽICOM ZA MASNOĆE

Filtre s mrežicom možete očistiti ručno. Umočite ih otprilike tri minute u vodu s deterdžentom za otapanje masnoća, a zatim ih lagano iščetkajte mekanom četkom. Ne pritišćite previše da ne biste oštetili filtre. (Ostavite da se osuše prirodnim putem, podalje od izravne Sunčeve svjetlosti)

Filtre treba prati odvojeno od posuđa i kuhinjskog pribora. Ne preporučuje se uporaba sredstva za ispiranje.



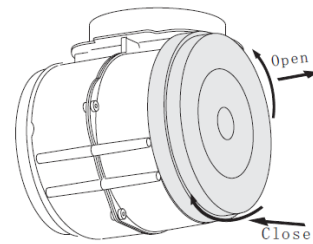
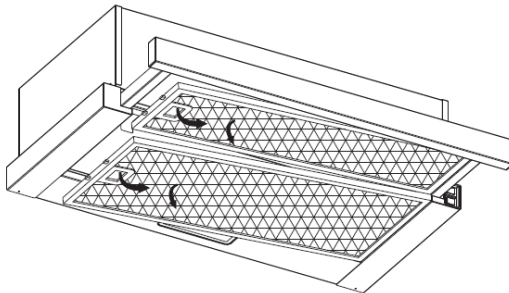
UGRADNJA FILTERA S MREŽICOM ZA MASNOĆE

- Slijedite sljedeća četiri koraka za ugradnju filtera.
- Stavite filter pod kutom u utore na stražnjoj strani nape.
- Pritisnite gumb na ručki filtra.
- Otpustite ručku kada filter upadne u položaj mirovanja.
- Ponovite postupak za ugradnju svih filtera.

Ne isporučuje se UGLJENI FILTAR

Filtar od aktivnog ugljena može se upotrijebiti za sprječavanje širenja neugodnih mirisa. Filtar od aktivnog ugljena normalno treba promijeniti nakon tri do šest mjeseci, ovisno o vašim navikama kuhanja. Postupak ugradnje filtra od aktivnog ugljena objašnjen je u nastavku.


- (1) Kliznim pokretom pomaknite prednji dio nape za štednjak.
- (2) Prvo trebate odvojiti aluminijski filtar. Pritisnite zapinjač i povucite ga prema dolje.
- (3) Okrećite ugljeni filtar u smjeru suprotno od kazaljke na satu i tako ga izvucite.
- (4) Stavite novi ugljeni filtar.



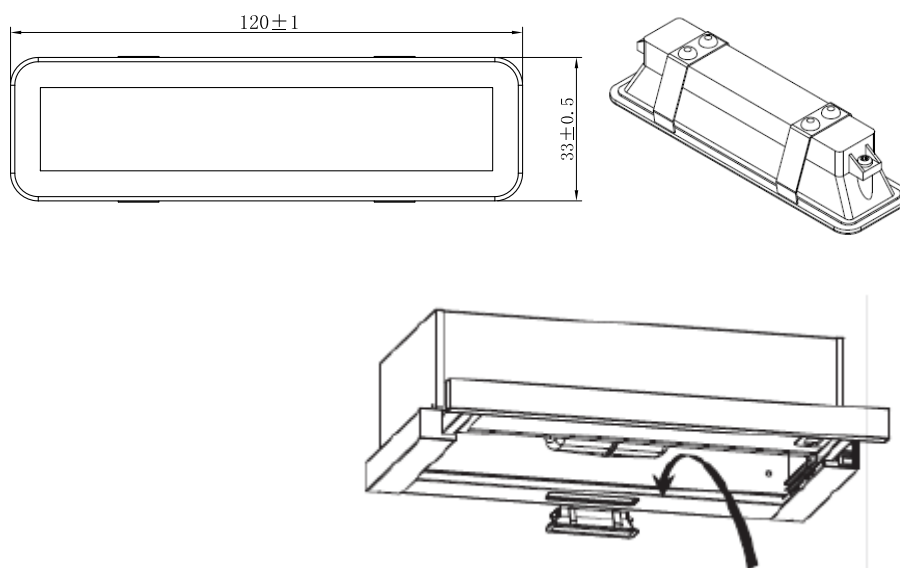
NAPOMENA:

- Filtar mora biti sigurno zaključan. Inače bi mogao olabaviti i prouzročiti opasne situacije.
- Kada je filtar od aktivnog ugljena pričvršćen, usisna je snaga manja.

ZAMJENA ŽARULJE

<p>Važno:</p> 	<ul style="list-style-type: none">✧ Žarulju trebaju zamijeniti proizvođač, njegov serviser ili osobe sličnih kvalifikacija.✧ Uvijek isključite napajanje prije izvođenja bilo kojih radnji na uređaju. Kada rukujete žaruljom, pričekajte da se potpuno ohladi prije nego što dođe u izravan doticaj s rukama.✧ Kada rukujete žaruljama, upotrijebite krpu i li stavite rukavice da znoj ne bi došao u doticaj sa žaruljom budući da joj to smanjuje vijek trajanja.
---	--

- (1) Isključite uređaj i izvucite utikač iz utičnice.
- (2) Kliznim pokretom pomaknite prednji dio nape za štednjak.
- (3) Prvo trebate odvojiti aluminijski filtar. Pritisnite zapinjač i povucite ga prema dolje.
- (4) Zamijenite istom vrstom žarulje 110-240 V ~ 50 Hz, MAX. 2 W LED
 - Šifra ILCOS D za ovu svjetiljku je: DBS-2/65-H-120/33.
 - Najveća snaga: 2 W
 - Područje napona: AC 110-240 V
 - Dimenzije:



ZAŠTITA OKOLIŠA:



Ovaj uređaj označen je u skladu s Europskom direktivom 2012/19/EU o otpadnoj električnoj i elektroničkoj opremi iz 2013. godine o električnim i elektroničkim uređajima (OEEO). OEEO obuhvaća i zagađujuće materije (koje mogu negativno utjecati na okoliš) i osnovne komponente (koje se mogu ponovo upotrebljavati). Važno je da se OEEO podvrgne posebnim tretmanima, u cilju pravilnog otklanjanja i odlaganja svih zagađivača, kao i vraćanju i recikliranju svih materijala. Pojedinci mogu imati važnu ulogu osiguravanjem da OEEO ne postane ekološki problem; potrebno je slijediti nekoliko osnovnih pravila:

- OEEO se ne smije smatrati kućanskim otpadom.
- OEEO se predaje mjestima nadležnim za prikupljanje takvog otpada kojima upravljaju općina ili registrirana tvrtka.

U mnogim zemljama, za velike OEEO-ove omogućeno je sakupljanje kod kuće. Kada kupite novi uređaj, možete vratiti stari trgovcu koji ga mora preuzeti besplatno, u okviru zamjene jedan za jedan; ako se radi o uređaju iste vrste koji je imao iste funkcije kao i uređaj koji se isporučuje.

NAPOMENA:

U nastavku je prikazano kako smanjiti ukupan utjecaj postupka kuhanja (tj. uporabe energije) na okoliš.

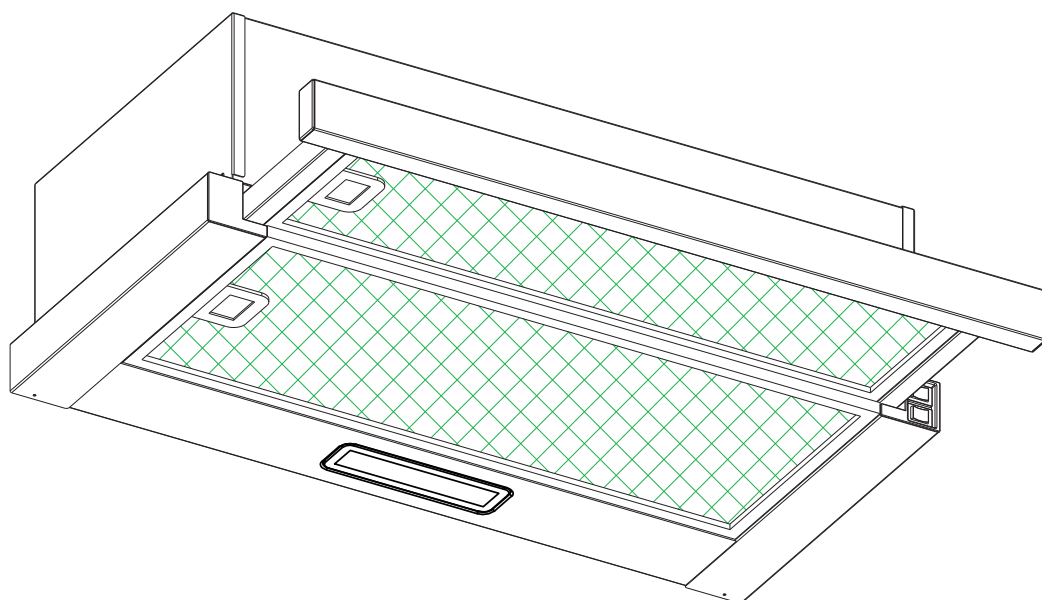
- (1) Ugradite napu za štednjak na pravo mjesto s propisnim provjetravanjem.
- (2) Redovito čistite napu za štednjak radi sprječavanja blokiranja zračnog puta.
- (3) Ne zaboravite isključiti svjetlo nape za štednjak nakon kuhanja.
- (4) Ne zaboravite isključiti napu za štednjak nakon kuhanja.

INFORMACIJE O RASTAVLJANJU

Ne rastavljajte uređaj na način koji nije prikazan u korisničkom priručniku. Korisnik ne smije rastavljati uređaj. Na kraju radnog vijeka uređaj se ne smije odložiti s otpadom iz domaćinstva. Vaše lokalno nadležno tijelo ili njegov predstavnik mogu vam dati savjete o recikliranju.

Okap kuchenny

Instrukcja obsługi



Spis treści

1.....	Instrukcja bezpieczeństwa
2.....	Instalacja
3.....	Zacznij korzystać z okapu kuchennego
4.....	Usuwanie usterek
5.....	Konserwacja i czyszczenie
6.....	Ochrona środowiska

INSTRUKCJA BEZPIECZEŃSTWA

Niniejsza instrukcja objaśnia prawidłową instalację i użytkowanie okapu kuchennego; przeczytaj ją uważnie przed użyciem, nawet jeśli znasz produkt. Instrukcję należy przechowywać w bezpiecznym miejscu, aby móc z niej skorzystać w przyszłości.

Nigdy nie należy robić:

- Nie próbuj używać okapu kuchennego bez filtrów przeciw tłuszczowym lub gdy filtry są nadmiernie zatłuszczone!
- Nie instaluj nad kuchenką z grillem na wysokim poziomie.
- Nie pozostawiaj patelni bez nadzoru podczas smażenia, ponieważ przegrzane tłuszcze czy oleje mogą się zapalić.
- Nigdy nie pozostawiaj otwartego ognia pod okapem kuchennym.



- Jeśli okap kuchenny jest uszkodzony, nie należy go używać.
- Nie flambiruj pod okapem kuchennym.
- **UWAGA:** Dostępne części mogą się nagrzewać podczas używania z urządzeniami do gotowania.
- Minimalna odległość pomiędzy powierzchnią nośną na naczynia kuchenne na płycie grzewczej a najniższą częścią okapu kuchennego. (Gdy okap kuchenny znajduje się nad kuchenką gazową, odległość ta musi wynosić co najmniej 65 cm)
- Nie wolno odprowadzać powietrza do przewodu kominowego wykorzystywanego do odprowadzania spalin z urządzeń



dzeń spalających gazy lub inne paliwa.

Zawsze należy robić:

- Ważne! Zawsze odłączaj zasilanie elektryczne od sieci podczas instalacji i konserwacji, jak np. wymiany żarówki.
- Okap kuchenny musi być zainstalowany zgodnie z instrukcją instalacji, przestrzegając przy tym wszystkich wymiarów.
- Wszelkie prace instalacyjne muszą być wykonane przez kompetentną osobę lub wykwalifikowanego elektryka.
- Proszę ostrożnie wyrzucić opakowanie. Stanowi ono zagrożenie dla dzieci.
- Zwróć uwagę na ostre krawędzie wewnątrz okapu kuchennego, szczególnie podczas instalacji i czyszczenia.
- Gdy okap kuchenny znajduje się nad kuchenką gazową, minimalna odległość pomiędzy powierzchnią nośną na naczynia kuchenne na płycie grzewczej a najniższą częścią okapu kuchennego musi wynosić:
Kuchenki gazowe: 75 cm
Kuchenki elektryczne: 65 cm
Kuchenki na węgiel lub olej: 75 cm
- Upewnij się, że kanały wentylacyjne nie są zgięte pod kątem ostrzejszym niż 90 stopni, ponieważ zmniejszy to wydajność okapu kuchennego.

- **Ostrzeżenie:** Niezamontowanie wkrętów lub urządzenia mocującego zgodnie z niniejszą instrukcją może spowodować zagrożenie elektryczne

Zawsze należy robić:

- Zawsze kładź pokrywki na garnki i patelnie podczas gotowania na kuchence gazowej.
- W trybie odprowadzania powietrze w pomieszczeniu jest usuwane przez okap kuchenny. Upewnij się, że została zapewniona odpowiednia wentylacja. Okap kuchenny usuwa z pomieszczenia zapachy, ale nie opary.
- Okap kuchenny jest przeznaczony wyłącznie do użytku domowego.



- Jeśli kabel zasilający ulegnie uszkodzeniu, należy zlecić jego wymianę producentowi, autoryzowanemu serwisowi lub osobom o podobnych kwalifikacjach w celu uniknięcia zagrożenia.
- Niniejsze urządzenie może być obsługiwane przez dzieci powyżej 8 roku życia oraz przez osoby o ograniczonych możliwościach fizycznych, sensorycznych czy umysłowych lub osoby nieposiadające doświadczenia ani wiedzy pod warunkiem, że są one pod odpowiednim nadzorem lub zostały poinstruowane, jak bezpiecznie obsługiwać urządzenie i rozumieją związane z nim zagrożenia. Dzieci nie powinny bawić się urządzeniem. Czyszczenie i konserwacja nie mogą być wykonywane przez dzieci bez dozoru.



- **Ostrzeżenie:** Przed uzyskaniem dostępu do przyłączy wszystkie obwody zasilania muszą zostać odłączone.

Zawsze należy robić:

- **Uwaga:** Urządzenie oraz jego dostępne części mogą się nagrzewać podczas działania. Uważaj, aby nie dotykać elementów grzejnych. Dzieci w wieku poniżej 8 lat powinny trzymać się z dala od urządzenia, chyba że znajdują się one pod stałym nadzorem.
- W przypadku gdy okapy kuchenne używane są w tym samym czasie co urządzenia spalające gaz lub inne paliwa, musi być zapewniona odpowiednia wentylacja pomieszczenia.
- Jeżeli czyszczenie nie odbywa się zgodnie z instrukcjami, istnieje zagrożenie pożarowe
- Należy zachować zgodność z przepisami dotyczącymi odprowadzania powietrza.
- Czyść okresowo urządzenie, postępując zgodnie z metodą opisaną w rozdziale KONSERWACJA.
- Ze względów bezpieczeństwa używaj tylko tych samych rozmiarów śrub mocujących czy montażowych, które są zalecane w niniejszej instrukcji obsługi.
- Szczegółowe informacje na temat metody i częstotliwości czyszczenia znajdują się w części poświęconej

konserwacji i czyszczeniu w instrukcji obsługi.

- Czyszczenie i konserwacja nie mogą być wykonywane przez dzieci bez nadzoru.
- Gdy okap kuchenny i urządzenia zasilane energią inną niż prąd są jednocześnie włączone, ciśnienie ujemne w pomieszczeniu nie może przekraczać 4 Pa (4×10^{-5} barów).

- **OSTRZEŻENIE:** Niebezpieczeństwo pożaru: nie przechowuj przedmiotów na powierzchniach gotowania.
- Nie należy używać odkurzacza parowego.
- **NIGDY** nie próbuj gasić ognia wodą, lecz wyłącz urządzenie, a następnie przykryj płomień np. pokrywką lub kocem gaśniczym.

INSTALACJA (WENTYLACJA ZEWNĘTRZNA)

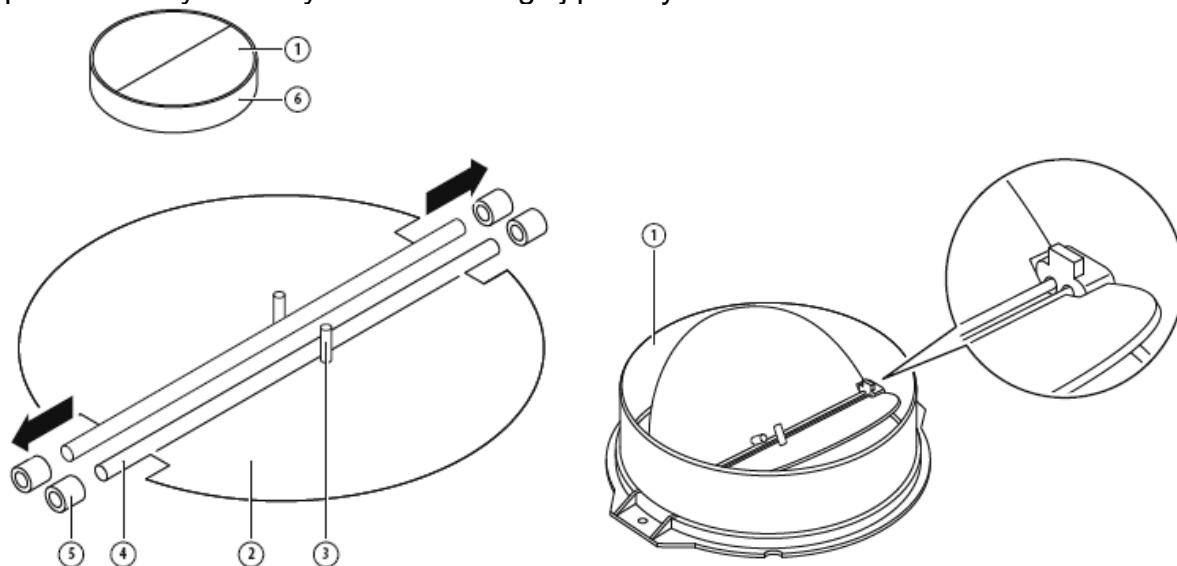
MONTAŻ KLAPY ZWROTNEJ

**Opcjonalne akcesoria dostarczane tylko z niektórymi modelami.*

Jeśli w okapie kuchennym nie ma zamontowanej klapy zwrotnej 1, należy przymocować połówki części do jego korpusu. Obrazy pokazują tylko przykład zamontowania klapy zwrotnej, wylot może być odmienny w zależności od różnych modeli i konfiguracji.

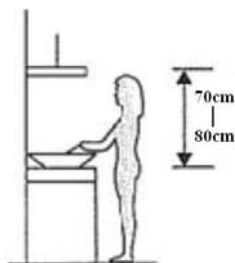
Aby zamontować klapę zwrotną 1, należy:

- Zamontować dwie połówki 2 w korpusie 6
- bolec 3 powinien być skierowany ku górze;
- oś 4 powinna być włożona w otwory 5 na korpusie;
- powtórz wszystkie czynności dla drugiej połowy

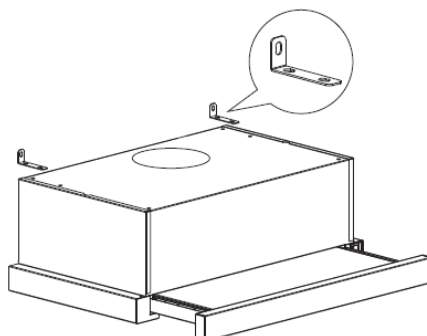


INSTALACJA (Montaż naścienny)

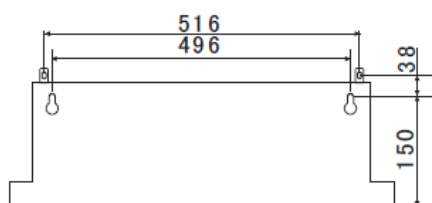
1. Wybierz miejsce otworów do zamocowania okapu kuchennego.



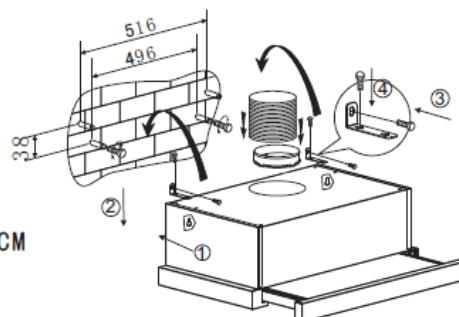
- Zamontuj wspornik w kształcie litery L na górnej części okapu za pomocą dwóch śrub (4mm x 10mm)



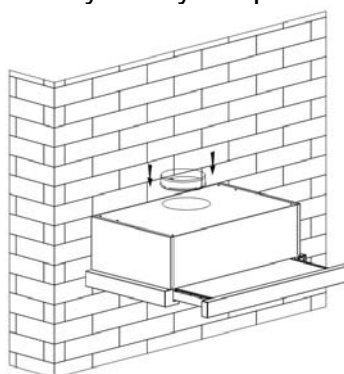
- Okap kuchenny jest montowany na ścianie za pomocą 4 śrub (4mm x 30mm) i kołków rozporowych. Zamontuj okap kuchenny na ścianie z tyłu okapu kuchennego za pomocą 2 śrub (4mm x 30mm) i kołków rozporowych. Następnie zamontuj okap kuchenny na ścianie za pomocą 2 śrub (4mm x 30mm) i kołków rozporowych przez mały wspornik w kształcie litery L.



6002C (60) CM

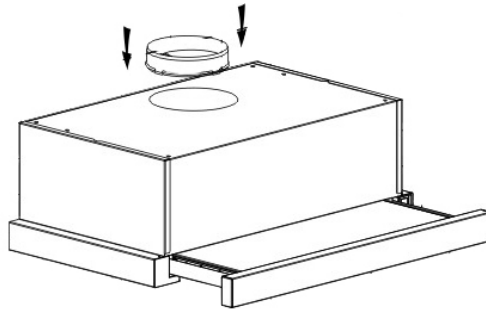


- Przymocuj zawór jednokierunkowy do wylotu powietrza okapu kuchennego.

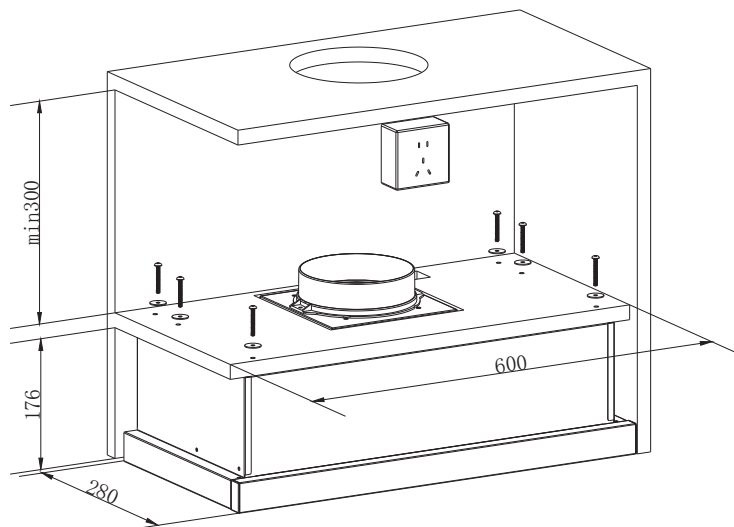
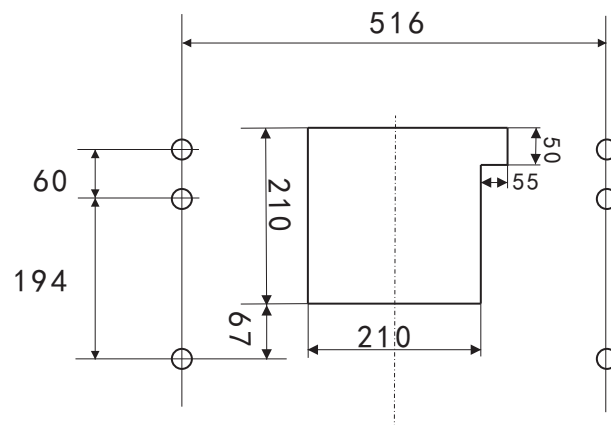


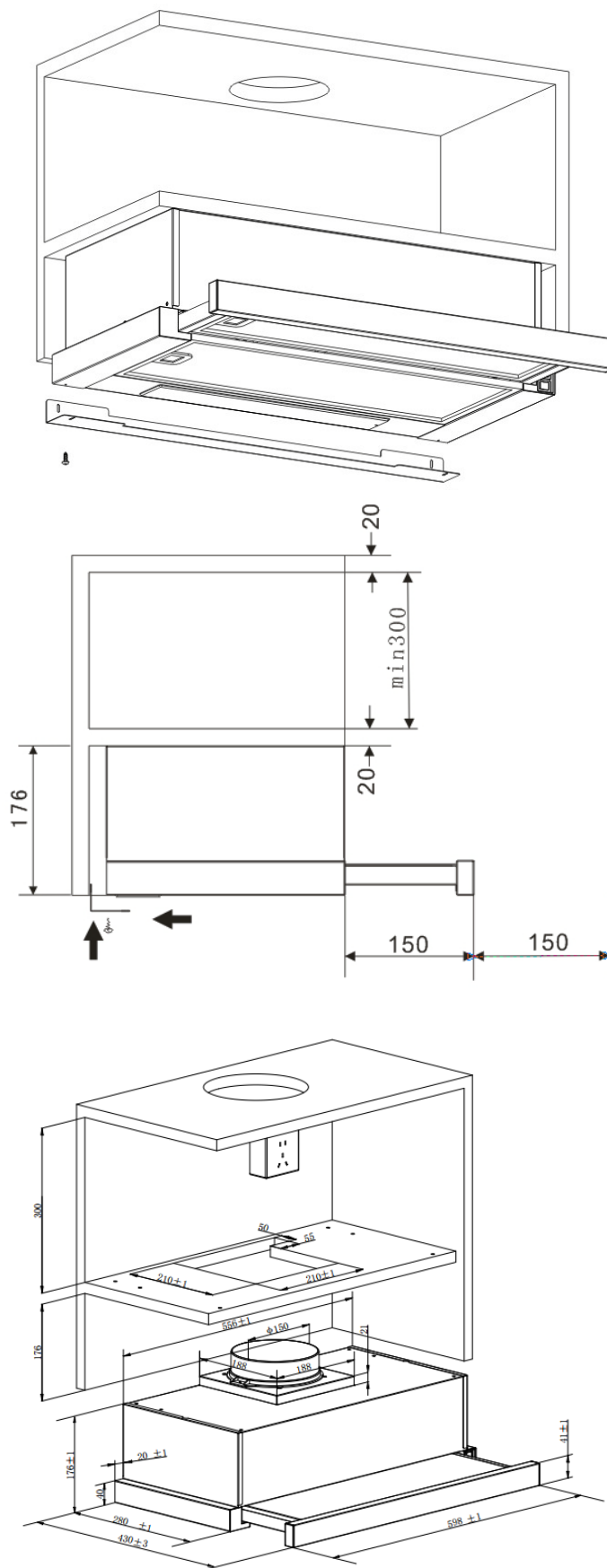
INSTALACJA (Montaż szafkowy)

- Przymocuj zawór jednokierunkowy do wylotu powietrza okapu kuchennego.




2. Zamontuj okap kuchenny na szafce za pomocą 6 śrub (4x35 mm) i płaskich podkładek.





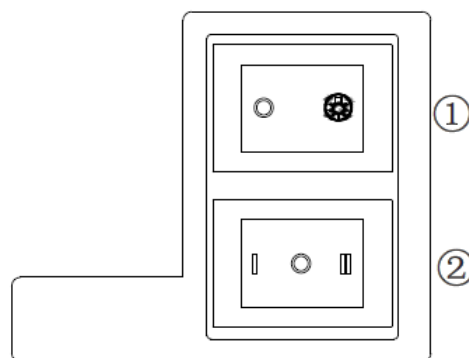
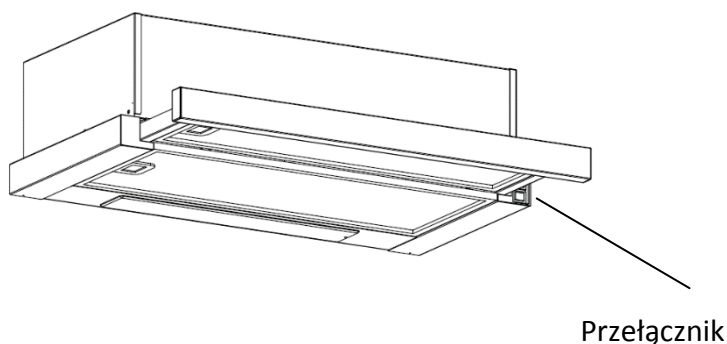
Jeśli pomiędzy ścianą a okapem kuchennym znajduje się szczelina, można zamocować wspornik w kształcie litery L na dnie okapu za pomocą dwóch śrub (3 x 12mm).
 Montaż wspornika w kształcie litery L jest opcjonalny.

Uwaga: Rura elastyczna nie jest dostarczana wraz z produktem.

<p>OSTRZEŻENIE:</p> 	<ul style="list-style-type: none"> ➤ Ze względów bezpieczeństwa używaj tylko tych samych rozmiarów śrub mocujących czy montażowych, które są zalecane w niniejszej instrukcji obsługi. ➤ Niezamontowanie wkrętów lub urządzenia mocującego zgodnie z niniejszą instrukcją może spowodować zagrożenie elektryczne.
--	---

Zacznij korzystać z okapu kuchennego

Przełącznik kołyskowy



kołyskowy

1. Włóż wtyczkę zasilającą do gniazdka.
2. Naciśnij przełącznik ① do pozycji , aby zaświecić lampę; przełącz przełącznik ① do pozycji "0" , a lampa zgaśnie.
3. Naciśnij przełącznik ② do pozycji "I, II" , aby włączyć silnik na dwie prędkości obrotowe "niskie, wysokie" ; wciśnij "0" , a silnik wyłączy się.
4. Moc zostanie podłączona po wyciągnięciu przedniego panelu. I odwrotnie, zasilanie zostanie automatycznie odłączone.

USUWANIE USTEREK

Usterka	Potencjalna przyczyna	Rozwiązanie
Żarówka włączona, ale silnik nie działa	Wyłącznik wentylatora jest wyłączony	Wybierz pozycję wyłącznika wentylatora.
	Wyłącznik wentylatora nie	Skontaktuj się z centrum

	działa	serwisowym.
	Silnik nie działa	Skontaktuj się z centrum serwisowym.
Światło nie działa, silnik nie działa	Przepalony bezpiecznik domowy	Zresetuj/wymień bezpieczniki.
	Przewód zasilający jest luźny lub odłączony	Włóż dobrze przewód zasilający do gniazdka. Włącz gniazdko.
Wyciek oleju	Zawór jednokierunkowy i wylot nie są ciasno uszczelnione	Zdejmij zawór jednokierunkowy i uszczelnij szczeliwem.
	Wyciek z połączenia komina i pokrywy	Zdejmij komin i uszczelnij.
Światła nie działają	Spalone/wadliwe lampki	Wymień lampki zgodnie z niniejszą instrukcją.
Niewystarczające odsysanie	Odległość pomiędzy okapem kuchennym a gazową płytą grzejącą jest zbyt duża	Ustaw ponownie okap kuchenny w prawidłowej odległości.
Okap kuchenny jest pochylony	Śruba mocująca nie jest wystarczająco mocno dokręcona	Dokręć śrubę mocującą i ustaw go poziomo.

UWAGA:



Wszelkie naprawy elektryczne niniejszego urządzenia muszą być zgodne z przepisami lokalnymi, wojewódzkimi i krajowymi. W przypadku wątpliwości przed podjęciem jakichkolwiek powyższych czynności należy skontaktować się z centrum serwisowym. Podczas otwierania urządzenia należy zawsze odłączyć urządzenie od źródła zasilania.

KONSERWACJA I CZYSZCZENIE

Uwaga:

- Przed rozpoczęciem konserwacji lub czyszczenia okapu kuchennego należy odłączyć od głównego źródła zasilania. Upewnij się, że gniazdko ściennie do okapu kuchennego jest wyłączone, a wtyczka wyjęta.



- Zewnętrzne powierzchnie są podatne na zadrapania i otarcia, dlatego należy postępować zgodnie z instrukcjami czyszczenia, aby uzyskać najlepszy możliwy rezultat bez uszkodzeń.

INFORMACJE OGÓLNE

Czyszczenie i konserwacja powinna być przeprowadzana przy zimnym urządzeniu, szczególnie podczas czyszczenia. Unikaj pozostawiania na powierzchni substancji alkalicznych lub kwaśnych (sok z cytryny, ocet itp.).

STAL NIERDZEWNA

Stal nierdzewna musi być regularnie czyszczona (np. co tydzień), aby zapewnić długi okres użytkowania. Wycieraj czystą miękką ściereczką. Można użyć specjalistycznego płynu czyszczącego do stali nierdzewnej.

UWAGA:

Upewnij się, że wycieranie odbywa się wzdłuż tekstury stali nierdzewnej, aby zapobiec pojawieniu się nieestetycznych krzyżujących się zarysowań.

POWIERZCHNIA PANELU STEROWANIA

Wkładkę panelu sterowania można wyczyścić ciepłą wodą z mydłem. Przed czyszczeniem upewnij się, że ściereczka jest czysta i dobrze wykręcona. Użyj suchej, miękkiej ściereczki, aby usunąć nadmiar wilgoci pozostawionej po czyszczeniu.

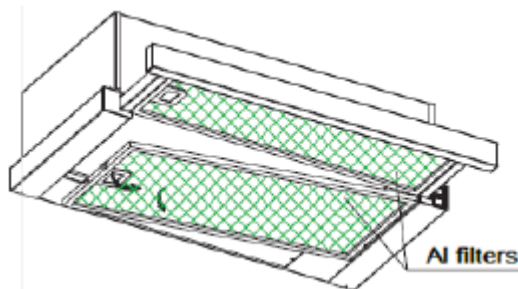
Ważne

Używaj neutralnych detergentów i unikaj używania ostrych chemikaliów, silnych domowych detergentów czy produktów zawierających materiały ściernie, ponieważ wpłynie to na wygląd urządzenia i potencjalnie usunie wszelką drukowaną grafikę na panelu sterowania, jak również spowoduje unieważnienie gwarancji producenta.

FILTRY SIATKOWE PRZECIWTŁUSZCZOWE

Filtry siatkowe można czyścić ręcznie. Namocz je przez około 3 minuty w wodzie z dodatkiem detergentu rozpuszczającego tłuszcz, a następnie delikatnie przetrzyj za pomocą miękkiej szczoteczki. Proszę nie wywierać zbyt dużego nacisku, aby uniknąć ich uszkodzenia. (Pozostaw do samoczynnego wyschnięcia z dala od bezpośredniego światła słonecznego)

Filtry należy myć oddzielnie od naczyń stołowych i przyborów kuchennych. Wskazane jest, aby nie używać płynu nabłyszczającego.



MONTAŻ FILTRÓW SIATKOWYCH PRZECIWTŁUSZCZOWYCH

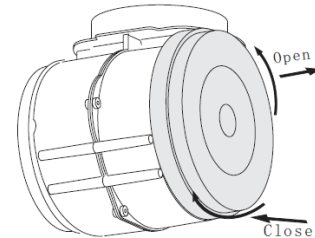
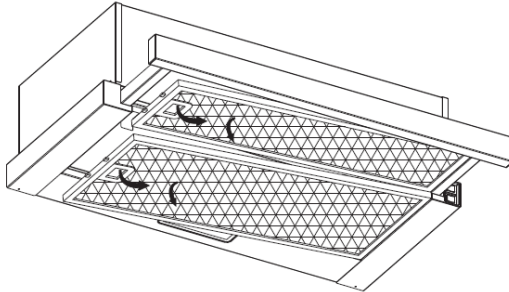
- Aby zamontować filtry, postępuj zgodnie z następującymi czterema krokami.
- Umieść filtr w szczelinach z tyłu okapu.
- Naciśnij przycisk na uchwycie filtra.
- Zwolnij uchwyt, gdy filtr znajdzie się w pozycji spoczynkowej.
- Powtórz czynności, aby zamontować wszystkie filtry.

FILTR WĘGLOWY- niedostarczony

Filtr z węglem aktywnym służy do neutralizowania zapachów. Zazwyczaj filtr z węglem aktywnym powinien być wymieniony po trzech lub sześciu miesiącach w zależności od przyzwyczajień żywieniowych i sposobu gotowania. Procedura instalacji filtra z węglem

aktywnym wygląda następująco.


- (1) Przesuń przednią część okapu kuchennego.
- (2) Najpierw należy odłączyć filtr. Nacisnąć blokadę i pociągnąć w dół.
- (3) Wyjmij filtr węglowy, obracając filtr węglowy w kierunku przeciwnym do ruchu wskazówek zegara.
- (4) Wymień na nowy filtr węglowy.



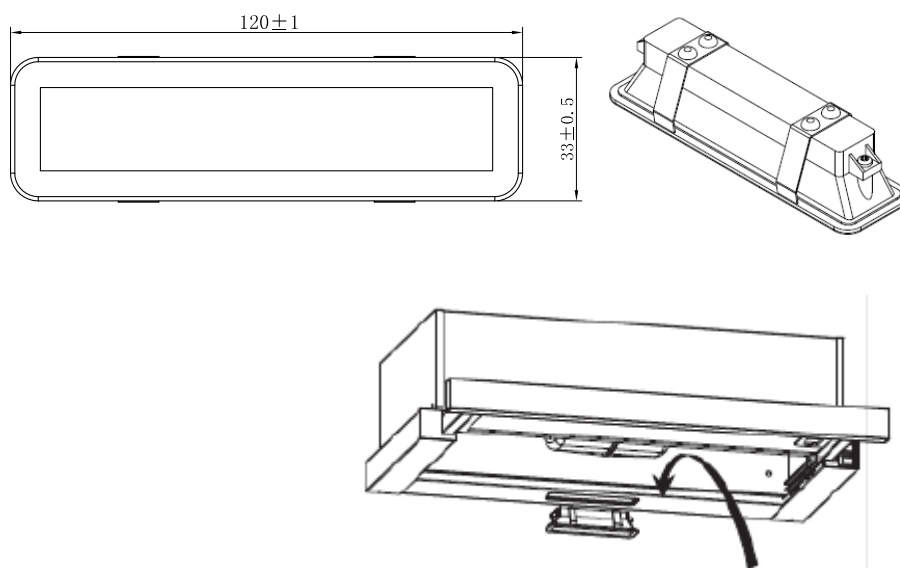
UWAGA:

- Upewnij się, że filtr jest bezpiecznie zablokowany. W przeciwnym razie może się obluzować i wywołać zagrożenie.
- Po założeniu filtra z węglem aktywnym moc ssania będzie obniżona.

WYMIANA ŻARÓWKI

<p>Ważne:</p> 	<ul style="list-style-type: none">✧ Żarówka musi być wymieniona przez producenta, jego przedstawiciela lub osoby wykwalifikowanej.✧ Zawsze wyłączaj zasilanie elektryczne przed wykonaniem jakichkolwiek czynności na urządzeniu. Podczas obsługi żarówki, upewnij się, że ostygła ona całkowicie przed bezpośrednim kontaktem z rękoma.✧ Podczas obsługi lampek należy użyć szmatki lub rękawic, aby zapewnić, że pot nie wejdzie w kontakt z lampką, ponieważ może to zmniejszyć jej żywotność.
---	---

- (1) Wyłącz urządzenie i odłącz zasilanie sieciowe.
- (2) Przesuń przednią część okapu kuchennego.
- (3) Najpierw należy odłączyć filtr. Nacisnąć blokadę i pociągnąć w dół.
- (4) Wymień na ten sam typ światła 110-240V~50Hz, MAX.2W LED
 - Kod ILCOS D dla tej lampy to: **DBS-2/65-H-120/33**.
 - Max. moc: 2 W
 - Zakres napięcia: AC 110-240V
 - Wymiary:



OCHRONA ŚRODOWISKA:



Niniejsze urządzenie jest oznakowane zgodnie z Dyrektywą Europejską 2012/19/UE w sprawie zużytego sprzętu elektrycznego i elektronicznego 2013, dotyczącą urządzeń elektrycznych i elektronicznych (WEEE). Kategoria WEEE obejmuje zarówno substancje zanieczyszczające (które mogą powodować negatywne skutki dla środowiska), jak i podstawowe komponenty (które mogą zostać ponownie użyte). Ważne jest odpowiednie obchodzenie się z WEEE, aby prawidłowo usuwać substancje zanieczyszczające oraz odzyskiwać wszystkie materiały. Każdy z nas jest odpowiedzialny za to, by WEEE nie stał się problemem środowiskowym; ważne jest przestrzeganie pewnych podstawowych zasad:

- WEEE nie należy wyrzucać razem ze zwykłymi odpadami domowymi;
- WEEE należy oddać do odpowiednich punktów selektywnej zbiórki odpadów w regionie lub firm zajmujących się ich utylizacją.

W wielu krajach w przypadku WEEE o dużych rozmiarach istnieje możliwość odbioru ich z domu użytkownika. Kiedy kupuje się nowe urządzenie, stare urządzenie można zwrócić sprzedawcy, który odbierze je za darmo na zasadzie „urządzenie za urządzenie”, pod warunkiem, że urządzenie jest odpowiedniego typu i posiada te same funkcje, co nowy dostarczony sprzęt.

UWAGA:

Poniżej pokazano, jak zredukować całkowity wpływ na środowisko (np. zużycie energii) podczas gotowania.

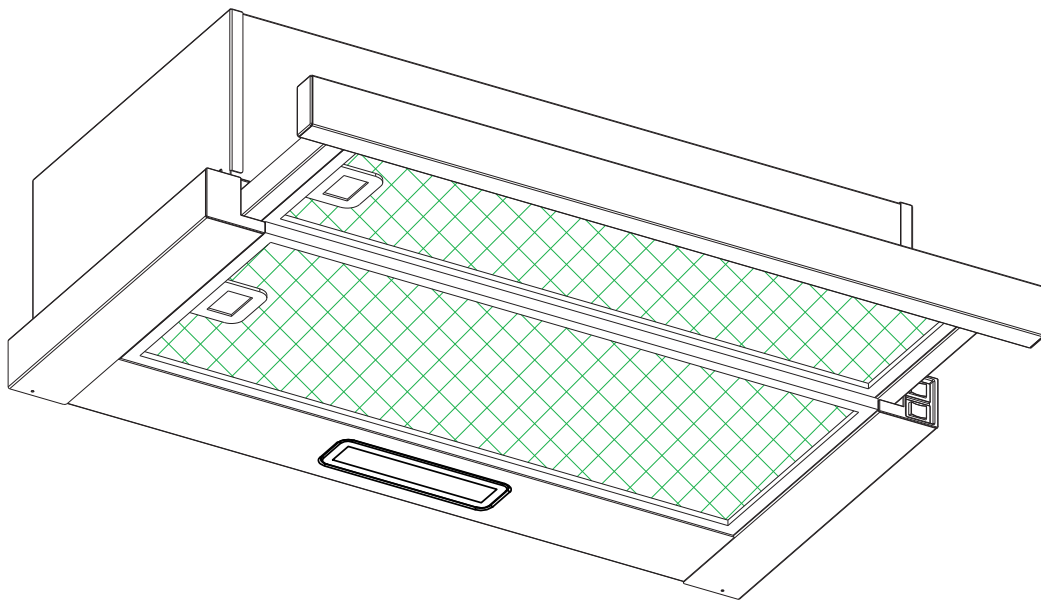
- (1) Zainstaluj okap w odpowiednim miejscu, w którym zapewniona jest skuteczna wentylacja.
- (2) Regularnie czyść okap, aby nie blokować kanałów powietrznych.
- (3) Pamiętaj, aby po zakończeniu gotowania wyłączyć światło okapu kuchennego.
- (4) Pamiętaj, aby po zakończeniu gotowania wyłączyć okap kuchenny.

INFORMACJE DOTYCZĄCE DEMONTAŻU

Nie demontuj urządzenia w sposób niepokazany w instrukcji obsługi. Urządzenie nie może być rozmontowane przez użytkownika. Po zakończeniu użytkowania urządzenia nie należy go wyrzucać wraz z odpadami domowymi. Informacje o recyklingu można otrzymać w miejscowym urzędzie lub u sprzedawcy.

Exaustor

Manual de instruções



Índice

1.....	Instruções de segurança
2.....	Instalação
3.....	Começar a usar o seu exaustor
4.....	Resolução de problemas
5.....	Manutenção e limpeza
6.....	Proteção ambiental

INSTRUÇÕES DE SEGURANÇA

Este manual explica a instalação e a utilização correta do seu exaustor, leia-o atentamente antes de usar o produto, mesmo que já esteja familiarizado com o mesmo. O manual deve ser mantido num local seguro para referência futura.

O que nunca deve fazer:

- Nunca tente usar o exaustor sem os filtros de gordura ou se os filtros estiverem demasiado engordurados!
- Não instale sobre um fogão com um grelhador muito elevado.
- Não deixe frigideiras em uso sem supervisão porque gorduras ou óleos sobreaquecidos podem incendiar-se.
- Nunca deixe chamas desprotegidas debaixo do exaustor.



- Se o exaustor estiver danificado, não tente utilizá-lo.
- Não faça pratos flambé debaixo do exaustor.
- **CUIDADO:** As peças acessíveis podem tornar-se quentes quando usadas com aparelhos para cozinhar.
- A distância mínima entre a superfície de suporte e os recipientes para cozinhar no fogão e na parte mais baixa do exaustor. (Quando o exaustor estiver localizado sobre um aparelho a gás, esta distância deve ser de pelo menos 65 cm.)
- O ar não deve ser descarregado num cano de chaminé usado para evacuar fumos de eletrodomésticos que utilizem gás ou outros combustíveis.



O que deve fazer sempre:

- **Importante!** Desligue sempre a fonte de alimentação na fonte durante instalação e manutenção como, por exemplo, quando troca uma lâmpada.
- O exaustor tem de ser instalado em conformidade com as instruções de instalação e deve cumprir todas as medições indicadas.
- Todo o trabalho de instalação tem de ser realizado por uma pessoa competente ou por um electricista qualificado.
- Elimine o material da embalagem cuidadosamente. As crianças são vulneráveis a este material.
- Preste atenção às extremidades aguçadas no interior do exaustor durante a instalação e limpeza.
- Quando o exaustor estiver colocado por cima de um aparelho a gás, a distância mínima entre a superfície de apoio para os recipientes para cozinhar no fogão e a parte mais baixa do exaustor tem de ser:
Fogões a gás: 75 cm
Fogões elétricos: 65 cm
Fogões a óleo ou carvão: 75 cm
- Certifique-se de que a canalização não tem dobras com um ângulo mais apertado que 90 graus uma vez que isto reduz a eficiência do exaustor.
- **Aviso:** Se os parafusos ou o dispositivo de fixação não forem montados de acordo com estas instruções, podem ocorrer riscos elétricos.

O que deve fazer sempre:

- Coloque sempre tampas nos tachos e panelas quando estiver a cozinhar num fogão a gás.
- Quando no modo de extração, o ar na divisão está a ser removido pelo exaustor. Certifique-se de que estão a ser cumpridas as medidas de ventilação apropriadas. O exaustor remove odores da divisão mas não o vapor.
- O exaustor destina-se apenas a uso doméstico.



- Se o cabo de alimentação estiver danificado, este tem de ser substituído pelo fabricante, pelo agente de serviço ou por pessoas igualmente qualificadas de forma a evitar o perigo.
- Este aparelho pode ser utilizado por crianças de idade igual ou superior a 8 anos e por pessoas com capacidades físicas, sensoriais ou mentais reduzidas ou falta de experiência e conhecimento, caso lhes tenha sido fornecida supervisão ou instruções relativas à utilização do aparelho de forma segura e desde que compreendam os perigos envolvidos. As crianças não devem brincar com o aparelho. A limpeza e manutenção pelo utilizador não deve ser realizada por crianças sem supervisão.



- **Aviso:** Antes de obter acesso a terminais, todos os circuitos de alimentação elétrica têm de estar desligados.

O que deve fazer sempre:

- **Cuidado:** O aparelho e as suas peças acessíveis podem ficar quentes durante o funcionamento. Tenha o cuidado de evitar tocar nos elementos de aquecimento. Crianças com menos de 8 anos devem manter-se afastadas a menos que estejam sob constante supervisão.
- Deverá existir uma ventilação adequada da divisão quando o exaustor estiver a ser usado ao mesmo tempo que aparelhos que funcionam a gás ou outros combustíveis.
- Existe o risco de incêndio se a limpeza não for realizada de acordo com as instruções.
- Os regulamentos referentes à descarga de ar têm de ser acatados.
- Limpe o seu aparelho periodicamente seguindo o método fornecido no capítulo **MANUTENÇÃO**.
- Por motivos de segurança, use apenas o mesmo tamanho de parafuso de montagem ou fixação recomendado neste manual de instruções.
- Em relação a dados sobre o método e sobre a frequência de limpeza, consulte a secção de manutenção e limpeza no manual de instruções.
- A limpeza e a manutenção pelo utilizador não devem ser realizadas por crianças sem supervisão.
- Quando o exaustor e aparelhos com fornecimento de energia que não eletricidade estiverem simultaneamente em funcionamento, a pressão negativa na divisão não deve exceder 4 Pa (4×10^{-5} bar).
- **AVISO:** Perigo de incêndio: não guarde artigos em cima das superfícies para cozinhar.
- Não deve nunca utilizar um aparelho de limpeza a vapor.
- **NUNCA** tente extinguir um incêndio com água, em vez disso desligue o aparelho e, em seguida, cubra a chama com, por exemplo, uma tampa ou um cobertor antifogo.

INSTALAÇÃO (VENTILAÇÃO EXTERIOR)

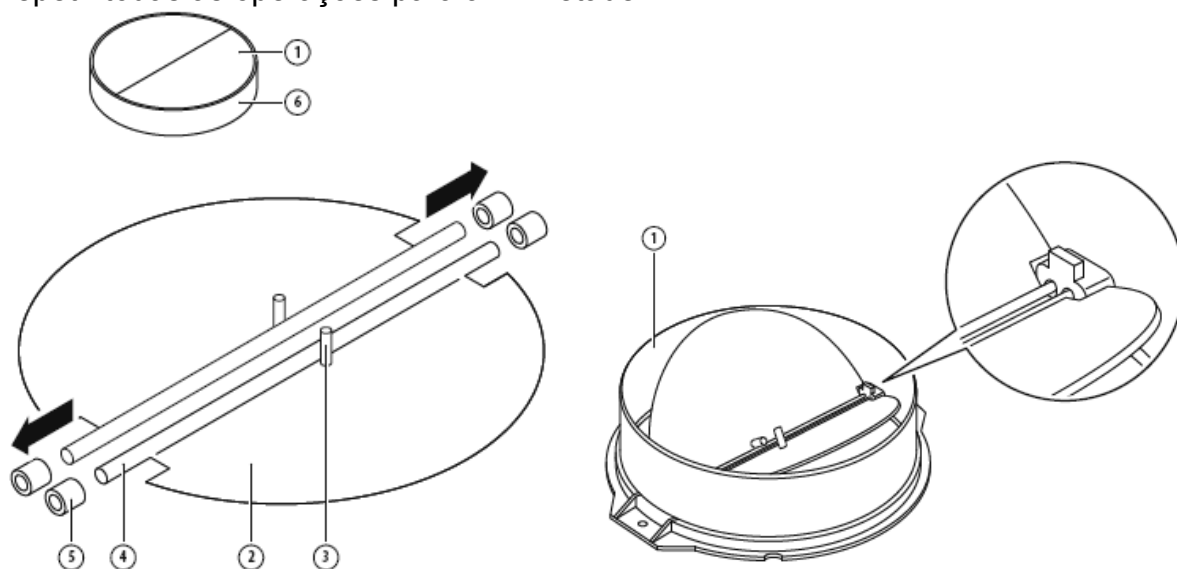
MONTAGEM DA UNIDADE DE ALETAS

**Acessório opcional fornecido apenas com alguns modelos.*

Se o exaustor não tiver uma unidade de aletas 1 montada, deve montar as metades na sua estrutura. As imagens apenas mostram um exemplo de como montar a unidade de aletas, a saída pode ser diferente de acordo com os diferentes modelos e configuração.

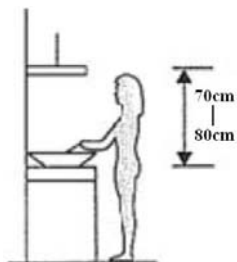
Para montar a unidade de aletas 1 deverá:

- montar duas metades 2 na armação 6;
- um pino 3 deve estar orientado para o topo;
- o eixo 4 deve ser inserido nos orifícios 5 na armação;
- repetir todas as operações para a 2ª metade.

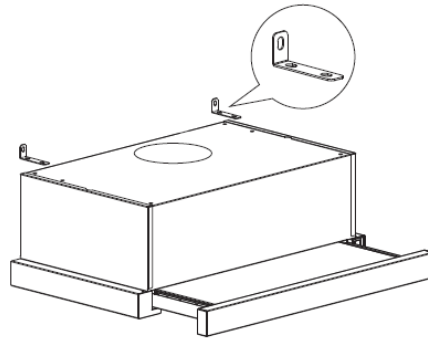


INSTALAÇÃO (montagem na parede)

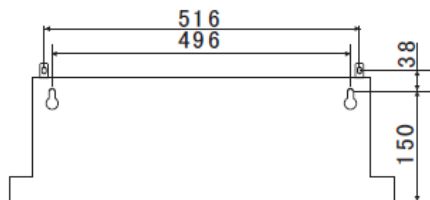
1. Decida a localização dos furos para fixar o exaustor.



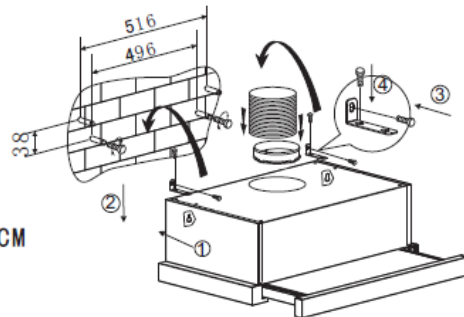
2. Instale o suporte em forma de L sobre o topo do exaustor utilizando dois parafusos (4 mm x 10 mm).



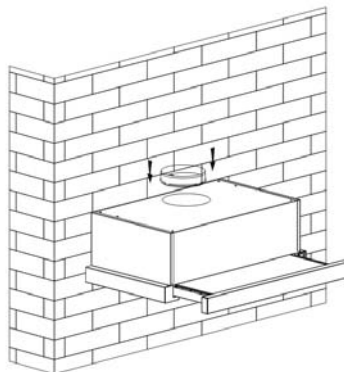
3. O exaustor é montado na parede utilizando 4 parafusos (4 mm x 30 mm) e respectivas buchas.
 Monte o exaustor na parede na parte traseira do exaustor utilizando 2 parafusos (4 mm x 30 mm) e respectivas buchas. Em seguida, fixe o exaustor na parede utilizando 2 parafusos (4 mm x 30 mm) e respectivas buchas através do suporte em forma de L.



6002C (60) CM

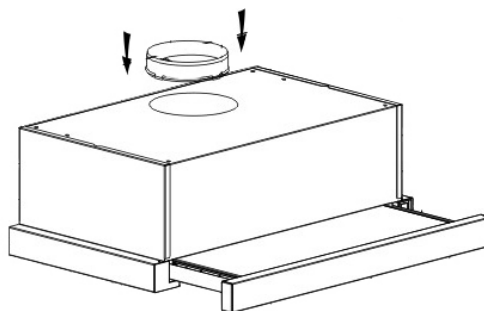


4. Fixe a válvula unidirecional à saída de ar do exaustor.

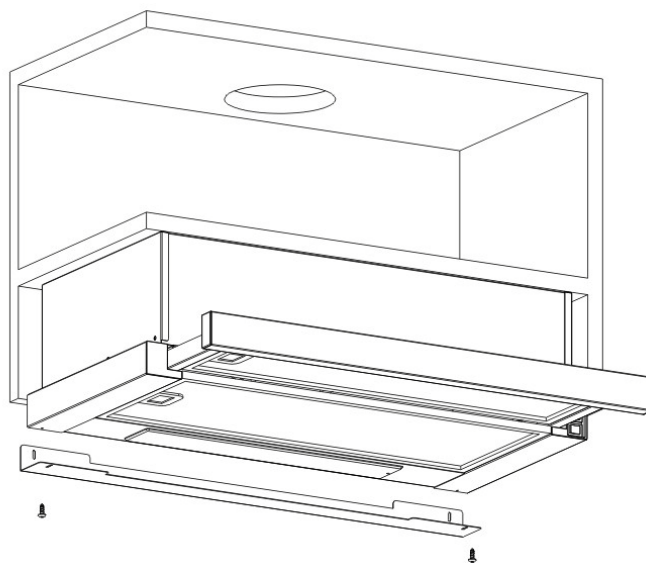
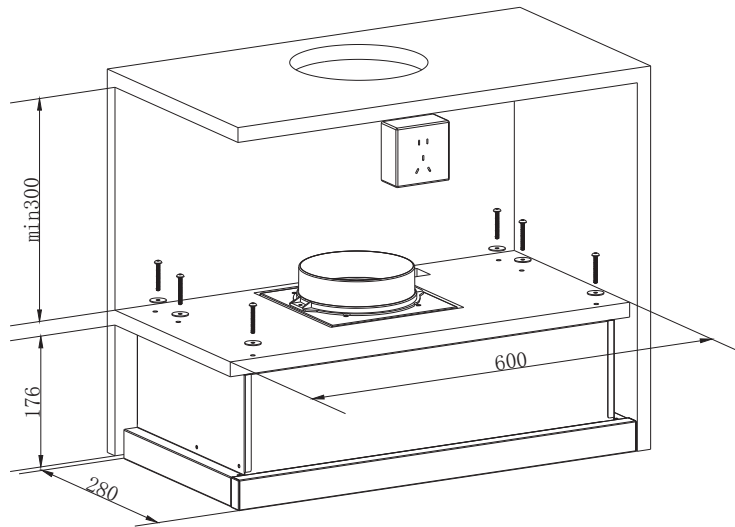
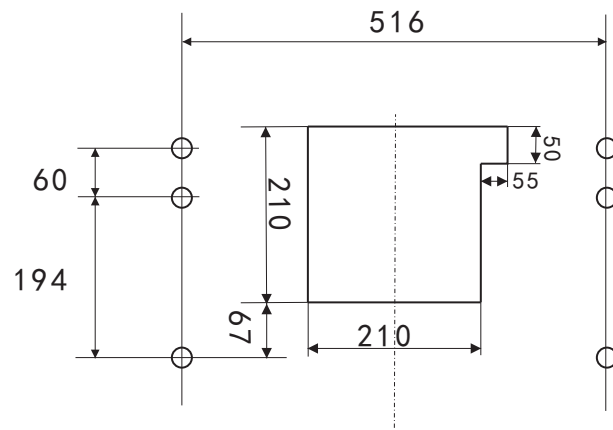


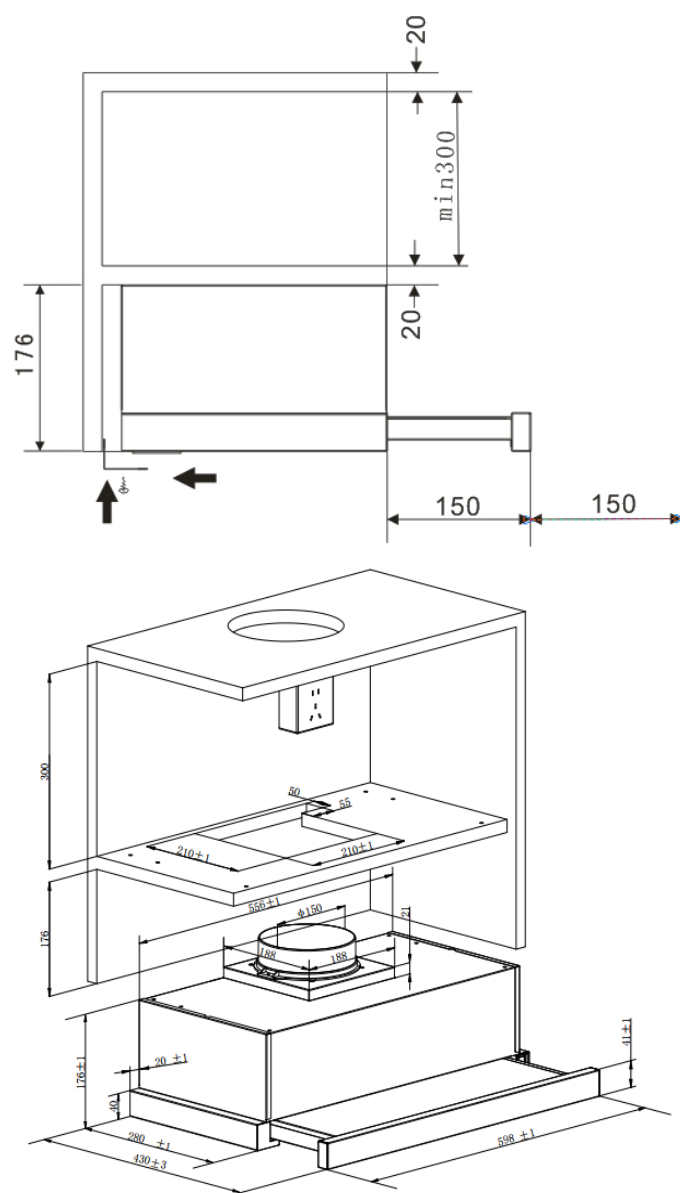
INSTALAÇÃO (montagem em armário)

1. Fixe a válvula unidirecional à saída de ar do exaustor.



2. Monte o exaustor no armário utilizando 6 parafusos (4 x 35 mm) e anilhas planas.






Se existir um intervalo entre a parede e o exaustor, pode instalar o suporte em forma de L na parte inferior do exaustor utilizando dois parafusos (3 x 12 mm).

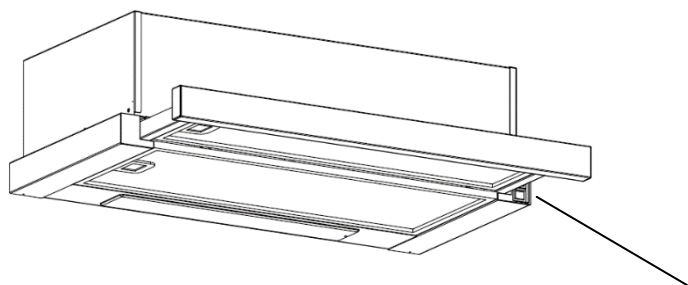
A instalação do suporte em forma de L é opcional.

Nota: O tubo de expansão não está incluído no produto.

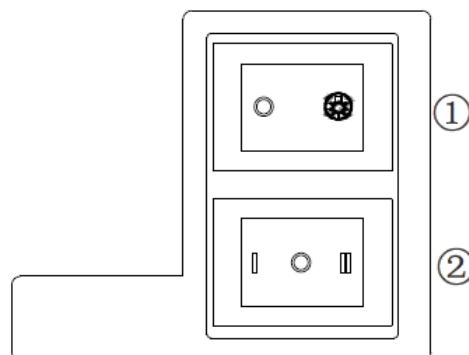
<p>AVISO:</p> 	<ul style="list-style-type: none"> ➤ Por motivos de segurança, use apenas o mesmo tamanho de parafuso de montagem ou fixação recomendado neste manual de instruções. ➤ Se os parafusos ou o dispositivo de fixação não forem montados de acordo com estas instruções, podem ocorrer riscos elétricos.
---	---

Começar a utilizar o exaustor

Interruptor basculante



Interruptor basculante



1. Introduza a ficha de alimentação na tomada.
2. Pressione o interruptor ① para , a lâmpada irá então acender-se; pressione o interruptor ① para "0" , e a lâmpada irá apagar-se.
3. Pressione o interruptor ② para "I, II" , o motor será colocado nas duas velocidades "low、high" , pressione o interruptor para "0" , o motor irá desligar-se.
4. A alimentação será ligada quando remover o painel frontal. No sentido inverso, a alimentação será desligada automaticamente.

RESOLUÇÃO DE PROBLEMAS

Problema	Causa possível	Solução
Luz acesa, mas o motor não funciona	Interruptor de ventoinha desligado	Selecione uma posição do interruptor da ventoinha
	Falha do interruptor da ventoinha	Contacte o centro de serviço.
	Falha do motor	Contacte o centro de serviço.
A luz não acende, o motor não funciona	Fusíveis domésticos fundidos	Volte a ligar/substitua os fusíveis.
	Cabo de alimentação solto ou desligado	Volte a ligar o cabo à tomada. Ligue a alimentação.
Fuga de óleo	A válvula unidirecional e a saída não estão bem vedadas	Retire a válvula unidirecional e vede com vedante.

	Fuga na ligação da chaminé e cobertura.	Retire a chaminé e vede.
As luzes não funcionam	Globos quebrados/defeituosos	Substitua os globos de acordo com esta instrução.
Aspiração insuficiente	A distância entre o exaustor e a boca a gás é demasiado grande	Volte a posicionar o exaustor de acordo com uma distância correta.
O exaustor está inclinado	O parafuso de fixação não está suficientemente apertado	Aperte o parafuso de pendurar e certifique-se de que fica na horizontal.

NOTA:



Quaisquer reparações elétricas a este aparelho devem estar em conformidade com as suas leis locais, estatais e federais. Contacte o centro de assistência se tiver alguma dúvida antes de efetuar alguma das operações acima. Desligue sempre a unidade da rede quando abrir a unidade.

MANUTENÇÃO E LIMPEZA

Cuidado:

- Antes de realizar a manutenção ou limpeza, o exaustor deve ser desligado da fonte de alimentação. Certifique-se de que o exaustor está desligado da tomada de parede e que a ficha está retirada da tomada.
- As superfícies externas são suscetíveis a riscos e abrasões, por isso siga as instruções de limpeza para se certificar de que obtém o melhor resultado possível sem ocorrência de danos.



ASPETOS GERAIS

A limpeza e manutenção deverão ser efetuadas com o aparelho frio especialmente quando se limpa. Evite deixar substâncias alcalinas ou ácidas (sumo de limão, vinagre, etc.) nas superfícies.

AÇO INOXIDÁVEL

O aço inoxidável deve ser limpo regularmente (ou seja, semanalmente) para garantir uma longa esperança de vida. Seque com um pano macio e limpo. Pode utilizar um líquido de limpeza especializado para aço inoxidável.

NOTA:

Certifique-se de que a limpeza é realizada ao longo do grão do aço inoxidável para impedir a formação de padrões cruzados antiestéticos.

SUPERFÍCIE DO PAINEL DE CONTROLO

O painel de controlo incorporado pode ser limpo usando água com sabão. Certifique-se de que o pano está limpo e bem espremido antes de realizar a limpeza. Utilize um pano macio seco para remover humidade em excesso existente após a limpeza.

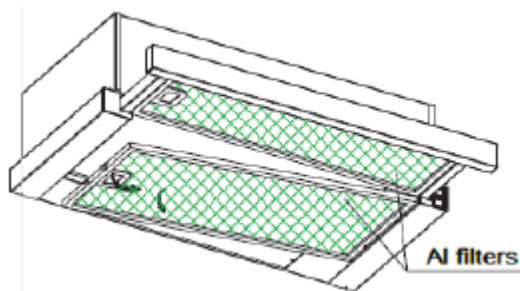
Importante

Use detergentes neutros e evite o uso de químicos de limpeza abrasivos, detergentes domésticos fortes ou produtos com abrasivos, uma vez que estes afetarão a aparência do aparelho e potencialmente removerão qualquer impressão de ilustrações do painel de controlo e invalidarão a garantia do fabricante.

FILTROS DE REDE DE GORDURA

Os filtros de rede podem ser limpos manualmente. Mergulhe-os durante cerca de três minutos em água com um detergente de libertação de gordura e, em seguida, escove-os suavemente com uma escova suave. Não aplique muita pressão, para evitar danificar os filtros. (Deixe secar naturalmente sem exposição direta à luz solar.)

Os filtros devem ser limpos separadamente de utensílios de cozinha e louça. É aconselhável que não use abrillantador.



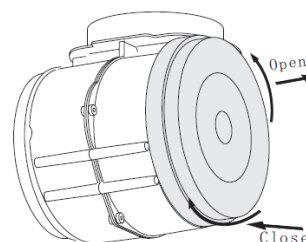
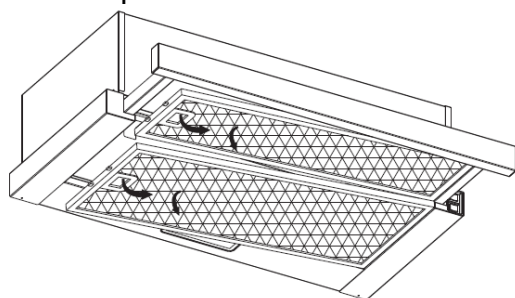
INSTALAR OS FILTROS DE REDE DE GORDURA

- Siga os quatro passos a seguir para instalar os filtros.
- Oriente o filtro de acordo com as ranhuras na parte traseira do exaustor.
- Pressione o botão na pega do filtro.
- Liberte a pega assim que o filtro encaixar numa posição de repouso.
- Repita a ação para instalar todos os filtros.

FILTRO DE CARBONO - não fornecido

É possível usar um filtro de carvão ativado para captar odores. Normalmente o filtro de carvão ativado deve ser substituído a cada três ou seis meses consoante os seus hábitos de cozinhar. O procedimento de instalação do filtro de carvão ativado é indicado a seguir.


- (1) Deslize a parte dianteira do exaustor.
- (2) O filtro de alumínio deve ser desprendido primeiro. Pressione o fecho e puxe-o para baixo.
- (3) Retire o filtro de carbono rodando o filtro de carbono no sentido contrário aos ponteiros do relógio.
- (4) Substitua pelo novo filtro de carbono.



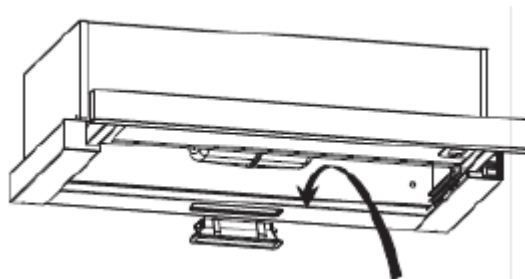
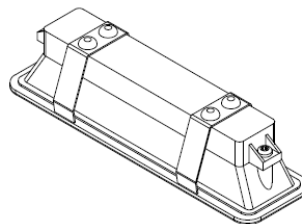
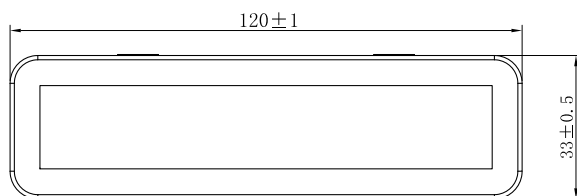
NOTA:

- Certifique-se de que o filtro está bem preso. Caso contrário, este pode soltar-se e pode constituir um perigo.
- Com um filtro de carvão ativado instalado, o poder de aspiração será reduzido.

SUBSTITUIÇÃO DA LÂMPADA

<p>Importante:</p> 	<ul style="list-style-type: none">✧ A lâmpada tem de ser substituída pelo fabricante, pelo seu agente de serviço ou por pessoas igualmente qualificadas.✧ Desligue sempre a fonte de alimentação antes de realizar quaisquer operações no aparelho. Ao manusear a lâmpada, certifique-se de que esta está completamente fria antes de qualquer contacto com as mãos.✧ Ao manusear os globos segure-os com um pano ou com luvas para se certificar que a transpiração não entra em contacto com os mesmos uma vez que isso pode reduzir a vida útil do globo.
--	--

- (1) Desligue o aparelho e desconecte-o da tomada.
- (2) Deslize a parte dianteira do exaustor.
- (3) O filtro de alumínio deve ser desprendido primeiro. Pressione o fecho e puxe-o para baixo.
- (4) Substitua por uma luz do mesmo tipo. LED de 110-240 V~50 Hz, MÁX. 2 W.
 - O código ILCOS D para esta lâmpada é: DBS-2/65-H-120/33.
 - Tensão máx.: 2 W
 - Gama de tensão: CA 110-240 V
 - Dimensões:



PROTEÇÃO DO AMBIENTE:



Este aparelho está rotulado em conformidade com a Diretiva Europeia 2012/19/UE relativa aos resíduos de equipamentos elétricos e eletrónicos (REEE) 2013 em relação aos aparelhos elétricos e eletrónicos. Os REEE contêm substâncias poluentes (que podem ter um efeito negativo no meio ambiente) e elementos base (que podem ser reutilizados). É importante que os REEE sejam submetidos a tratamentos específicos para remover e eliminar os poluentes e recuperar todos os materiais. As pessoas podem desempenhar um papel importante para garantir que os REEE não representem um problema ambiental; é essencial que sejam cumpridas algumas normas básicas:

- Os REEE não devem ser tratados como lixo doméstico;
- Os REEE devem ser levados para áreas de recolha dedicadas administradas pelo município ou por uma empresa registada.

Em muitos países, as recolhas domésticas podem estar disponíveis para grandes REEEs.

Quando compra um aparelho novo, o antigo pode ser devolvido ao revendedor, que deve aceitar tratar da recolha gratuitamente, desde que o aparelho seja de um tipo equivalente e tenha as mesmas funções do aparelho fornecido.

NOTA:

A seguir indicamos como reduzir o impacto ambiental total (por ex. uso energético) do processo de cozinhar.

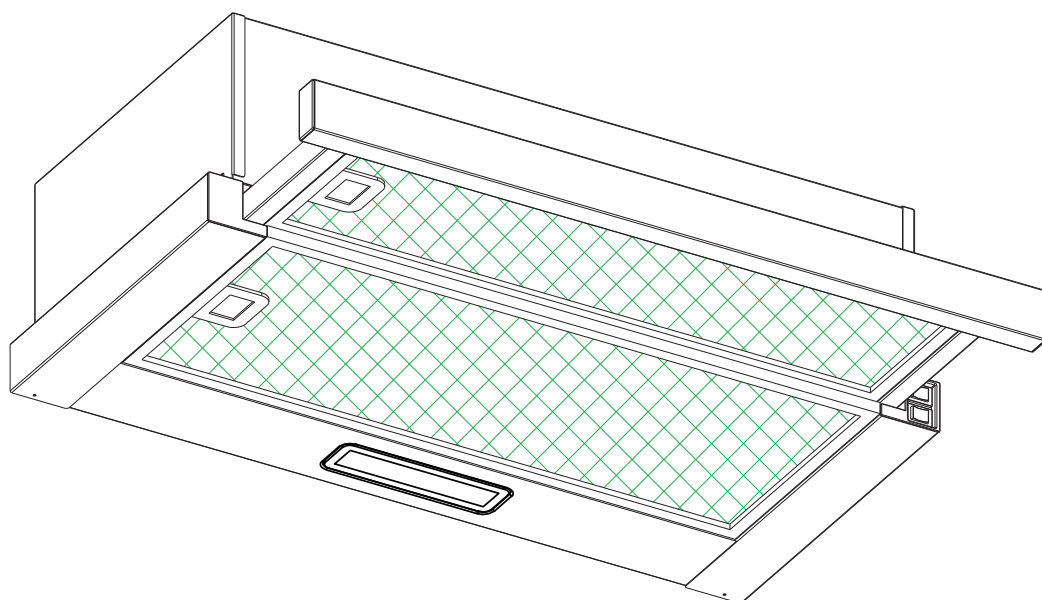
- (1) Instale o exaustor num local adequado onde exista uma ventilação eficiente.
- (2) Limpe o exaustor regularmente de modo a não bloquear as vias aéreas.
- (3) Lembre-se de desligar a luz do exaustor depois de cozinhar.
- (4) Lembre-se de desligar o exaustor depois de cozinhar.

INFORMAÇÃO SOBRE DESMANTELAMENTO

Não desmonte o aparelho de um modo não indicado no manual de instruções. O aparelho não pode ser desmontado pelo utilizador. No final da sua vida útil, o aparelho não deve ser eliminado juntamente com os resíduos domésticos. Consulte a sua autoridade local ou retentor em relação a conselhos de reciclagem.

Kuchynský odsávač

Návod na obsluhu



Obsah

- 1.....Bezpečnostné pokyny
- 2.....Inštalácia
- 3.....Prvé kroky pri používaní kuchynského odsávača
- 4.....Riešenie problémov
- 5.....Údržba a čistenie
- 6.....Ochrana životného prostredia

BEZPEČNOSTNÉ POKYNY

Tento návod obsahuje informácie týkajúce sa správnej inštalácie a používania kuchynského odsávača. Pred začatím používania si ho dôkladne prečítajte, a to aj v prípade, že ste sa už s produktom oboznámili. Návod uschovajte na bezpečnom mieste, aby ste doň mohli nahliadnuť v prípade potreby v budúcnosti.

Nikdy nerobte nasledujúce činnosti:

- Nepokúšajte sa používať kuchynský odsávač bez tukových filtrov, alebo ak sú filtre nadmerne zanesené tukom!
- Neinštalujte nad sporák s grilom vo veľkej výške.
- Počas používania nenechávajte panvice bez dohľadu, pretože prehriate tuky alebo oleje môžu vzplanúť.
- Nikdy nenechávajte pod kuchynským odsávačom horieť otvorený plameň.



- Ak je kuchynský odsávač poškodený, nesnažte sa ho používať.
- Pod kuchynským odsávačom nevlambujte.
- **UPOZORNENIE:** Pri používaní s kuchynskými spotrebičmi sa nekryté časti môžu zahrievať na vysoké teploty.
- Minimálna vzdialenosť medzi opornou plochou varných nádob na platni sporáka a najnižšou časťou kuchynského odsávača. (Keď sa kuchynský odsávač nachádza nad plynovým spotrebičom, musí sa dodržať minimálna vzdialenosť 65 cm.)
- Vzduch sa nesmie odvádzať do komína, ktorý slúži na odvádzanie výfukových plynov zo spotrebičov spaľujúcich plyn alebo iné palivá.



Vždy dodržiavajte nasledujúce pokyny:

- **Dôležité!** Pred začatím inštalácie a údržby, napríklad pred výmenou žiarovky, zakaždým vypnite prívod elektrickej energie z napájacej siete.
- Kuchynský odsávač sa musí inštalovať v súlade s inštaláčnymi pokynmi a musia sa dodržať všetky rozmery.
- Všetky inštaláčne práce musí vykonávať kompetentná osoba alebo kvalifikovaný elektrikár.
- Dohliadnite na správnu likvidáciu baliaceho materiálu. Predstavuje nebezpečenstvo pre deti.
- Dávajte pozor na ostré hrany vo vnútri kuchynského odsávača, predovšetkým počas inštalácie a čistenia.
- Ak sa kuchynský odsávač nachádza nad plynovým spotrebičom, medzi opornou plochou varných nádob na platni sporáka a najnižšou časťou kuchynského odsávača musí byť zachovaná nasledujúca minimálna vzdialenosť:
Plynové sporáky: 75 cm
Elektrické sporáky: 65 cm
Sporáky na uhlie alebo vykurovací olej: 75 cm
- Uistite sa, že sa na potrubnom vedení nenachádzajú ohyby ostrejšie než 90 stupňov, pretože v opačnom prípade sa zníži účinnosť kuchynského odsávača.
- **Výstraha:** V prípade nenainštalovania skrutiek alebo upevňovacieho zariadenia v súlade s týmito pokynmi môže hroziť úraz elektrickým prúdom.

Vždy dodržiavajte nasledujúce pokyny:

- Pri príprave pokrmov na plynovom sporáku vždy zakrývajte hrnce a panvice pokrievkami.
- Kuchynský odsávač počas prevádzky v režime odsávania odvádza vzduch z miestnosti. Dohliadnite na dodržiavanie vhodných opatrení týkajúcich sa vetrania. Kuchynský odsávač odstraňuje z miestnosti pachy, no neodstraňuje paru.
- Kuchynský odsávač pár je určený iba na použitie v domácnosti.



- Ak je prívodný kábel poškodený, musí ho vymeniť výrobca, jeho servisný zástupca alebo osoby s podobnou kvalifikáciou, aby sa predišlo nebezpečenstvu.
- Deti staršie ako 8 rokov a osoby s obmedzenými fyzickými, zmyslovými alebo duševnými schopnosťami alebo s nedostatkom skúseností a vedomostí môžu používať tento spotrebič, ak sú pod dohľadom alebo dostali pokyny týkajúce sa bezpečného používania spotrebiča a ak rozumejú možným rizikám. Deti sa so spotrebičom nesmú hrať. Čistenie a údržbu nesmú vykonávať deti bez dozoru.



- **Výstraha:** Pred sprístupnením elektrických svoriek treba bezpodmienečne odpojiť všetky napájacie obvody.

Vždy dodržiavajte nasledujúce pokyny:

- **Upozornenie:** Spotrebič a jeho nekryté časti sa počas prevádzky môžu zahrievať na vysoké teploty. Dávajte pozor, aby ste sa nedotkli nahriatych prvkov. Deti mladšie než 8 rokov nesmú mať prístup k zariadeniu, pokiaľ nie sú pod neustálym dozorom.
- Ak sa kuchynský odsávač používa súčasne so spotrebičmi spaľujúcimi plyn alebo iné palivá, treba zaistiť dostatočné vetranie miestnosti.
- Ak sa nevykonáva čistenie v súlade s pokynmi, hrozí riziko požiaru.
- Je potrebné zaistiť plnenie nariadení týkajúcich sa odvádzania vzduchu.
- Spotrebič pravidelne čistite podľa postupu uvedeného v kapitole ÚDRŽBA.
- Z bezpečnostných dôvodov používajte iba tie veľkosti upevňovacích alebo montážnych skrutiek, ktoré sú odporúčané v tomto návode na obsluhu.
- Podrobné informácie o postupe a intervaloch čistenia nájdete v časti tohto návodu na obsluhu venovanej údržbe a čisteniu.
- Deti bez dozoru nesmú čistiť spotrebič ani vykonávať jeho bežnú údržbu.
- Keď sa kuchynský odsávač používa súčasne so spotrebičmi napájanými inou než elektrickou energiou, záporný tlak v miestnosti nesmie prekročiť 4 Pa (4×10^{-5} bar).
- **VÝSTRAHA:** Nebezpečenstvo požiaru: na povrch varnej dosky neodkladajte žiadne predmety.
- Nepoužívajte parný čistič.
- Požiar sa NIKDY nepokúšajte hasiť vodou. Vypnite spotrebič a potom zakryte plameň napr. pokrievkou alebo hasiacou dekou.

INŠTALÁCIA (ODVETRÁVANIE DO EXTERIÉRU)

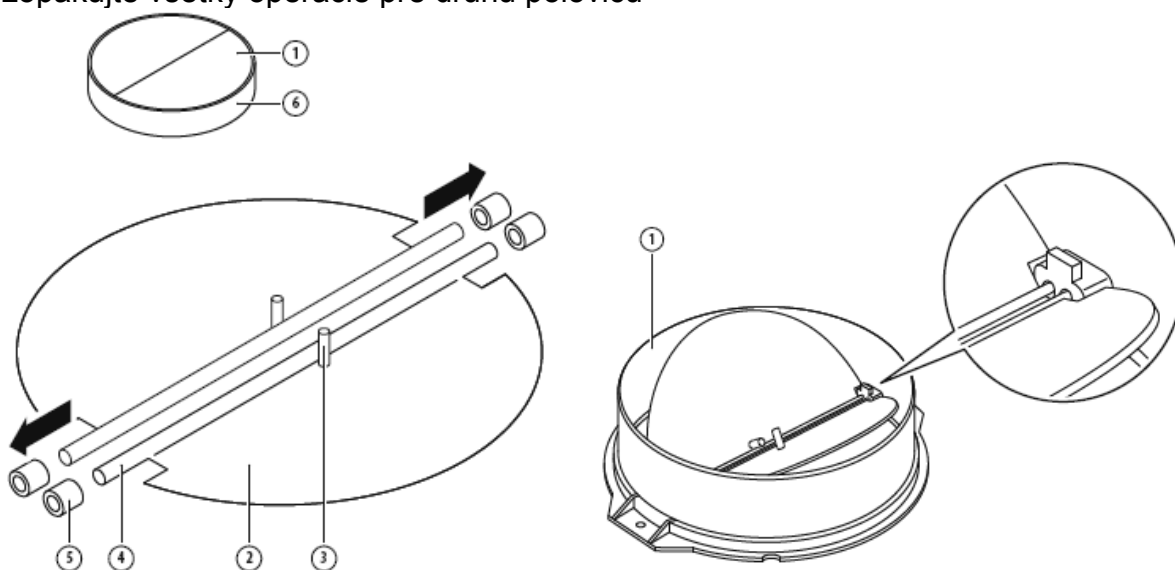
MONTÁŽ V-KLAPKY

**Voliteľné príslušenstvo dodávané len s niektorými modelmi.*

Ak odsávač pár nemá zostavenú V-klapku 1, mali by ste pripevniť jej polovice na jeho telo. Obrázky zobrazujú len príklad montáže V-klapky, výstup môže byť rôzny podľa rôznych modelov a konfigurácie.

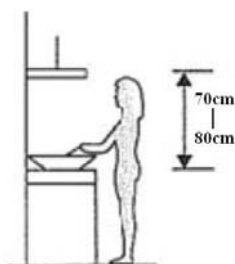
Pri montáži V-klapky 1 by ste mali:

- Namontovať dve polovice 2 do tela 6
- kolík 3 by mal byť orientovaný smerom nahor;
- os 4 by sa mala vložiť do otvorov 5 na tele;
- zopakujte všetky operácie pre druhú polovicu

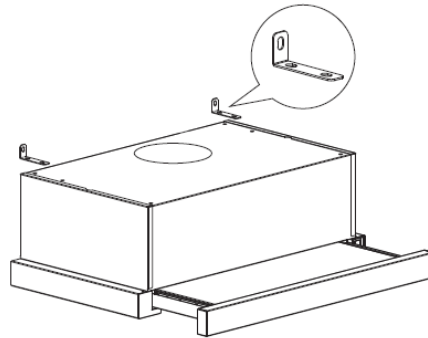


INŠTALÁCIA (montáž na stenu)

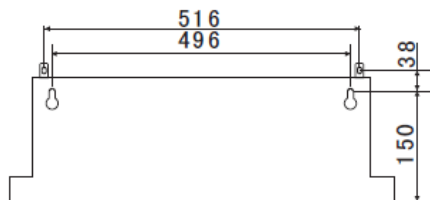
1. Rozhodnite sa o umiestnení otvorov na upevnenie odsávača pár.



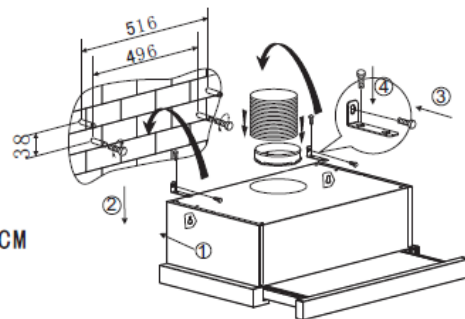
2. Nainštalujte držiak v tvare písmena L na hornú časť krytu pomocou dvoch skrutiek (4 mm x 10 mm)



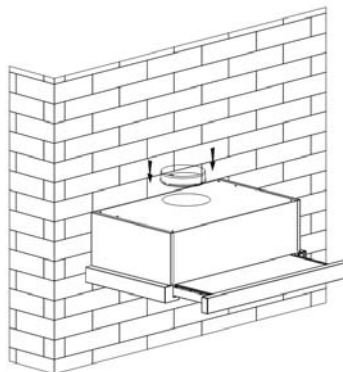
3. Odsávač pár je namontovaný na stenu pomocou 4 skrutiek (4 mm x 30 mm) a nástenných zátoč.
 Namontujte odsávač pár na stenu jeho zadnou stranou pomocou dvoch skrutiek (4 mm x 30 mm) a nástenných zátoč. Potom upevnite odsávač pár na stenu dvoma skrutkami (4 mm x 30 mm) a nástennými zátkami cez malý držiak v tvare písmena L.



6002C (60) CM

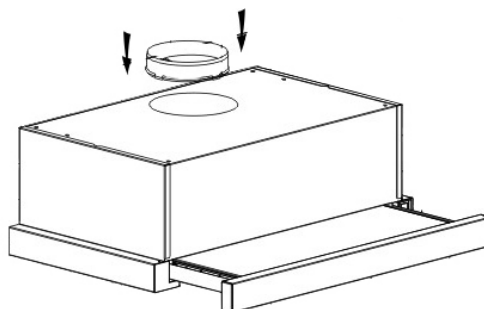


4. Pripojte jednosmerný ventil k výstupu vzduchu na odsávači pár.

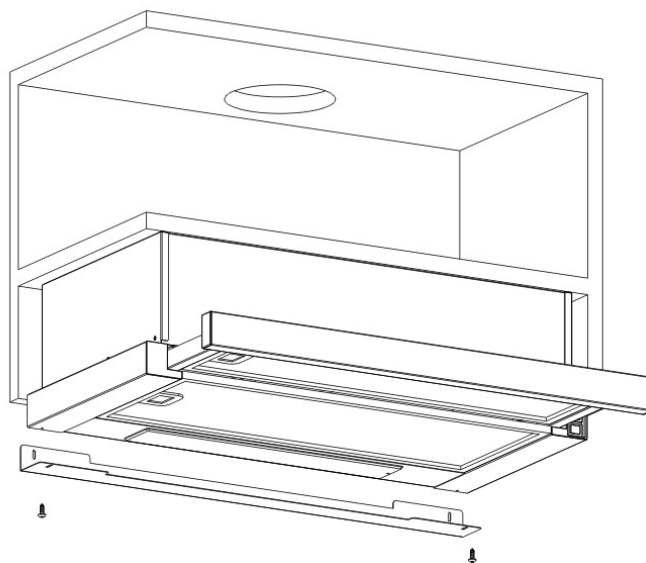
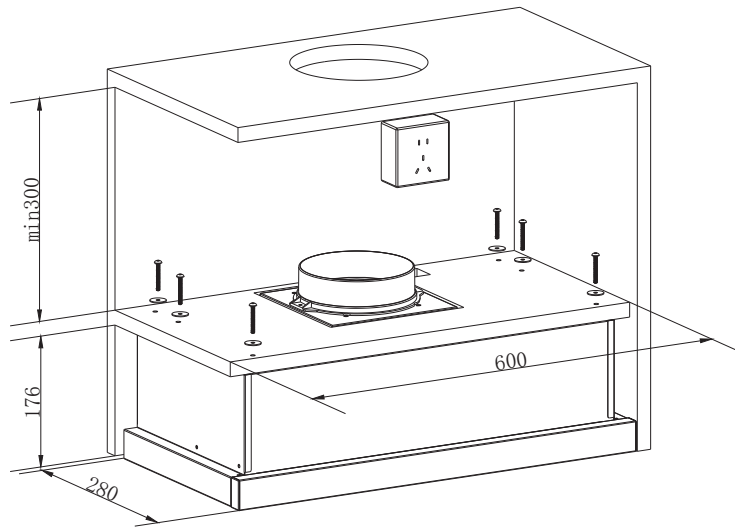
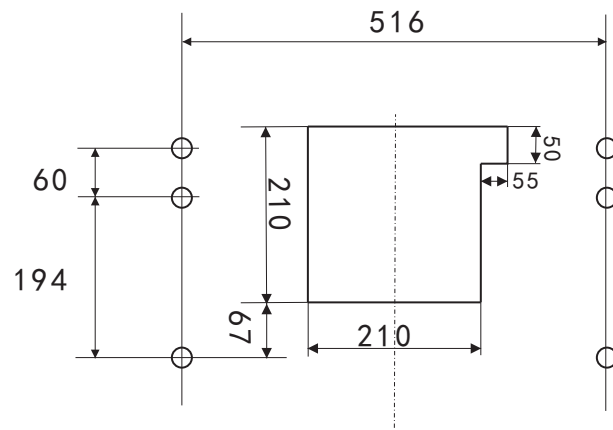


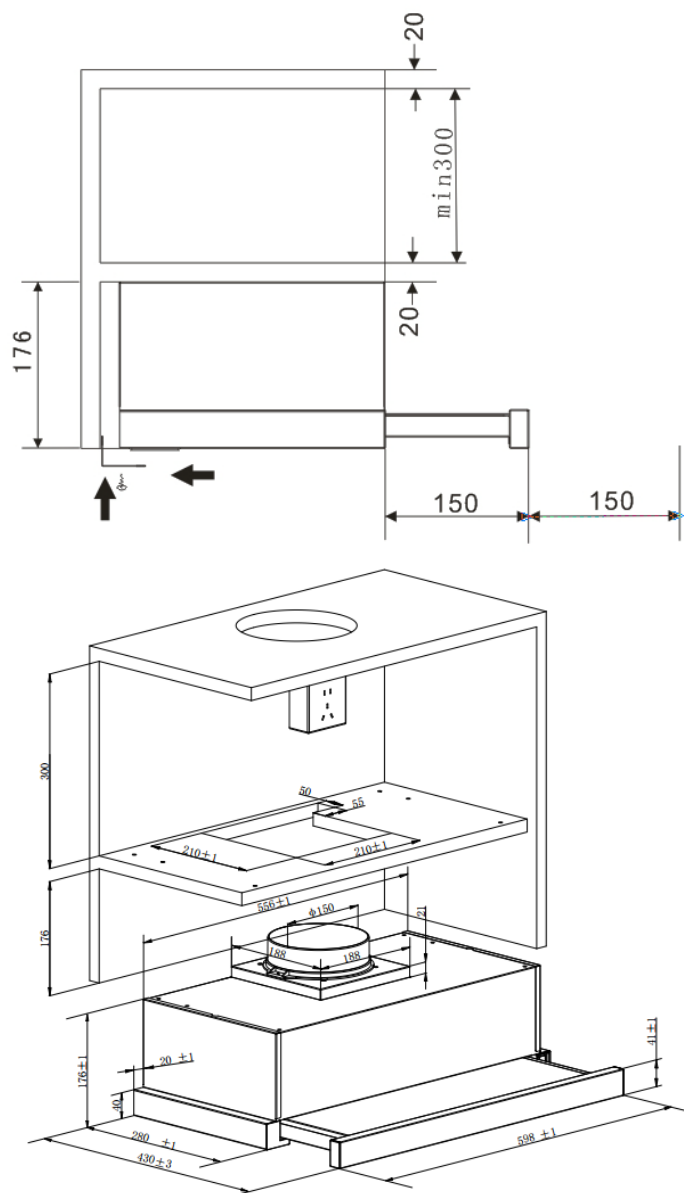
INŠTALÁCIA (montáž skrinky)

1. Pripojte jednosmerný ventil k výstupu vzduchu na odsávači pár.




2. Namontujte odsávač pár na skrinku pomocou 6 skrutiek (4 x 35 mm) a s plochými podložkami.



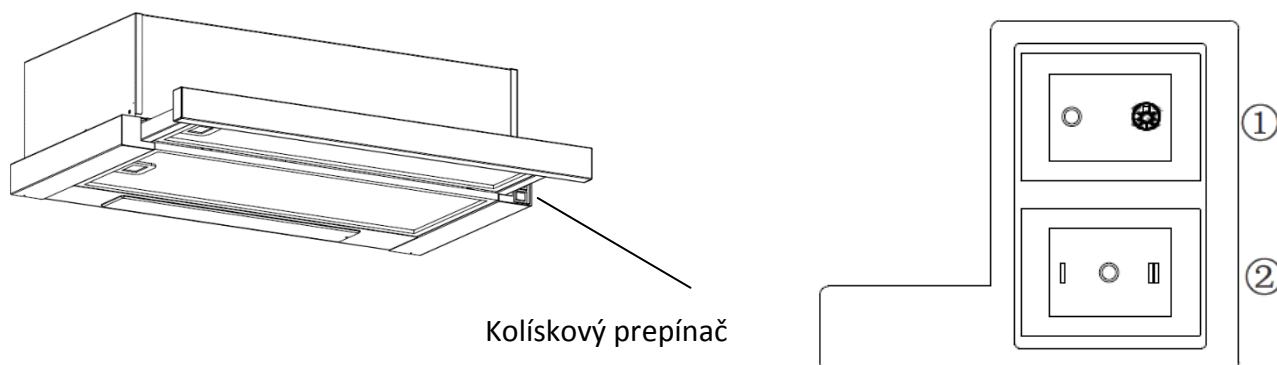


Ak existuje medzera medzi stenou a odsávačom pár, nainštalujte držiak v tvare písmena L na spodnú časť krytu pomocou dvoch skrutiek (3 x 12 mm).
 Inštalácia držiaka v tvare písmena L je voliteľná.
 Poznámka: Expanzné potrubie nie je súčasťou výrobku.

<p>VÝSTRAHA:</p> 	<ul style="list-style-type: none"> ➤ Z bezpečnostných dôvodov používajte iba tie veľkosti upevňovacích alebo montážnych skrutiek, ktoré sú uvedené v tomto návode na obsluhu. ➤ V prípade nenai nštalovania skr utiek al ebo upevňovacieho zariadenia v súlade s týmito pokynmi môže hroziť úraz elektrickým prúdom.
--	--

Prvé kroky pri používaní kuchynského odsávača

Kolískový prepínač



1. Zasuňte sieťovú zástrčku do zásuvky.
2. Stlačte prepínač ①, kontrolka svieti; stlačte prepínač ① do polohy "0", kontrolka zhasne.
3. Stlačte prepínač ② do polohy "I alebo II", motor bude bežať na "nízkej alebo vysokej" rýchlosti (dve rýchlosti), prepnite prepínač do polohy "0", motor sa vypne.
4. Keď vytiahnete predný panel, spotrebič sa pripojí k napájaniu. Naopak, keď zatlačíte panel späť, napájanie sa automaticky odpojí.

RIEŠENIE PROBLÉMOV

Chyba	Možná príčina	Riešenie
Svetlo svieti, ale motor nepracuje	Vypnutý prepínač ventilátora	Vyberte polohu prepínača ventilátora.
	Porucha prepínača ventilátora	Obráťte sa na servisné stredisko.
	Porucha motora	Obráťte sa na servisné stredisko.
Svetlo nesvieti, motor nepracuje	Vypálené poistky v dome.	Resetujte/vymeňte poistky.
	Voľný alebo odpojený napájací kábel	Kábel znova zapojte do elektrickej zásuvky. Zapnite elektrickú zásuvku.
Únik oleja	Nedostatočné utesnenie jednosmerného ventilu a výstupu	Odmontujte jednosmerný ventil a utesnite tesniacim prostriedkom.
	Únik cez pripojenie medzi komínom a krytom	Odmontujte a utesnite komín.

Svetlá nesvietia	Rozbité/chybné žiarovky	Vymeňte žiarovky podľa tejto príručky.
Nedostatočné odsávanie	Príliš veľká vzdialenosť medzi kuchynským odsávačom a vrchnou časťou sporáka	Kuchynský odsávač namontujte do správnej vzdialenosti.
Kuchynský odsávač sa nakláňa	Nedostatočne utiahnutá upevňovacia skrutka	Utiahnite závesnú skrutku a uveďte ju do vodorovnej polohy.

POZNÁMKA:



Všetky opravy elektrických komponentov tohto spotrebiča musia prebiehať v súlade s platnými miestnymi, štátnymi a federálnymi zákonmi. V prípade akýchkoľvek pochybností sa obráťte na servisné stredisko, skôr než sa pustíte do takýchto prác. Zariadenie pred otvorením vždy odpojte od zdroja napájania.

ÚDRŽBA A ČISTENIE

Upozornenie:

- Pred začatím vykonávania údržby alebo čistenia odpojte kuchynský odsávač od hlavného zdroja elektrického napájania. Uistite sa, že kuchynský odsávač je vypnutý a zástrčka je vytiahnutá zo zásuvky.



- Vonkajšie povrchy sú citlivé a je možné ich ľahko poškriabať alebo odrieť, preto dodržiavajte pokyny týkajúce sa čistenia, aby ste dosiahli najlepšie možné výsledky bez poškodenia.

VŠEOBECNÉ

Údržbu a predovšetkým čistenie vykonávajte na vychladnutom spotrebiči. Dávajte pozor, aby sa na povrchy nedostali zásadité ani kyslé látky (citrónová šťava, ocot a pod.).

NEHRDZAVEJÚCA OCEĽ

Nehrdzavejúca oceľ sa musí pravidelne (každý týždeň) čistiť, aby sa zaistila dlhá životnosť. Na osušenie po čistení použite čistú, jemnú handričku. Môže sa používať špeciálna čistiaca kvapalina na nehrdzavejúcu oceľ.

POZNÁMKA:

Utieranie vykonávajte v smere pozdĺž textúry nehrdzavejúcej ocele, aby na nej nezostali nevzhľadné šmuhy.

POVRCH OVLÁDACIEHO PANELA

Vložku ovládacieho panela možno čistiť teplou mydlovou vodou. Pred čistením sa uistite, či je handra čistá a dôkladne vyžmýkaná. Po čistení utrite zvyšnú vlhkosť suchou, jemnou handričkou.

Dôležité

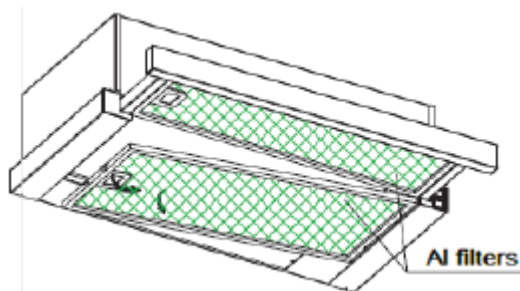
Používajte neutrálne čistiace prostriedky a nepoužívajte agresívne čistiace chemikálie ani silné čistiace prostriedky určené na použitie v domácnosti alebo produkty obsahujúce brúsivá, pretože negatívne vplyvajú na vzhľad výrobku, môžu odstrániť

symboly vytlačené na ovládacom paneli a ich použitie povedie k zániku záruky od výrobcu.

DRÔTENÉ TUKOVÉ FILTRE

Drôtené filtre sa dajú čistiť ručne. Namočte filtre na dobu asi 3 minút do vody s čistiacim prostriedkom na uvoľnenie mastnoty a jemne ich očistite mäkkou kefou . Nepoužívajte príliš veľký tlak, vyhýbajte sa poškodeniu. (Nechajte prirodzene vyschnúť, nie na priamom slnečnom svetle)

Filtre by mali byť umývané samostatne od riadu a kuchynských potrieb. Odporúča sa nepoužívať leštidlo.



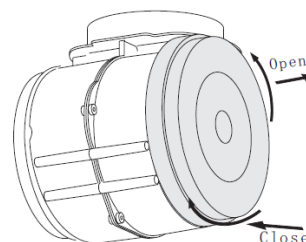
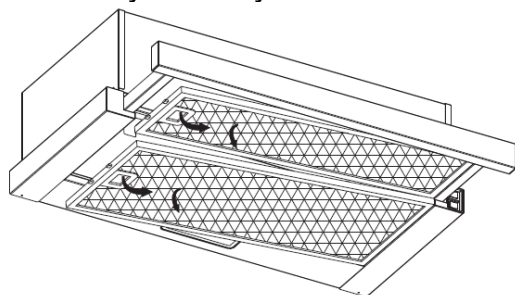
INŠTALÁCIA DRÔTENÝCH TUKOVÝCH FILTROV

- Postup inštalácie filtrov je uvedený v nasledujúcich štyroch krokoch.
- Filter nasmerujte do otvorov na zadnej strane odsávača pár.
- Stlačte tlačidlo na rukoväti filtra.
- Po vložení filtra do kľudovej polohy uvoľnite rukoväť.
- Ak chcete nainštalovať všetky filtre, postup opakujte.

UHLÍKOVÝ FILTER - nie je súčasťou balenia

Filter s aktívnym uhlím je možné použiť na zachytenie zápachu. V závislosti od frekvencie Vášho varenia by mal byť filter aktívneho uhlia vymenený v rozmedzí troch alebo šiestich mesiacov. Postup inštalácie filtra s aktívnym uhlím je uvedený nižšie.


- (1) Vysuňte prednú časť odsávača pár.
- (2) Najprv treba odpojiť hliníkový filter. Stlačte zámok a potiahnite ho smerom nadol.
- (3) Vytiahnite uhlíkový filter jeho otáčaním proti smeru hodinových ručičiek
- (4) Vložte nový uhlíkový filter.



POZNÁMKA:

- Presvedčte sa, či je filter bezpečne zaistený. V opačnom prípade by sa mohol uvoľniť a spôsobiť nebezpečenstvo.
- Po osadení filtra s aktívnym uhlím dôjde k zníženiu odsávacieho výkonu.

VÝMENA ŽIAROVKY

<p>Dôležité:</p> 	<ul style="list-style-type: none">✧ Výmenu žiarovky musí vykonávať výrobca, jeho servisný zástupca alebo osoba s podobnou kvalifikáciou.✧ Pred začatím vykonávania akýchkoľvek prác na spotrebiči vždy vypnite prívod elektrickej energie. Pri manipulácii so žiarovkou sa uistite, že je úplne chladná, až potom ju uchopte do rúk.✧ Pri manipulácii so žiarovkami použite na uchopenie žiaroviek handričku alebo rukavice, aby nedošlo ku kontaktu telesnej vrchvosti so žiarovkou, pretože to môže viesť k skráteniu životnosti žiarovky.
--	--

(1) Vypnite spotrebič a vytiahnite zástrčku.

(2) Vysuňte prednú časť odsávača pár.

(3) Najprv treba odpojiť hliníkový filter. Stlačte zámok a potiahnite ho smerom nadol.

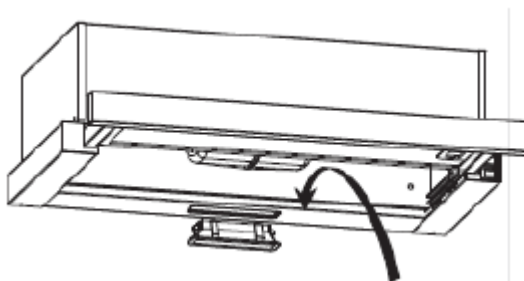
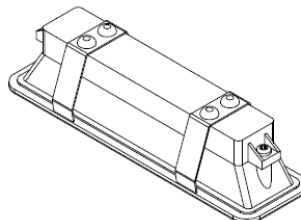
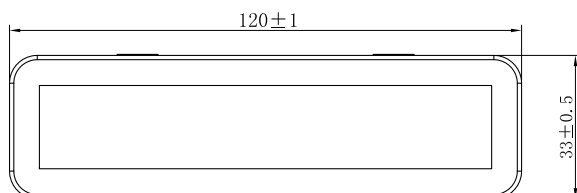
(4) Nahradte rovnakým typom. 110-240V ~ 50Hz, LED 2W

• **Kód ILCOS D tejto žiarovky je: DBS-2/65-H-120/33.**

– max. wattový výkon: 2 W

– rozsah napätia: AC 110-240 V

– Rozmery:



OCHRANA ŽIVOTNÉHO PROSTREDIA



o odpade elektrických a elektronických zariadení z roku 2013 týkajúcich sa elektrických a elektronických spotrebičov (OEEZ). OEEZ sa zaoberá znečisťujúcimi látkami (ktoré môžu mať negatívny vplyv na životné prostredie) a základnými prvkami (ktoré sa môžu znovu použiť). Je dôležité, aby OEEZ podstúpili osobitné úpravy na správne odstránenie a likvidáciu znečisťujúcich látok a obnovu všetkých materiálov. Jednotlivci môžu zohrávať dôležitú rolu pri zabezpečovaní toho, aby sa z OEEZ nestal problém životného prostredia; potrebné je dodržiavať niekoľko základných pravidiel:

- s OEEZ sa nesmie nakladať ako s domovým odpadom;
- OEEZ sa musia odvážať do vyhradených zberných oblastí spravovaných mestskou radou alebo registrovanou spoločnosťou.

V mnohých krajinách môžu byť k dispozícii pre veľké OEEZ strediská zberu domového odpadu. Keď si kúpite nový spotrebič, starý spotrebič sa môže vrátiť dodávateľovi, ktorý ho musí prijať bezplatne ako jednorazovú záležitosť, pokiaľ je spotrebič ekvivalentného typu a má rovnaké funkcie ako zakúpený spotrebič.

POZNÁMKA:

Nasledujúce informácie slúžia na zníženie celkového negatívneho vplyvu procesu varenia na životné prostredie (napr. spotreba energie).

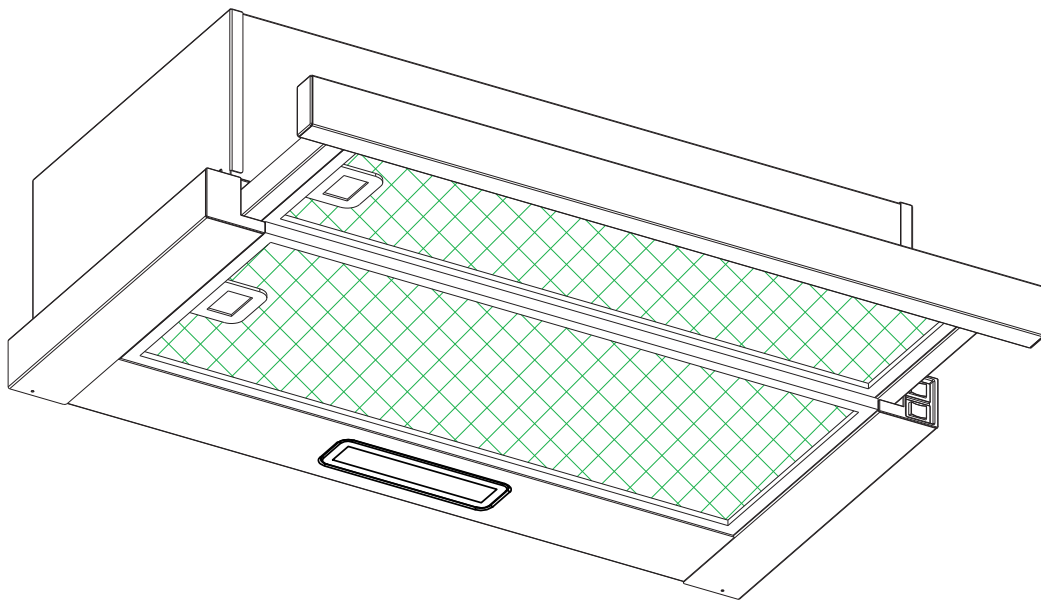
- (1) Kuchynský odsávač nainštalujte na vhodné miesto s účinným vetraním.
- (2) Kuchynský odsávač pravidelne čistite, aby nedošlo k upchatiu vzduchového kanála.
- (3) Po varení nezabudnite vypnúť svetlo kuchynského odsávača.
- (4) Po varení nezabudnite vypnúť kuchynský odsávač.

INFORMÁCIE TÝKAJÚCE SA LIKVIDÁCIE

Spotrebič nelikvidujte spôsobom, ktorý nie je uvedený v tomto návode na použitie. Likvidáciu spotrebiča nesmie vykonávať používateľ. Po uplynutí prevádzkovej životnosti sa spotrebič nesmie likvidovať spolu s komunálnym odpadom. Poradenstvo v súvislosti s recykláciou vám poskytnú miestne úrady alebo predstavitelia samosprávy.

Kuhinjska napa

Navodila za uporabo



Vsebina

- 1.....Varnostna navodila
- 2.....Namestitev
- 3.....Začetek uporabe kuhinjske nape
- 4.....Odpravljanje težav
- 5.....Vzdrževanje in čiščenje
- 6.....Varstvo okolja

VARNOSTNA NAVODILA

V teh navodilih smo opisali pravilno namestitev in uporabo vaše kuhinjske nape. Prosimo vas, da jih natančno preberete, tudi če izdelek že poznate. Navodila shranite na varno mesto, kjer bodo na voljo za kasnejšo uporabo.

Nikoli ne:

- Ne uporabljajte kuhinjske nape brez maščobnega filtra, ali če je na filtru preveč maščobe!
- Ne nameščajte je nad štedilnik z žarom na visokem nivoju.
- Ne puščajte ponev, v katerih cvrete jedi, brez nadzora, ker lahko razgreta maščoba ali olja zagorijo.
- Nikoli ne puščajte odprtega ognja pod nabo.



- Če je kuhinjska napa poškodovana, je ne uporabljajte.
- Pod kuhinjsko nabo ne flambirajte.
- **PREVIDNO:** Dostopni deli se lahko med uporabo kuhalnika močno segrejejo.
- Minimalna razdalja med površino kuhalnika, na katero postavite posodo, in najnižji del nape. (Če je kuhinjska napa nad plinskim štedilnikom, mora biti ta razdalja najmanj 65 cm)
- Zrak ne sme biti speljan v dimno cev, ki se uporablja za izpuh plinskih naprav ali naprav na druga goriva.



Vedno:

- **Pomembno!** Med nameščanjem in vzdrževalnimi deli, kot je na primer tudi menjava žarnice, vedno izklopite električno napajanje.
- Kuhinjsko nabo morate namestiti v skladu z navodili za namestitev in nadaljnjimi ukrepi.
- Celotno namestitev lahko opravi samo kompetentna oseba oz. strokovno usposobljen električar.
- Prosimo vas, da embalažo previdno odložite med odpadke. Lahko predstavlja nevarnost za otroke.
- Bodite pozorni na ostre robove kuhinjske nape, zlasti med nameščanjem in čiščenjem.
- Če je kuhinjska napa nad plinskim štedilnikom, je minimalna razdalja med površino štedilnika, na katero postavite posodo, in najnižjim delom kuhinjske nape:

Plinski štedilnik:	75 cm
Električni štedilnik:	65 cm
Štedilnik na premog ali olje:	75 cm
- Zagotovite, da napeljava ne bo imela ostrejših kotov od 90 stopinj, ker bi bila učinkovitost kuhinjske nape močno zmanjšana.
- **Opozorilo:** Če vijakov ali delov za pritrditev ne namestite v skladu z navodili, obstaja električna nevarnost

Vedno:

- Če kuhate na plinskem štedilniku, posode in ponve pokrijte s pokrovko.
- Ko je v načinu odvajanja, kuhinjska napa odstranjuje zrak iz prostora. Ne pozabite na ustrezno zračenje. Kuhinjska napa s prostora odstrani vonjave, ne pa tudi pare.
- Kuhinjska napa je primerna samo za uporabo v gospodinjstvih.



- Če je električni kabel poškodovan, ga mora zamenjati proizvajalec, serviser ali podobno kvalificirana oseba, da preprečite morebitne nevarnosti.
- Ta aparat lahko uporabljajo otroci, starejši od 8 let, ter osebe z zmanjšanimi fizičnimi, senzoričnimi ali umskimi sposobnostmi ali s pomanjkljivimi izkušnjami in znanjem, vendar samo pod ustreznim nadzorom ali če imajo navodila za varno uporabo naprave in če razumejo morebitne nevarnosti. Otroci naj se z aparatom ne igrajo. Otroci naj aparata ne čistijo in naj na njem ne izvajajo vzdrževalnih del brez nadzora.



- Opozorilo: Preden dostopate do terminalov, morate izključiti vsa napajanja.

Vedno:

- Pozor: Napa in njeni dostopni deli se med delovanjem močno segrejejo. Bodite pozorni in ne dotikajte se vročih delov. Otroci, mlajši od 8 let, ne smejo biti v bližini kuhinjske nape, razen pod stalnim nadzorom.
- V prostoru mora biti zagotovljeno primerno zračenje, če kuhinjsko napo uporabljate hkrati s štedilnikom na plin ali na drugo gorivo.
- Obstaja nevarnost požara, če nape ne čistite v skladu z navodili
- Odvod zraka mora biti urejen v skladu s pravili.
- Napo redno čistite, pri čemer pa upoštevajte navodila v poglavju VZDRŽEVANJE.
- Podrobnosti načina in časovni intervali čiščenja so predstavljeni v poglavju o vzdrževanju in čiščenju v navodilih za uporabo.
- Podrobnosti načina in časovni intervali čiščenja so predstavljeni v poglavju o vzdrževanju in čiščenju v navodilih za uporabo.
- Brez nadzora otroci nape ne smejo čistiti in na njej ne smejo izvajati vzdrževalnih del.
- Ko hkrati delujejo kuhinjska napa in kuhinjski aparati, ki se napajajo razen z elektriko tudi z drugo energijo, negativni tlak v prostoru ne sme preseči 4 Pa (4×10^{-5} bar).
- OPOZORILO: Nevarnost požara: ne hranite stvari na kahalni površini.
- Ne uporabljajte parnega čistilnika.
- NIKOLI ognja ne poskušajte pogasiti z vodo, ampak izklopite aparat in nato ogenj prekrijte npr. s pokrovom ali protipožarno odejo.

NAMESTITEV (ODVOD ZRAKA IZ PROSTORA)

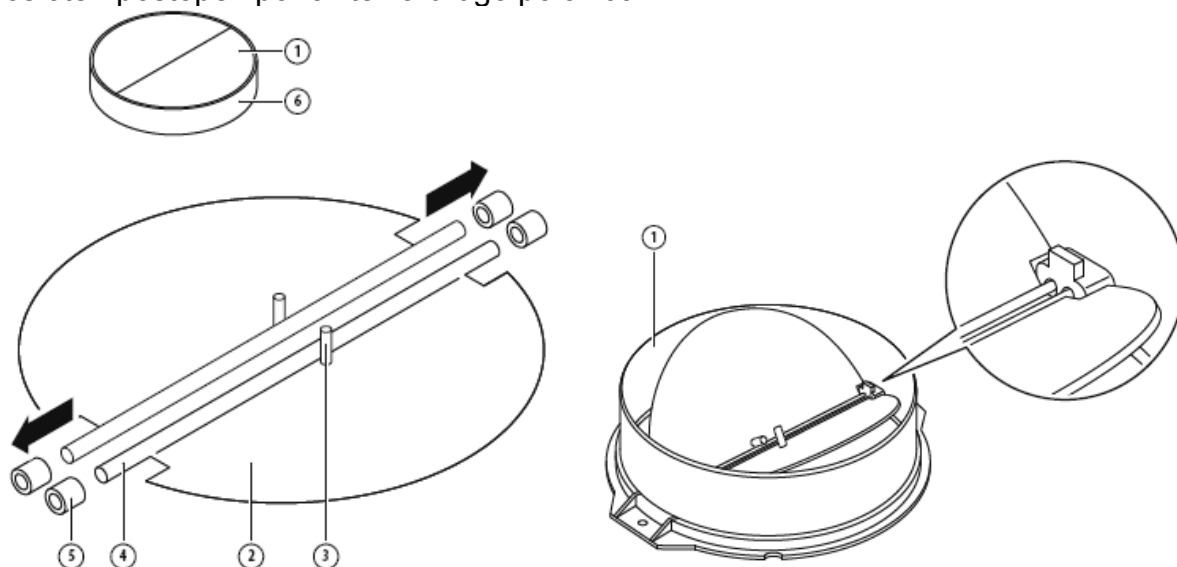
NAMESTITEV V-POKLOPCA

**Dodatna oprema, ki je na voljo samo pri nekaterih modelih.*

Če napa še nima vgrajenega V-poklopca, morate vi vgraditi obe polovici na ohišje nape. Slike prikazujejo samo primer montaže V-poklopca, način montaže se lahko pri različnih modelih in konfiguracijah razlikuje.

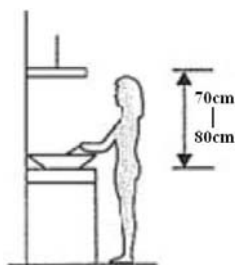
Za montažo V-poklopca, morate:

- montirati dve polovici v ohišje 6
- zatič 3 mora biti obrnjen navzgor;
- osi 4 je treba vstaviti v odprtine 5 na ohišju;
- celoten postopek ponovite za drugo polovico

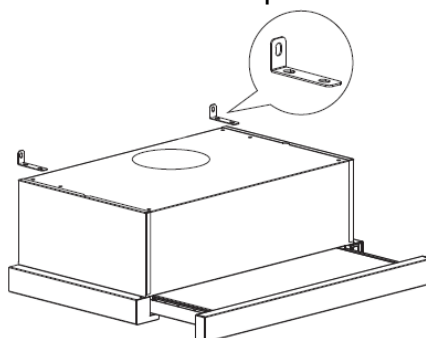


NAMESTITEV (montaža na steno)

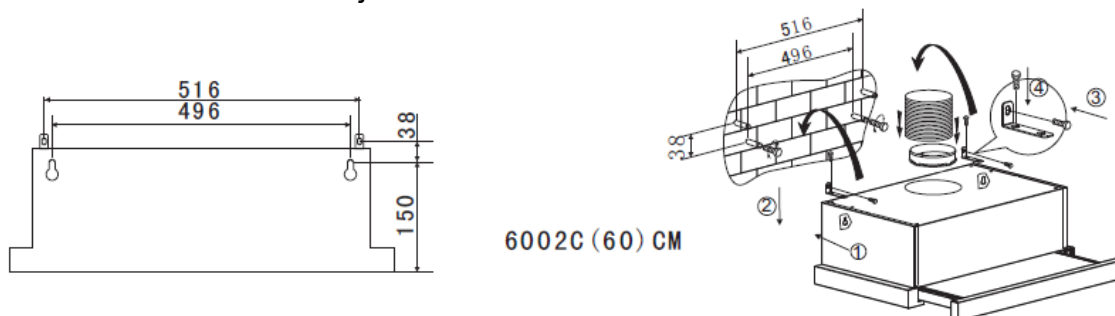
1. Izberite mesta, kjer bodo luknje za pritrditev kuhinjske nape.



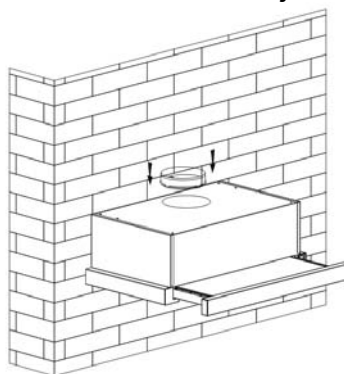
2. Namestite nosilec v obliki črke L na vrh nape z dvema vijakoma (4 mm x 10 mm)



3. Napo na steno pritrdite s 4 vijaki (4 mm x 30 mm) in stenskimi vložki. Napo pritrdite na steno na zadnji strani nape z 2 vijakoma (4 mm x 30 mm) in stenskimi vložki. Nato fiksirajte napo na steno z 2 vijakoma (4 mm x 30 mm) in stenskimi vložki skozi majhen L-nosilec.

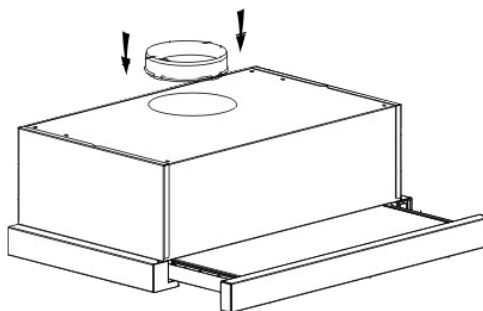


4. Fiksirajte enosmerni ventil na izhod zraka kuhinjske nape.

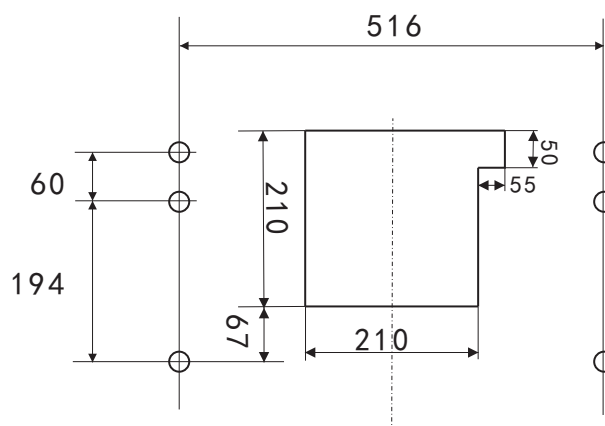


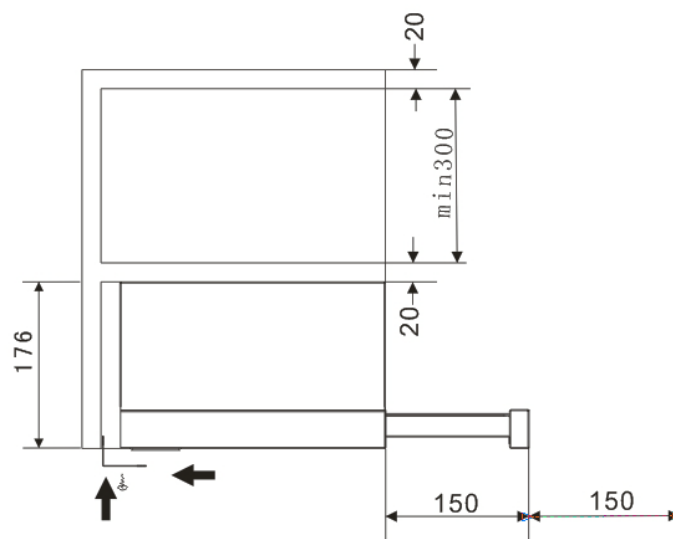
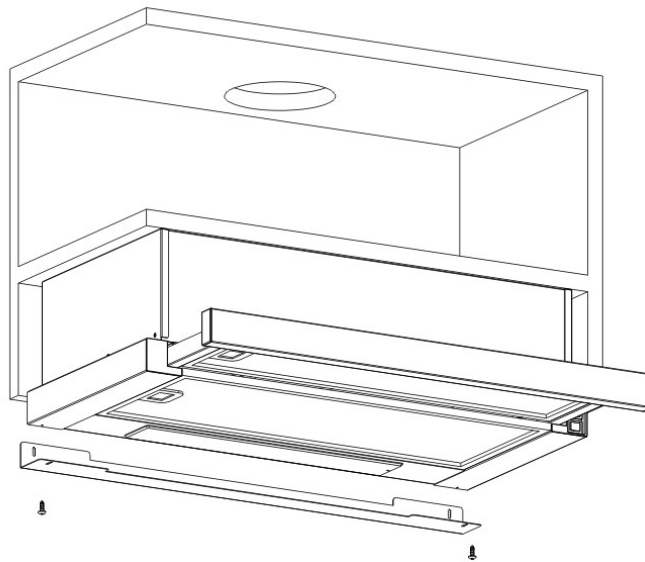
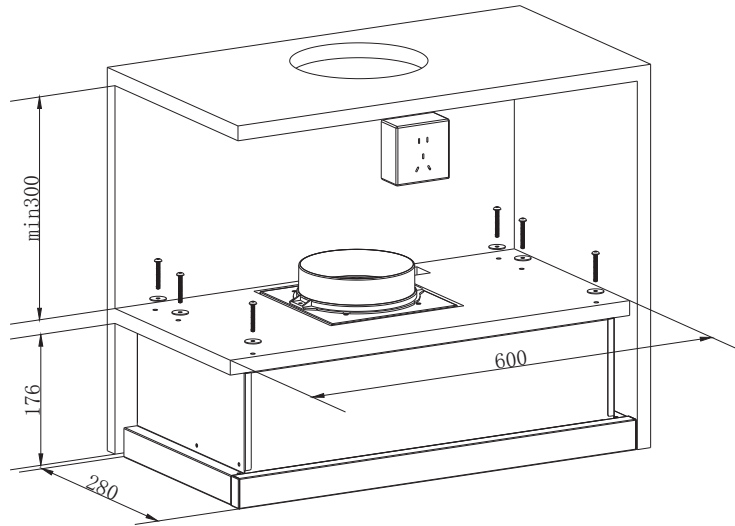
NAMESTITEV (montaža na omarice)

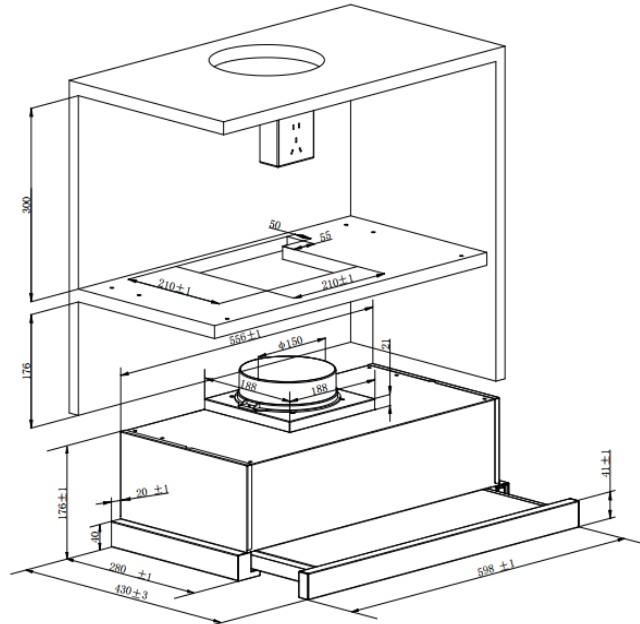
1. Fiksirajte enosmerni ventil na izhod zraka kuhinjske nape.




2. Montirajte kuhinjsko napo na omarico in sicer s 6 vijaki (4 x 35 mm), 4 maticami in ploskimi tesnili.





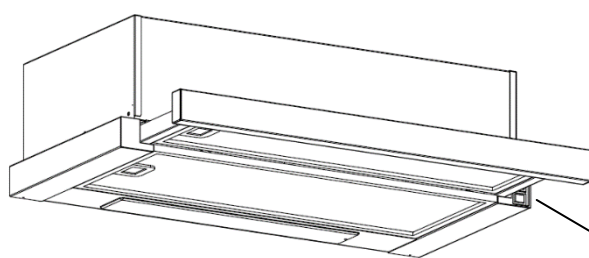


Če je med steno in nabo prazen prostor, lahko z dvema vijakoma (3 x 12 mm) namestite na dno nape L-nosilec.
Namestitev L-nosilca je opsijska in ni nujna.
Opomba: Raztezna cev ni priložena.

<p>OPOZORILO:</p> 	<ul style="list-style-type: none"> ➤ Iz varn ostnih raz logov upo rabljajte v ijake za pritrditev ali montažo, ki jih priporočamo v navodilih za uporabo. ➤ Če vijakov ali delov za pritrditev ne namestite v skladu z navodili, obstaja električna nevarnost
--	---

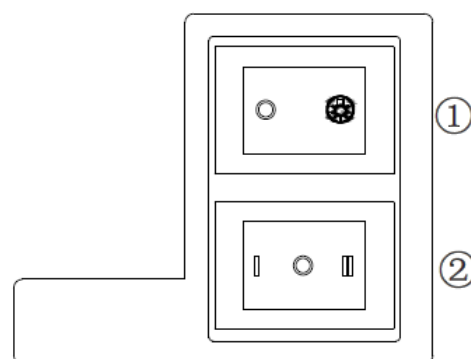
Začetek uporabe vaše kuhinjske nape

Stikalo za vklop in izklop



Stikalo za vklop

in izklop



1. Priključite vtič v vtičnico.

2. Če potisnete stikalo ① na , lučka sveti; če potisnete stikalo ① na "0" , se lučka izklopi.

3. Če potisnete stikalo ② na "I, II" , bo motor deloval z dvema hitrostima "nizko visoko" , če potisnete stikalo na "0" , se bo motor zaustavil.
4. Električna bo priključena, ko boste izvlekli sprednji panel. Nasprotno bo električna samodejno izključena.

ODPRAVLJANJE NAPAK

Napaka	Možen vzrok	Rešitev
Luč sveti, motor pa ne deluje	Stikalo ventilatorja izklopljeno	Izberite položaj stikala ventilatorja.
	Preklop ventilatorja ni uspel	Obrnite se na servisni center.
	Napaka motorja	Obrnite se na servisni center.
Luč ne deluje, motor tudi ne.	Napaka na varovalkah	Ponastavite/Zamenjajte varovalke.
	Električni kabel je izključen	Ponovno vključite kabel v električni vtič. Vključite električno napetost.
Puščanje olja	Enosmerni ventil in izhod nista dobro zatesnjena	Vzemite enosmerni ventil in zatesnite s tesnilnim sredstvom.
	Puščanje povezave odvoda in pokrova	Zatesnite priključek odvoda.
Luči ne delujejo.	Okvarjene žarnice ali z napako	Zamenjate žarnice ponavodilih.
Nezadostno sesanje	Razdalja med kuhinjsko napo in plinskim štedilnikom je prevelika	Napo nastavite na pravilno razdaljo.
Kuhinjska napa se nagiba.	Vijaki za pritrditev niso dovolj pritrjeni	Pritrdite viseč vijak, da bo vodoraven.

OPOMBA:



Vsa električna popravila aparata morajo biti skladna z lokalnimi, državnimi in zveznimi zakoni. V primeru dvomov se obrnite na servisni center preden začnete z deli. Vedno najprej izključite napo iz električne napetosti, če jo odpirate.

VZDRŽEVANJE IN ČIŠČENJE

Pozor:

- Pred vzdrževalnimi deli ali čiščenjem je treba kuhinjsko napo izključiti iz električnega napajanja. Kuhinjsko napo izključite iz stenske vtičnice in vtič umaknite.



- Zunanje površine so občutljive na praske in odrgnine, zato upoštevajte navodila za čiščenje, da bo najboljši možen rezultat dosežen brez škode.

SPLOŠNO

Čiščenje in vzdrževalna dela se smejo izvajati, ko je napa hladna, zlasti med čiščenjem. Na površini nape ne puščajte bazičnih ali kislih snovi (limonin sok, kis itd.).

NERJAVNO JEKLO

Nerjavno jeklo je treba redno čistiti (npr. tedensko) za njegovo dolgo življenjsko dobo. Osušite s čisto mehko krpo. Uporabi se lahko posebna tekočina za nerjavno jeklo.

OPOMBA:

Pri brisanju nerjavnega jekla morate preprečiti neželene praske in spraskan videz.

POVRŠINA NADZORNE PLOŠČE

Nadzorno ploščo lahko čistimo s toplo milnico. Krpa mora biti čista in dobro ožeta. Odvečno vlago po čiščenju odstranite z mehko čisto krpo.

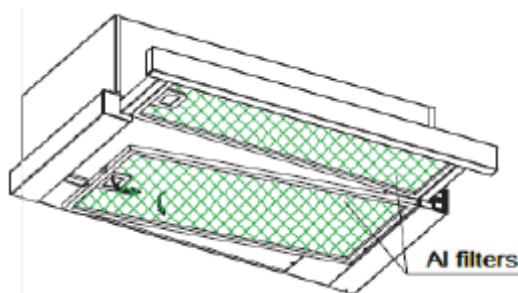
Pomembno

Čistite z nevtralnimi detergenti in ne uporabljajte ostrih kemikalij, močnih gospodinjskih detergentov ali abrazivnih izdelkov, ker lahko poškodujejo videz nape in potencialno lahko odstranijo natisnjene napise na nadzorni plošči in zaradi njih lahko preneha veljati garancija.

MREŽASTI MAŠČOBNI FILTER

Mrežaste filtre lahko čistite ročno. Namočite za 3 minute v vodo z detergentom, ki topi maščobo, nato jih na rahlo skrtačite z mehko krtačo. Ko krtačite, ne pritiskajte preveč, ker boste napo poškodovali. (Posušite naravno, ne neposredno na soncu)

Filtre pomivajte ločeno od pribora in kuhinjske posode. Priporočamo, da ne uporabljate sredstev za izpiranje.



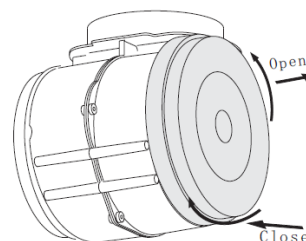
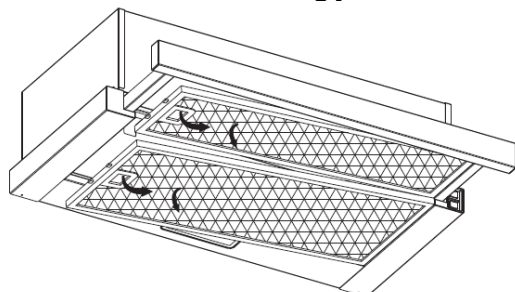
NAMEŠČANJE MREŽASTEGA MAŠČOBNEGA FILTRA

- Filtre namestite v naslednjih korakih.
- Namestite filtre v reže na zadnji strani nape.
- Pritisnite gumb na ročaj filtra.
- Sprostite ročaj, ko je filter nameščen na položaj.
- Postopek ponovite za vse filtre.

FILTER Z OGLJEM - ni priložen

Filter z aktivnim ogljem se lahko uporablja proti neprijetnim vonjem. Običajno je treba filter z ogljem zamenjati na tri ali šest mesecev, odvisno od kuharskih navad. Postopek namestitve filtrov z aktivnim ogljem je opisan spodaj.


- (1) Potisnite sprednji del nape.
- (2) Najprej je treba umakniti AL-filter. Pritisnite zaklep in ga povlecite navzdol.
- (3) Odstranite filter z ogljem, tako da ga obračate v nasprotni smeri urnemu kazalcu.
- (4) Namestite nov filter z ogljem.



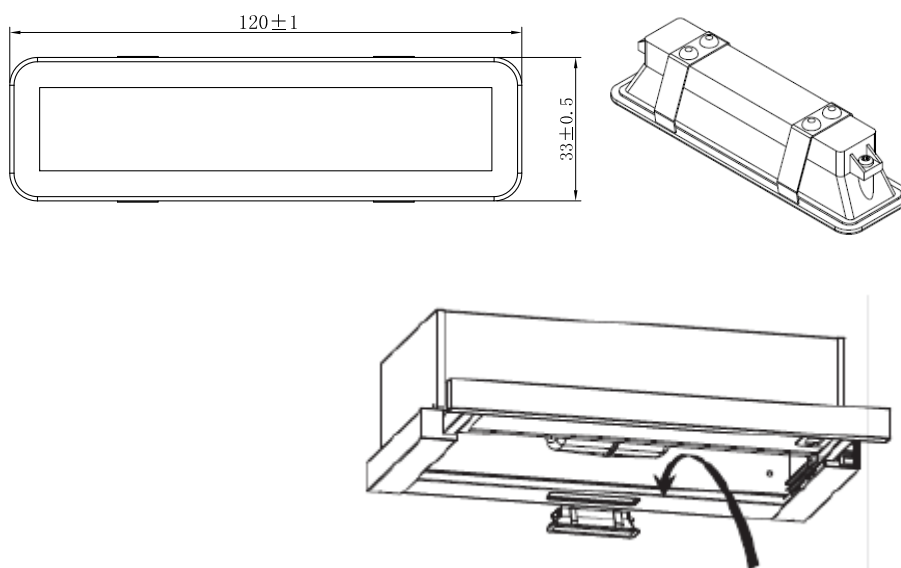
OPOMBA:

- Prepričajte se, da je filter varnostno blokiran. V nasprotnem filter ne bo pritrjen in bo predstavljal nevarnost.
- Ko je dodan filter z aktivnim ogljem, bo moč sesanja manjša.

MENJAVA ŽARNICE

<p>Pomembno</p> 	<ul style="list-style-type: none"> ✧ Žarnico mora zamenjati proizvajalec, serviser ali podobno kvalificirana oseba. ✧ Vedno najprej izklopite električno napetost in se šele nato lotite del na aparatu. Ko menjate žarnico, se najprej prepričajte, da se bo popolnoma ohladila, šele nato se jo lahko dotikate. ✧ Ko delate s sijalkami, jih držite s krpo ali rokavicami, da ne bodo prišle v stik z znojem, ker bi se tako skrajšala življenjska doba sijalke.
---	---

- (1) Aparat izklopite in ga izključite z napajanja.
- (2) Potisnite sprednji del nape.
- (3) Najprej je treba umakniti AL-filter. Pritisnite zaklep in ga povlecite navzdol.
- (4) Nadomestite z enakim tipom žarnice. 110-240 V~50 Hz, MAks. 2 W LED
 - ILCOS D koda za to luč je: DBS-2/65-H-120/33.
 - Maks. watt: 2 W
 - Obseg napetosti: AC 110-240 V
 - Dimenzije:



VARSTVO OKOLJA:



Ta naprava je označena v skladu z Evropsko direktivo 2012/19/EU o odpadni električni in elektronski opremi iz leta 2013 v zvezi z električnimi in elektronskimi napravami (OEEO). OEEO vsebuje tako snovi, ki onesnažujejo okolje (ki imajo lahko negativen vpliv na okolje), kot navadne elemente (ki se jih da ponovno uporabiti). Pomembno je, da gre OEEO skozi posebne postopke obdelave, v katerih se odstranijo in ustrezno odložijo onesnaževalci, hkrati pa se predela materiale. Posamezniki igrajo pomembno vlogo pri tem, da OEEO ne obremenjuje okolja; zato je ključnega pomena, da sledimo tem korakom:

- OEEO ne smemo obravnavati kot ostale gospodinjske odpadke;
- OEEO je treba odnesti na ustrezno zbirališče, s katerim upravlja mestni svet ali registrirano podjetje.

V mnogih državah so za velike kose OEEO omogočena tudi posebna zbiranja na domu. Ko kupite novo napravo, lahko staro napravo predate prodajalcu, ki jo mora enkratno brezplačno sprejeti, če je naprava enake vrste in ima enake funkcionalnosti kot kupljena naprava.

OPOMBA:

V nadaljevanju je prikazano, kako zmanjšamo celotni vpliv na okolje (uporabo energije) med kuhanjem).

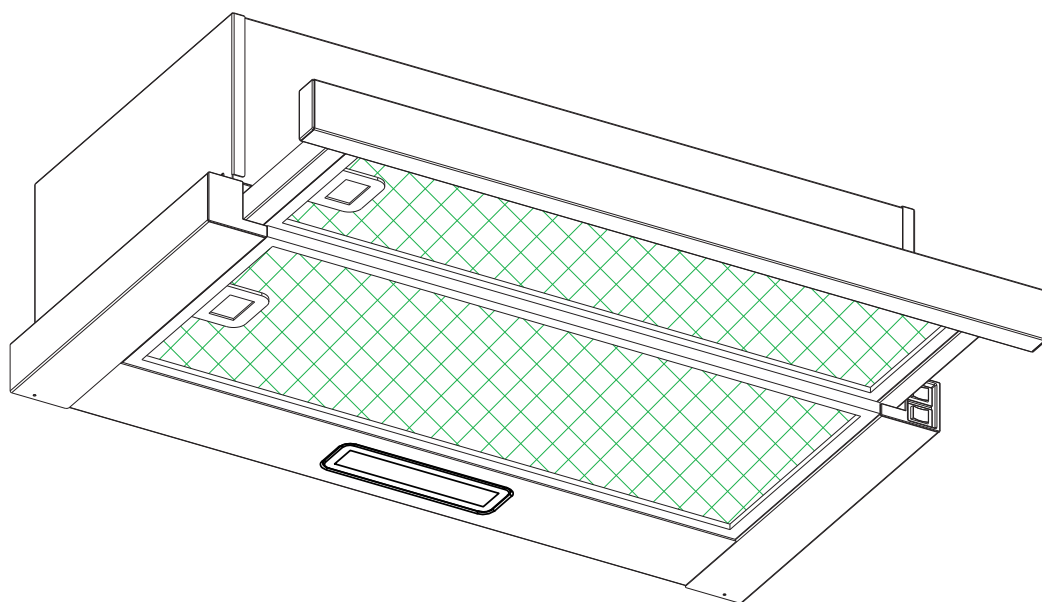
- (1) Kuhinjsko nabo namestite na primerno mesto z zadostnim zračenjem.
- (2) Kuhinjsko nabo redno čistite, da se zračne poti ne bodo blokirale.
- (3) Po kuhanju ne pozabite izključiti luči v nabi.
- (4) Po kuhanju ne pozabite izključiti nape.

INFORMACIJE O RAZGRAJEVANJU

Nape ne razgradite drugače, kot je prikazano v navodilih za uporabo. Nape ne more razgraditi uporabnik. Po koncu življenjske dobe je ne smete odložiti med gospodinjske odpadke. Za nasvet se lahko obrnete na svoje lokalne oblasti ali na podjetje za recikliranje

Kuhinjski aspirator

Uputstvo



Sadržaj

1.....	Bezbednosna uputstva
2.....	Montaža
3.....	Pokretanje aspiratora
4.....	Rešavanje problema
5.....	Održavanje i čišćenje
6.....	Zaštita životne sredine

BEZBEDNOSNA UPUTSTVA

Ovo uputstvo objašnjava kako se aspirator montira i koristi i molimo vas da ga pažljivo pročitate pre nego što počnete da koristite aspirator čak i ako ste već upoznati s ovim proizvodom. Ovo uputstvo treba čuvati na sigurnom mestu da bi se kasnije moglo koristiti.

Šta nikada ne treba raditi:

- Nemojte pokušavati da koristite aspirator bez filtera za masnoću niti ako su filteri previše zamašćeni!
- Nemojte postavljati aspirator iznad šporeta sa jakim efektom grila.
- Nemojte ostavljati tiganj bez nadzora dok ga koristite jer se vrela mast ili ulje mogu zapaliti.
- Nikada nemojte ostavljati otvoreni plamen ispod aspiratora.



- Ako je aspirator oštećen nemojte pokušavati da ga koristite.
- Nemojte flambirati jela ispod aspiratora.
- OPREZ: Prilikom korišćenja kuhinjskih aparata pristupačni delovi aspiratora mogu postati vreli.
- Minimalna udaljenost između površine za kuvanje na šporetu i najnižeg dela aspiratora. (Kada se aspirator nalazi iznad uređaja na kom se koristi plin, udaljenost treba da bude najmanje 65 cm)
- Vazduh ne sme biti ispuštan kroz otvor koji se koristi za odvod dima iz uređaja na gas ili druga goriva.



Šta uvek treba uraditi:

- **Važno!** Tokom montaže i održavanja, kao što je na primer prilikom zamene sijalice, uvek isključite napajanje.
- Aspirator mora biti postavljen u skladu sa uputstvima za montažu i moraju se ispoštovati sve mere.
- Celokupnu montažu mora izvršiti za to osposobljena osoba ili kvalifikovani električar.
- Molimo vas da materijal u kom je aspirator bio zapakovan pažljivo odložite. Opasan je za decu.
- Obratite pažnju na oštre ivice aspiratora, naročito tokom montaže i čišćenja.
- Kada se aspirator nalazi iznad uređaja na kom se koristi plin, minimalna udaljenost između površine za kuvanje na šporetu i najnižeg dela aspiratora mora biti:
Šporeti na plin: 75 cm
Električni šporeti: 65 cm
Šporeti na uglj ili naftu: 75 cm
- Postarajte se da crevo ne bude savijeno manje od 90 stepeni jer to smanjuje efikasnost aspiratora.
- Upozorenje: Propust da se zavrtnji i delovi za pričvršćivanje koriste u skladu sa ovim uputstvima može prouzrokovati udar struje

Šta uvek treba uraditi:

- Kada koristite šporet na plin uvek stavljajte poklopce na šerpe i tiganje.
- Kada je u režimu izvlačenja, aspirator izvlači vazduh iz prostorije. Proverite da li su ispoštovane sve mere za ventilaciju. Aspirator uklanja neprijatne mirise iz prostorije ali ne i paru.
- Aspirator je samo za kućnu upotrebu.



- Ako je napojni kabl oštećen, mora ga zameniti proizvođač, osoba koju proizvođač za to koristi ili osoblje koje je za to obučeno, kako bi se sprečile nezgode.
- Ovaj uređaj smeju koristiti deca od 8 i više godina, kao i osobe čije su fizičke, čulne ili mentalne sposobnosti smanjene ili kojima nedostaje iskustvo i znanje ukoliko im se obezbedi odgovarajući nadzor ili uputstvo o bezbednom korišćenju ovog uređaja i ukoliko su upoznati s potencijalnim opasnostima. Deca se ne smeju igrati ovim uređajem. Čišćenje i održavanje ne treba da obavljaju deca bez nadzora.



- **Upozorenje:** Pre pristupa terminalima sva strujna kola treba da budu isključena.

Šta uvek treba uraditi:

- **Oprez:** Tokom rada ovaj uređaj i njegovi pristupačni delovi mogu postati vreli. Pazite da ne dotičete grejne elemente. Deci ispod 8 godina starosti ne treba dozvoliti pristup osim ako su pod konstantnim nadzorom.
- Kada aspirator radi u isto vreme kad i uređaji na plin ili druga goriva, u prostoriji treba da ima dovoljno ventilacije.
- Ukoliko se čišćenje ne obavlja u skladu sa uputstvima, postoji opasnost od požara.
- Mora biti udovoljeno propisima koji se odnose na izvlačenje vazduha.
- Uređaj čistite periodično na način opisan u poglavlju ODRŽAVANJE.
- Iz bezbednosnih razloga koristite samo one zavrtnje za pričvršćivanje ili montiranje koji su istih mera koje su preporučene u ovom uputstvu.
- Što se tiče detalja o načinu i učestalosti čišćenja, pogledajte u ovom priručniku deo o održavanju i čišćenju.
- Čišćenje i održavanje ne treba da obavljaju deca bez nadzora.
- Kada aspirator radi istovremeno sa uređajima koji koriste energiju koja nije električna, negativni pritisak u prostoriji ne sme preći 4 Pa (4 x 10⁻⁵ bara).
- **UPOZORENJE:** Opasnost od požara: ne odlažite predmete na površine za kuvanje.
- Ne sme se koristiti parni čistač.
- **NIKADA** nemojte pokušavati da ugasište požar vodom već isključite uređaj i pokrijte plamen na primer poklopcem ili protivpožarnim prekrivačem.

MONTAŽA (SPOLJNA VENTILACIJA)

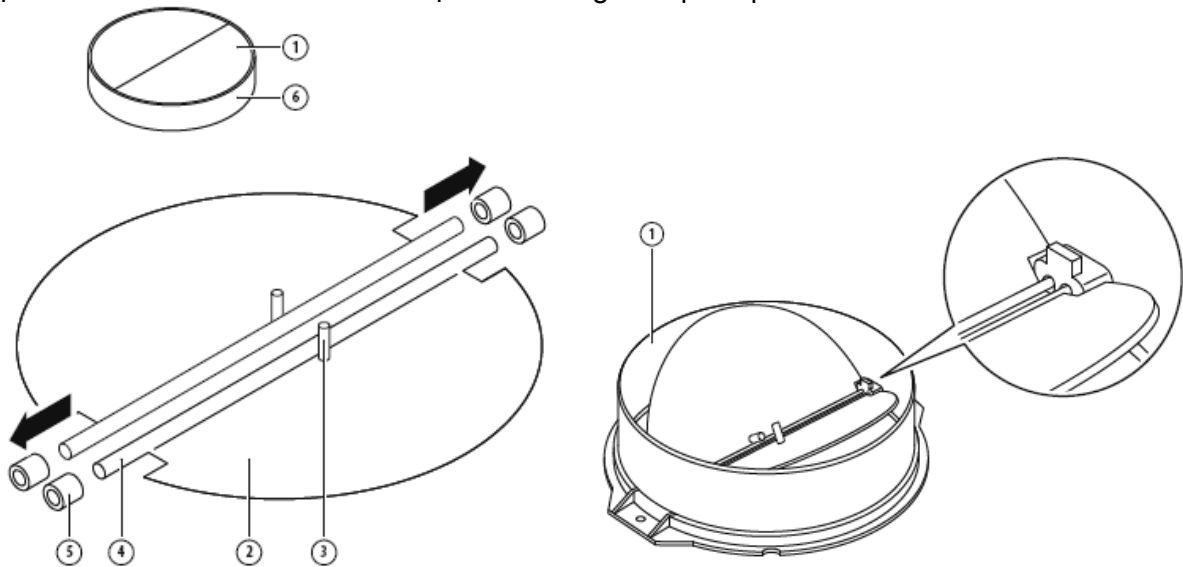
MONTAŽA V-POKLOPCA

**Opcioni dodatak se isporučuje samo sa nekim modelima.*

Ako aspirator nema ugrađen V-poklopac 1, treba da montirate njegova dva dela na kućište. Na slikama se vidi samo primer toga kako montirati V-poklopac, otvor se može razlikovati u zavisnosti od modela i konfiguracije.

Da bi se montirao V-poklopac 1 potrebno je uraditi sledeće:

- Postavite dva dela označena brojem 2 na kućište označeno brojem 6
- pin označen brojem 3 treba da bude okrenut na gore;
- osovina označena brojem 4 treba da bude ubačena u rupe na kućištu označene brojem 5;
- ponovite sve ove korake da biste postavili drugi deo poklopca

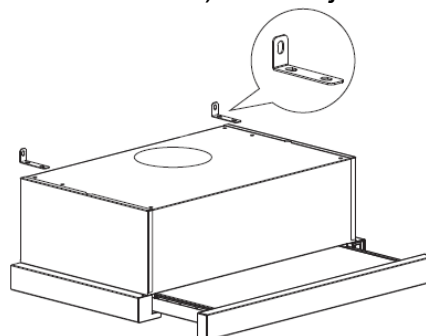


MONTAŽA (Postavljanje na zid)

1. Odredite položaj rupa koje će se koristiti za kačenje aspiratora.

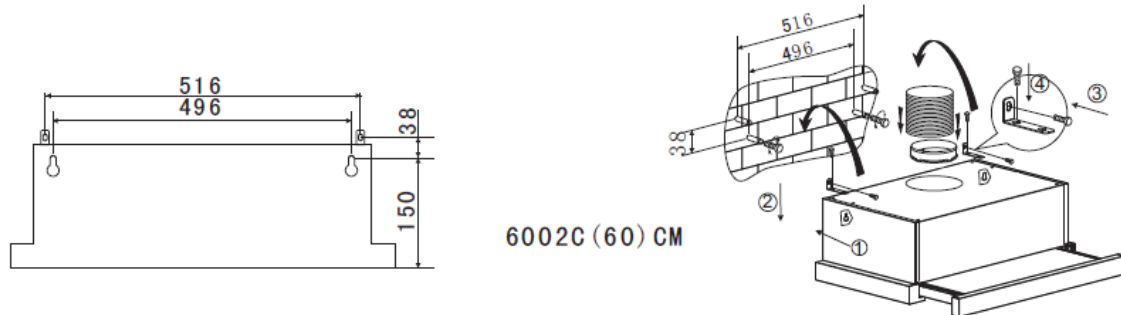


2. Koristeći dva zavrtnja (4 mm x 10 mm) montirajte nosač profila L na vrh aspiratora

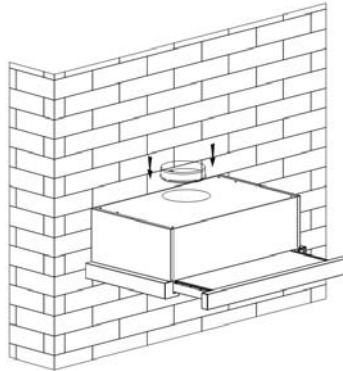


3. Aspirator se montira na zid pomoću 4 zavrtnja (4mm x 30mm) i tiplova.

Montirajte aspirator na zid tako što ćete zadnji deo aspiratora pričvrstiti za zid pomoću 2 zavrtnja (4mm x 30mm) i tiplova. Zatim, koristeći mali nosač profila L, pričvrstite aspirator za zid pomoću 2 zavrtnja (4mm x 30mm) i tiplova.

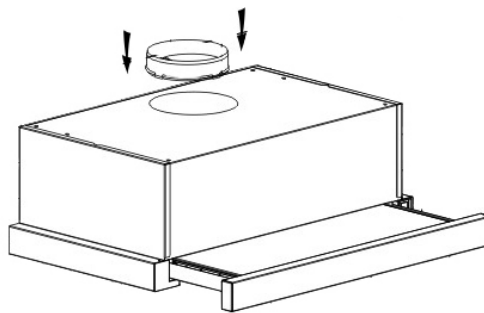


4. Pričvrstite nepovratni ventil na otvor za vazduh na aspiratoru.

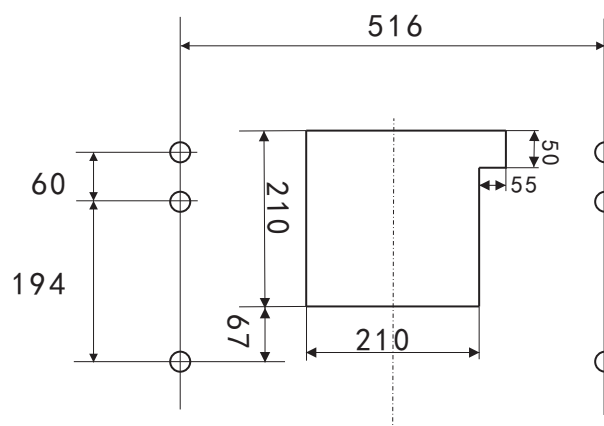


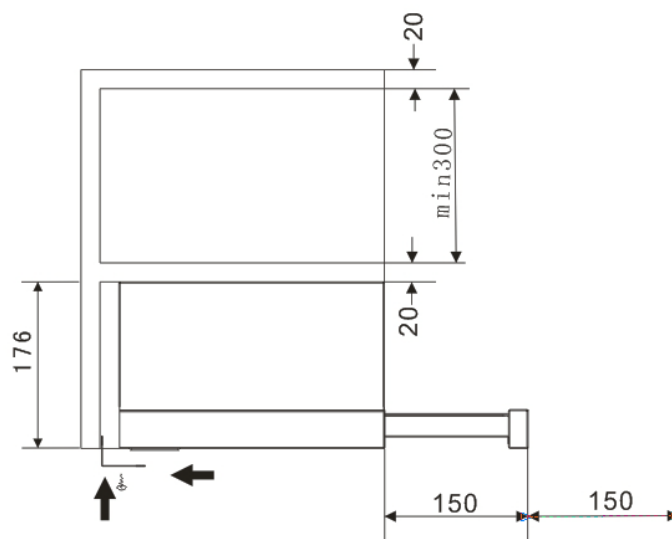
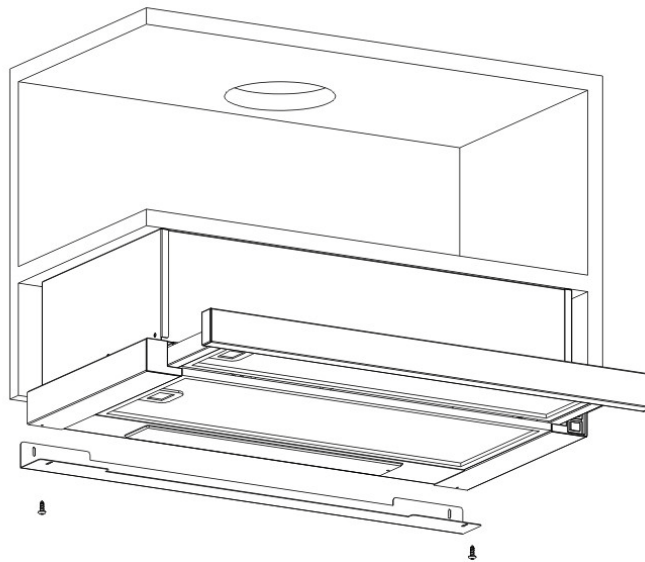
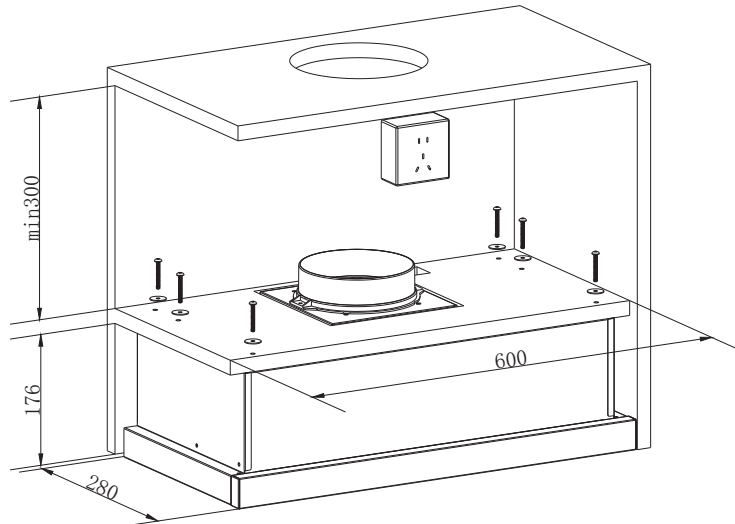
MONTAŽA (na viseći element)

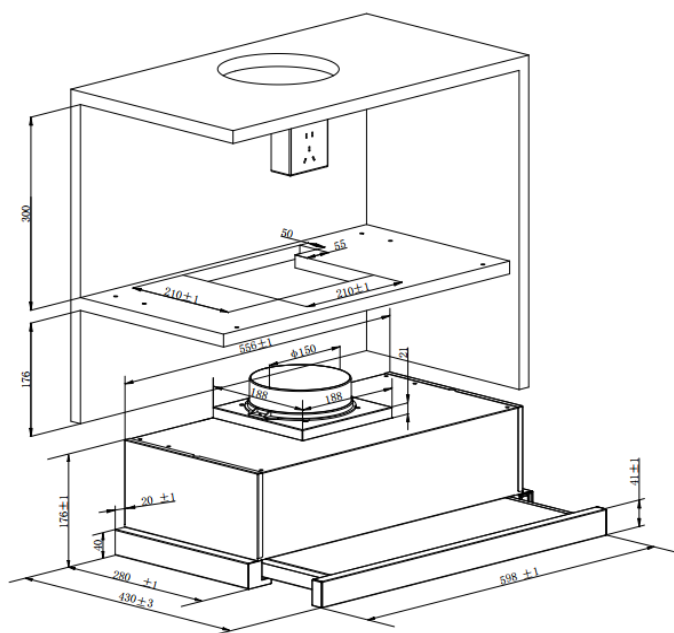
1. Pričvrstite nepovratni ventil na otvor za vazduh na aspiratoru.



2. Montirajte aspirator na viseći element pomoću 6 zavrtnja (4 x 35mm) i podloški.







Ako između zida i aspiratora postoji prazan prostor, možete postaviti nosač profila L na donju površinu aspiratora pomoću dva zavrtnja (3 x 12mm). Postavljanje nosača profila L je stvar izbora.
Napomena: Produžno crevo se ne isporučuje s proizvodom.

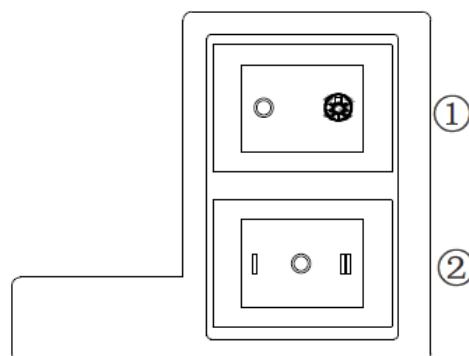
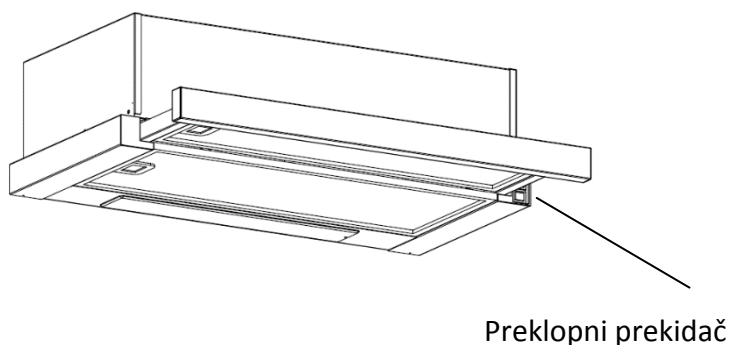
UPOZORENJE:



- Iz bezbednosnih razloga koristite samo one zavrtnje za pričvršćivanje ili montiranje koji su istih mera koje su preporučene u ovom uputstvu.
- Propust da se zavrtnji ili delovi za pričvršćivanje koriste u skladu sa ovim uputstvima može prouzrokovati udar struje.

Pokretanje aspiratora

Preklopni prekidač



1. Uključite utikač napojnog kabela u utičnicu.
2. Stavite prekidač ① na položaj „I” i lampica će se uključiti; stavite prekidač ① na položaj „0” i lampica će se isključiti.

3. Stavite prekidač ② na položaj „I, II “ i motor će raditi u dve brzine, „low, high “; stavite prekidač na položaj „0 “ i motor će se isključiti.
4. Napajanje uređaja će se aktivirati nakon izvlačenja prednjeg dela aspiratora. Vraćanjem prednjeg dela aspiratora u prvobitni položaj, napajanje će automatski prekinuti.

REŠAVANJE PROBLEMA

Kvar	Mogući uzrok	Rešenje
Svetlo svetli ali motor ne radi	Prekidač za ventilator je isključen	Postaviti prekidač za ventilator u odgovarajući položaj.
	Prekidač za ventilator ne radi	Stupiti u kontakt sa servisnim centrom.
	Motor ne radi	Stupiti u kontakt sa servisnim centrom.
Svetlo ne radi, motor ne radi	Problem s kućnim osiguračima	Vratiti/zameniti osigurače.
	Strujni kabl labav ili isključen	Ponovo staviti kabl u utičnicu. Uključiti utičnicu.
Curenje ulja	Nepovratni ventil i odvod nisu dobro zatvoreni	Skinuti nepovratni ventil i staviti zaptivač.
	Spoj između poklopca i odvoda propušta	Skinuti odvod i zatvoriti ga.
Svetla ne rade	Sijalice su pukle/neispravne	Zameniti sijalice u skladu sa ovim uputstvom.
Nedovoljno usisavanje	Udaljenost između aspiratora i grejne površine je prevelika	Podesiti aspirator na ispravnu udaljenost.
Aspirator je nagnut	Zavrtanj za pričvršćivanje nije dovoljno dotegnut	Dotegnuti zavrtanj kako bi aspirator stajao horizontalno.

NAPOMENA:



Svaka električna popravka ovog uređaja mora biti u skladu s vašim lokalnim i državnim zakonima. Pre nego što bilo šta od gore navedenog preduzmete stupite u kontakt sa servisnim centrom ukoliko niste sigurni oko nečega. Uvek isključite uređaj iz struje pre nego što ga otvorite.

ODRŽAVANJE I ČIŠĆENJE

Oprez:

- Pre održavanja ili čišćenja aspirator treba biti isključen iz struje. Zasigurajte da je aspirator isključen i da je izvučen utikač.



- Spoljašnje površine su podložne ogrebotinama i oštećenjima i zato vas molimo da sledite uputstva za čišćenje kako biste postigli najbolje moguće rezultate bez oštećenja.

UOPŠTENO

Prilikom čišćenja i održavanja uređaj treba da bude hladan, naročito prilikom čišćenja. Nemojte ostavljati alkalne supstance ili kiseline (limunov sok, sirće itd.) na površinama.

NERĐAJUĆI ČELIK

Nerđajući čelik treba redovno čistiti (na primer sedmično) kako bi se produžio životni vek. Treba ga isušiti čistom mekom krpom. Može se koristiti tečnost posebno namenjena nerđajućem čeliku.

NAPOMENA:

Postarajte se da površine od nerđajućeg čelika brišete duž teksture kako biste sprečili pojavu ogrebotina koje nastaju kada se briše i uzduž i popreko.

POVRŠINA KONTROLNE TABLE

Unutrašnja kontrolna tabla se može očistiti toplom sapunicom. Pre čišćenja krpa treba da bude čista i dobro isceđena. Koristite suhu meku krpku kako biste pokupili preostalu vlagu nakon čišćenja.

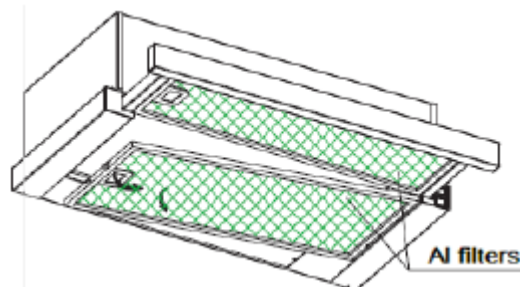
Važno

Koristite neutralne deterdžente i izbegavajte upotrebu jakih hemikalija za čišćenje, jakih deterdženata za domaćinstvo ili abrazivnih sredstava, jer to utiče na izgled uređaja i može ukloniti natpise na kontrolnoj tabli i zbog toga garancija proizvođača neće važiti.

MREŽASTI FILTERI ZA MASNOĆU

Mrežasti filteri se mogu ručno čistiti. Potopite ih na oko 3 minuta u vodu sa deterdžentom za skidanje masnoće a zatim ih nežno očistite mekom četkom. Nemojte previše pritiskati da biste izbegli oštećenja. (Ostavite ih da se sami osuše van direktne sunčeve svetlosti)

Filtere treba prati odvojeno od posuđa i kuhinjskog pribora. Preporučujemo da ne koristite sredstvo za ispiranje.



MONTIRANJE MREŽASTIH FILTERA ZA MASNOĆU

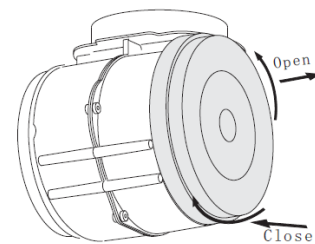
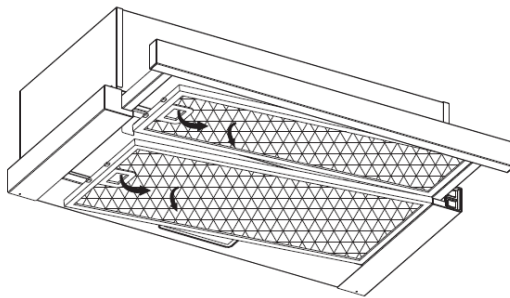
- Montaža filtera u četiri koraka.
- Postavite filter u svoje ležište u zadnjem delu aspiratora.
- Pritisnite bravicu koja se nalazi na filteru.

- Kada ste filter postavili u njegovo ležište oslobodite bravicu.
- Ponovite postupak dok ne montirate sve filtere.

UGLJENI FILTER se ne isporučuje sa uređajem

Aktivni ugljeni filter se može koristiti za otklanjanje neprijatnih mirisa. Obično se aktivni ugljeni filter treba menjati na svakih tri do šest meseci u zavisnosti od toga koliko često kuvate. Procedura montiranja aktivnog ugljenog filtera je navedena ispod.


- (1) Izvucite prednji deo aspiratora.
- (2) Najpre treba skinuti aluminijumski filter. Pritisnite bravicu i povucite nadole.
- (3) Izvadite ugljeni filter tako što ćete ga okrenuti suprotno od smera kazaljke na satu.
- (4) Stavite novi ugljeni filter.



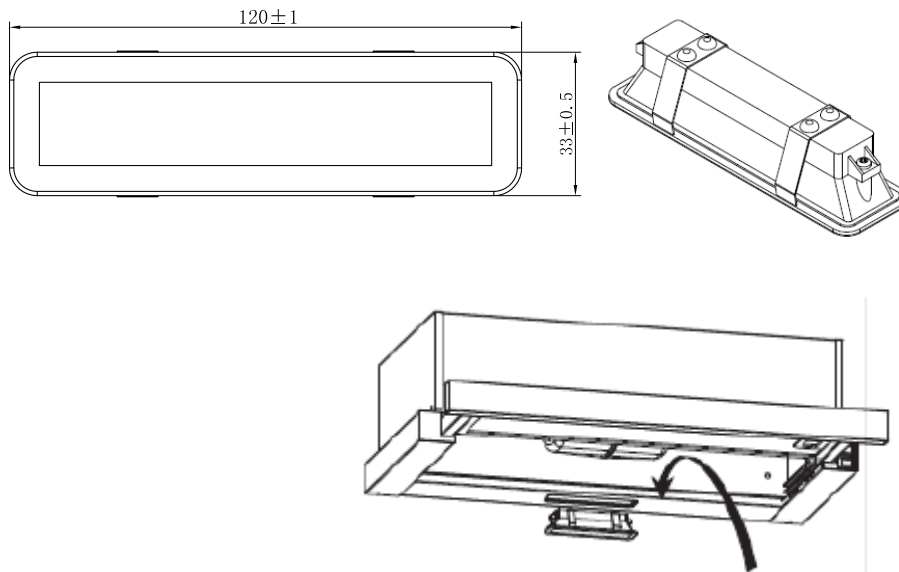
NAPOMENA:

- Filter treba da bude dobro pričvršćen. U suprotnom će se olabaviti i to može predstavljati opasnost.
- Kada se aktivni ugljeni filter prikači, usisna snaga će biti manja.

ZAMENA SIJALICE

<p>Važno:</p> 	<ul style="list-style-type: none"> ✧ Sijalicu mora menjati proizvođač, njegov ovlašćeni serviser ili neka druga kvalifikovana osoba. ✧ Pre svakog rada na uređaju uvek treba isključiti napajanje. Kada rukujete sijalicom, pre svakog direktnog kontakta rukama sijalica mora biti potpuno hladna. ✧ Sijalicu treba držati krpom ili rukavicama kako znoj ne bi došao u kontakt sa sijalicom jer se time smanjuje njen životni vek.
--	---

- (1) Isključite mašinu i izvucite utikač.
- (2) Izvucite prednji deo aspiratora.
- (3) Najpre treba skinuti aluminijumski filter. Pritisnite bravicu i povucite nadole.
- (4) Stavite istu vrstu osvetljenja: 110-240V~50Hz, MAX. 2W LED
 - ILCOS D kod za ovu lampu je: DBS-2/65-H-120/33.
 - Maksimalna snaga: 2 W
 - Opseg napona: AC 110-240V
 - Dimenzije:



ZAŠTITA ŽIVOTNE SREDINE:



Ovaj uređaj je označen u skladu sa Evropskom direktivom 2012/19/EU o propisima o otpadnoj električnoj i elektronskoj opremi iz 2013. godine koji se odnose na električne i elektronske uređaje (WEEE). OEEO obuhvata i zagađujuće materije (koje mogu imati negativne posledice po okolinu) i osnovne komponente (koje se mogu ponovo koristiti). Važno je da se OEEO podvrgne posebnim tretmanima, u cilju pravilnog otklanjanja i odlaganja svih zagađivača, kao i vraćanju i recikliranju svih materijala. Svaki pojedinac može pomoći da se obezbedi da OEEO ne postane problem u procesu zaštite životne sredine; od ključnog je značaja pridržavati se nekih osnovnih pravila:

- OEEO se ne sme tretirati kao kućni otpad;
- OEEO se predaje mestima nadležnim za prikupljanje takvog otpada kojima upravljaju opština ili registrovana preduzeća.

U mnogim zemljama, za velike OEEO postoji sakupljanje kod kuće. Kada kupite novi uređaj, stari možete da vratite prodavcu koji je u obavezi da ga preuzme besplatno na bazi jedan-za-jedan, sve dok je oprema odgovarajućeg tipa i ima iste funkcije kao isporučena oprema.

NAPOMENA:

Kako smanjiti ukupan uticaj na životnu sredinu (na primer potrošnja energije).

- (1) Montirajte aspirator na odgovarajuće mesto gde je dobra ventilacija.
- (2) Redovno čistite aspirator kako protok vazduha ne bi bilo blokiran.
- (3) Ne zaboravite da isključite svetlo aspiratora nakon kuvanja.
- (4) Ne zaboravite da isključite aspirator nakon kuvanja.

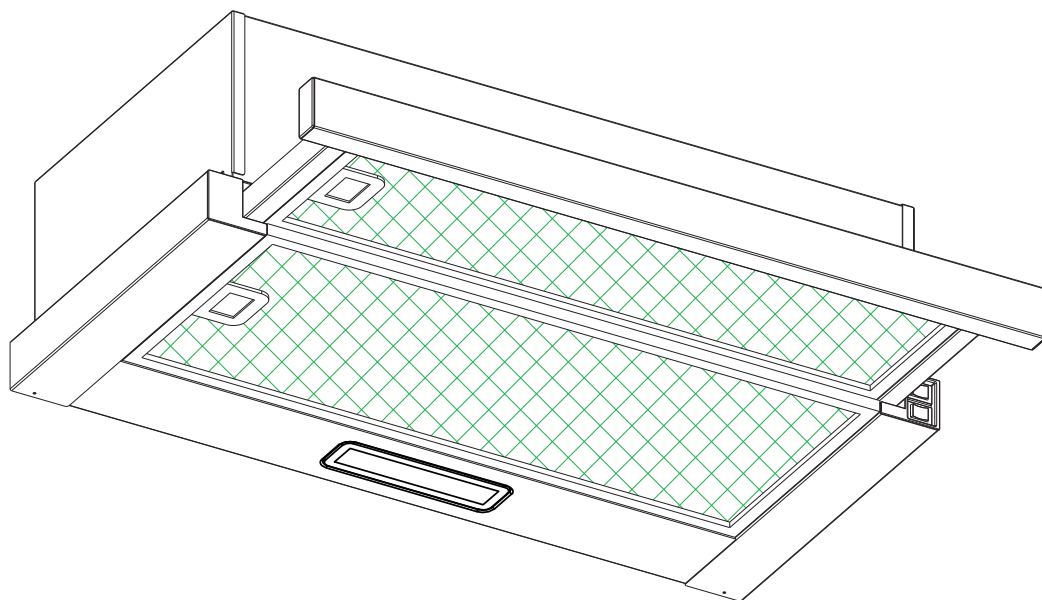
INFORMACIJE ZA RASKLAPANJE

Nemojte rasklapati uređaj drugačije od načina koji je naveden u ovom uputstvu. Uređaj ne treba da rasklapa korisnik. Na kraju životnog veka, uređaj se ne sme odlagati zajedno s kućnim otpadom. Što se tiče recikliranja posavetujte se s lokalnim nadležnima ili zastupnikom.

Модел:

СВТ625/2Х
СВТ625/2W, СВТ625/2В

Кухненски аспиратор
Инструкция за употреба



СЪДЪРЖАНИЕ

1. Инструкции за безопасност.	3 - 4
2. Монтаж.	5 - 8
3. Започнете да използвате вашия кухненски аспиратор.	8
4. Възможни неизправности.	8 - 9
5. Поддръжка и почистване.	9 - 12
6. Опазване на околната среда.	12

ИНСТРУКЦИИ ЗА БЕЗОПАСНОСТ.

Това ръководство обяснява правилният монтаж и използване на вашият кухненски аспиратор. Моля, прочетете го внимателно преди да пристъпите към използване на уреда, дори и ако сте запознати с продукта. Ръководството трябва да се съхранява на сигурно място за бъдещи справки.

Никога не извършвайте:

- Не се опитвайте да използвате аспиратора без филтрите за мазнина или ако филтрите са прекалено наситени с мазнина!
- Не инсталирайте кухненския аспиратор над готварска печка с високо ниво монтиран грил.
- Не оставяйте без наблюдение тигани по време на използване, понеже прегрятите мазнини или масла може да се запалят.
- Никога не оставяйте открити пламъци под кухненския аспиратор.



- Ако кухненския аспиратор е повреден, не правете опити да го ползвате.
- Не палете огън за приготвяне на фламбе под аспиратора.
- **ВНИМАНИЕ:** Достъпните част могат да се нагорещат, когато се използват с готварски уреди.
- Минимално разстояние между опорната повърхност за съдовете за готвене на котлона и най-ниската част на аспиратора (когато аспираторът е разположен над газов уред), трябва да бъде най-малко 65 cm.
- Въздухът не трябва да се отвежда в димоотвод, който се използва за отвеждане на пламъци от уреди работещи с газ или други горива.



Винаги извършвайте:

- Важно: Винаги изключвайте захранването с електрическа енергия от мрежата по време на дейности по монтаж и поддръжка, такива като подмяна на крушка.
- Кухненският аспиратор трябва да бъде монтиран в съответствие с инструкциите за монтаж и всички свързани с това оразмерявания.
- Цялата дейност по монтажа трябва да се извършва от компетентно лице или от квалифициран електротехник.
- Моля, внимателно изхвърлете опаковъчния материал. Децата са уязвими към него.
- Обърнете внимание на острите ръбове вътре в аспиратора, особено по време на монтаж и почистване на същия.
- Когато аспираторът е разположен над газов уред, минималното разстояние между опорната повърхност на съдовете за готвене на плота и най-долната част на аспиратора трябва да бъде:
За газови печки: 75 cm;
За електрически печки: 65 cm;
За печки на въглища или печки работещи с течно гориво: 75 cm.
- Уверете се, че въздухоотвеждащия тръбопровод не е огънат под ъгъл по-малък от 90 градуса, понеже това ще намали ефективността на работата на аспиратора.
- Предупреждение: Неинсталирането на винтовете или фиксиращото устройство в съответствие с тези инструкции може да доведе до електрически опасности.

Винаги извършвайте:

- Винаги поставяйте капаци на тенджери и тигани при готвене на газова печка.
- Когато е в режим на извличане, въздухът в стаята се отстранява от кухненския аспиратор. Уверете се, че се спазват правилните мерки за вентилация. Аспираторът премахва миризми от помещението, но не и изпарения.
- Кухненският аспиратор е предназначен само за домашна употреба.



- Ако захранващият кабел е повреден, той трябва да бъде подменен от представител на производителя, от негов сервизен представител, или от друго лице с такава квалификация, за да се избегне възникването на опасност.
- Този уред може да се използва от деца на възраст до 8 години и от лица с намалени физически, сетивни или умствени способности, или от лица с липса на опит и познания, ако на тях им е осигурен надзор или инструкции, относно използването на уреда по безопасен начин и те разбират свързаните с работата на уреда опасности. Децата не трябва да си играят с уреда. Почистването и поддръжката на уреда не трябва да се извършва от деца без осигурен надзор.



- Предупреждение: Преди да получите достъп до клемите за захранване с ел. енергия, всички захранващи с ток вериги трябва да бъдат изключени.

МОНТАЖ (С ОТДУШНИК ИЗВЕДЕН ОТВЪН).

Винаги извършвайте:

- Внимание: Уредът и достъпните му части могат да се нагорещат по време на работа. Внимавайте да не докосвате нагретите елементи. Децата под 8-годишна възраст трябва да стоят настрана, освен ако не са под постоянен надзор.
- Трябва да е осигурена достатъчна вентилация в помещението, когато аспираторът се използва едновременно с уреди, които работят с газ или други горива.
- Съществува риск от възникване на пожар, ако почистването не се извършва в съответствие с инструкциите.
- Регламентите относно засмукването и изхвърлянето на замърсения въздух трябва да се изпълняват.
- Почиствайте уреда периодично, като следвайте метода, указан в раздел „Поддръжка“.
- От съображения за безопасност, използвайте само същия размер на фиксиращи или монтажни винтове, които се препоръчват в „Инструкция за употреба“.
- По отношение на подробностите свързани с метода и честотата на почистване вижте раздела „Поддръжка и почистване“ от „Инструкцията за употреба“.
- Почистването и поддръжката не трябва да се извършват от деца без осигурен надзор.
- Когато абсорбаторът и уреди, които са захранвани с енергия, различна от електричество, работят едновременно, отрицателното налягане в помещението не трябва да надвишава 4 Pa (4 x 10⁻⁵ bar).
- ПРЕДУПРЕЖДЕНИЕ: Опасност от възникване на пожар: Не съхранявайте вещи върху повърхностите за готвене.
- Да не се използва парочистачка за почистване на уреда.
- НИКОГА не се опитвайте да угасите пожар с вода, вместо това изключете уреда от захранване с електрическа енергия, след което се опитайте да покриете пламъка напр. с капак или с одеало.

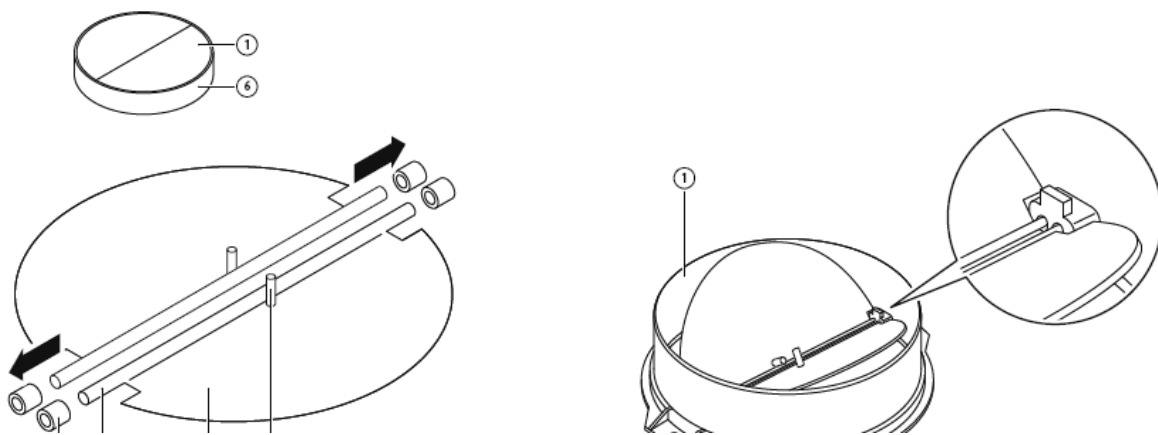
МОНТАЖ НА V-КЛАПА.

**Dopūlnitelen aksesoar, dostaven samo s nyakoi modeli.*

Ако кухненският аспиратор няма сглобена V-клапа 1, следва да монтирате двете половинки на клапата към нейното тяло. Изображенията показват само пример как да се инсталира V-клапата, изходният отвор за въздухоотвеждащия тръбопровод може да варира в зависимост от модела и конфигурацията.

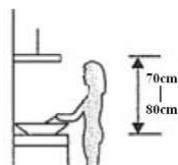
За да монтирате V-клапата 1 трябва да:

- Инсталирате двете половинки 2 на тялото на клапата 6;
- Щифтът 3 трябва да е ориентиран нагоре;
- Осите 4 трябва да бъдат вкарани в отворите 5 на тялото;
- Повторете всички операции за монтажа и на втората половина на V-клапата.

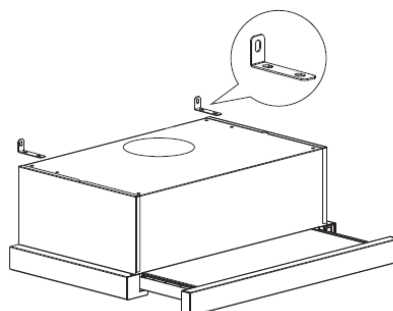


ИНСТАЛИРАНЕ (Монтаж на стена).

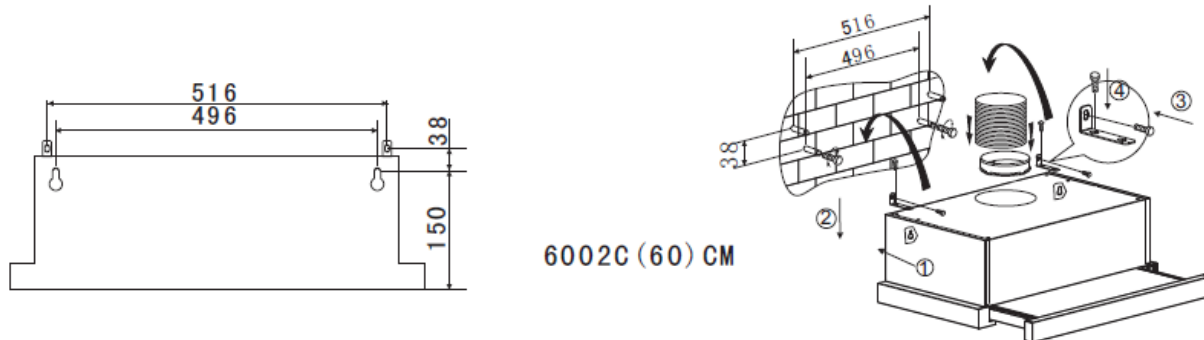
1. Определете мястото на отворите за закрепване и фиксиране на аспиратора.



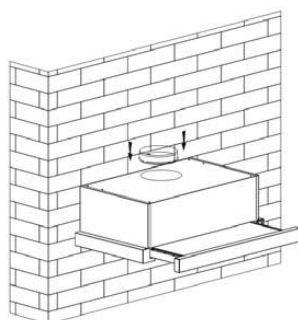
2. С помощта на два винта (4mm x 10mm) монтирайте Г-образните планки отгоре върху аспиратора.



3. Аспираторът се монтира на стена с помощта на 4 бр. винта (4x30 мм) и дюбели за стена. Инсталирайте кухненския аспиратор със задната част на уреда към стената с помощта на два бр. винта (4x30 мм) и дюбели за стена. След това фиксирайте аспиратора към стената чрез другите два бр. винта (4x30 мм) и дюбели за стена и с помощта на късите рамена на Г-образните планки, през чиито отвори вкарайте винтовете преди да ги завиеете в дюбелите.

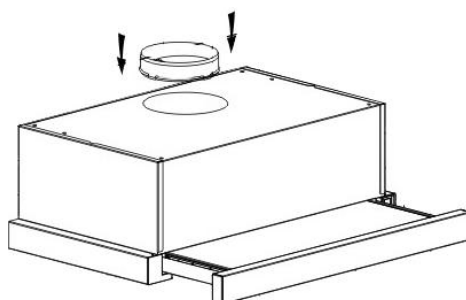


4. Фиксирайте еднопосочния клапан (V-клапата) в изходния отвор за въздухоотвеждащия тръбопровод на аспиратора.

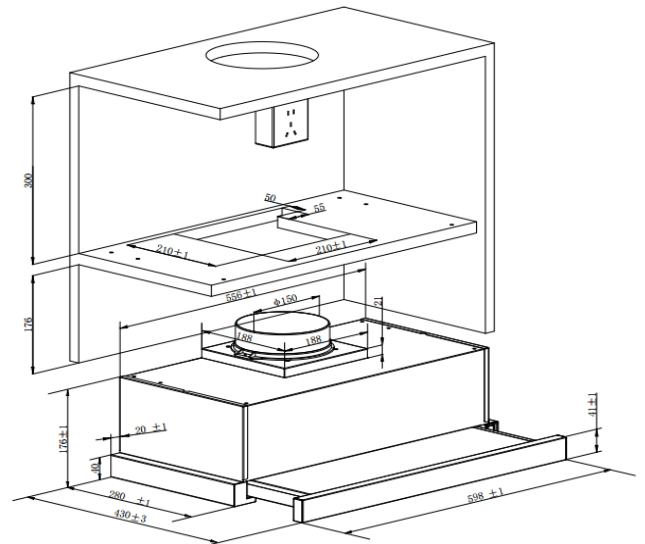
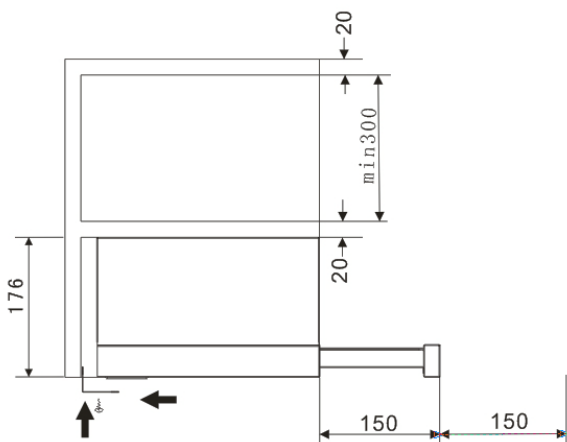
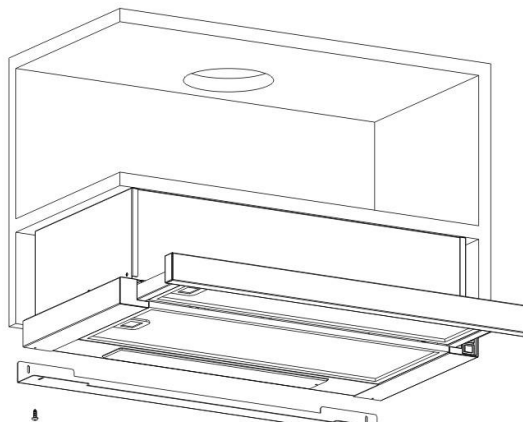
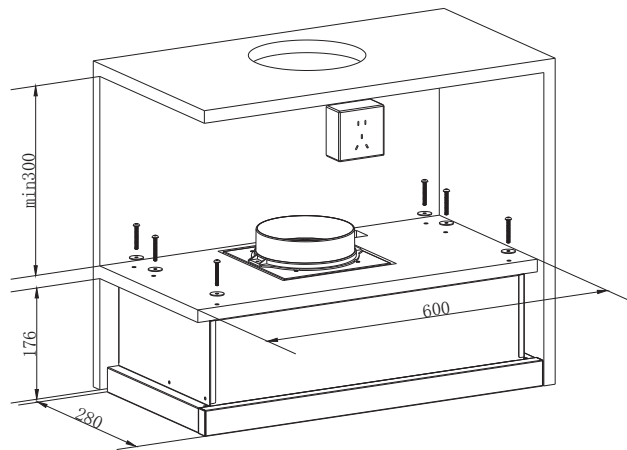
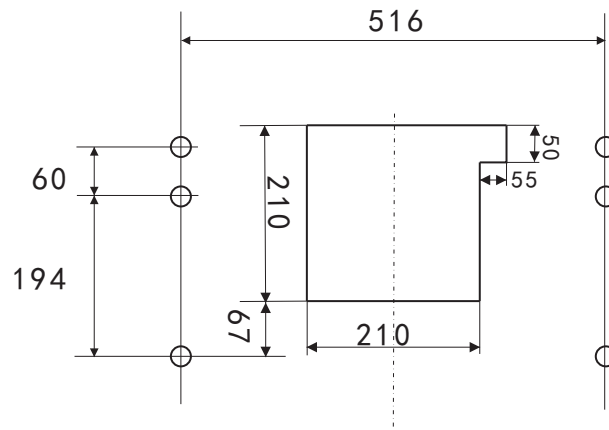


ИНСТАЛИРАНЕ (Монтаж в шкаф).

1. Фиксирайте еднопосочния клапан (V-клапата) в изходния отвор за въздухоотвеждащия тръбопровод на аспиратора




2. Монтирайте кухненския аспиратор в шкафа с помощта на 6 бр. винта (4x35 мм) и подложни шайби.



Ако има просвет между стената и аспиратора, може да инсталирате Г-образните планки на дъното на аспиратора с два бр. винта (3x12 мм).

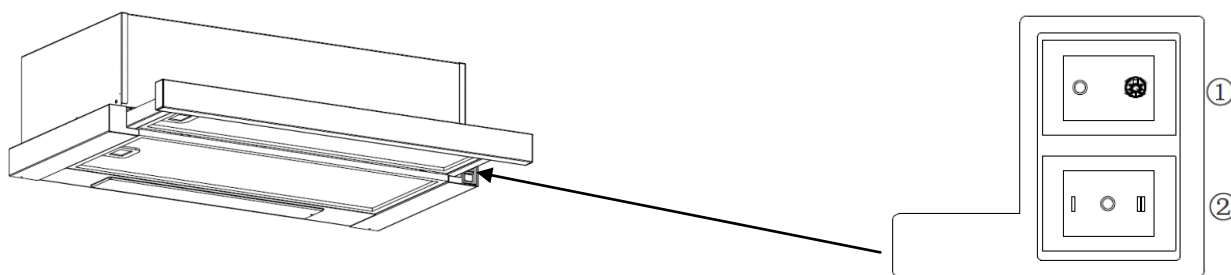
Монтажа на Г-образните планки е опционален.

Забележка: Въздухоотвеждащия тръбопровод не е включен в окомплектоването на продукта.

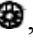
<p>ПРЕДУПРЕЖДЕНИЕ:</p> 	<p>➤ От съображения за сигурност, моля използвайте същия размер монтажни винтове, които са препоръчани в тази инструкция за употреба.</p> <p>➤ Неинсталирането на винтовете или фиксиращото устройство в съответствие с тези инструкции може да доведе до опасности с електрически ток.</p>
---	---

ЗАПОЧНЕТЕ ДА ИЗПОЛЗВАТЕ ВАШИЯ КУХНЕНСКИ АСПИРАТОР.

Кобиличен превключвател (ключ) за електрически ток.



Кобиличен превключвател (ключ) за ел. ток (Rocker switch)

1. Включете щепсела със захранващия кабел в гнездото с електрическия контакт.
2. Натиснете превключвател ① на положение , ще се включи лампата за осветление; натиснете превключвател ① на положение „0”, лампата за осветление ще се изключи.
3. Натиснете превключвател ② на положения „I” или „II”, електрическият двигател на вентилатора ще работи на „ниска” или „висока” скорост, налични са две скорости на оборотите на електрическия двигател; натиснете превключвател ② на положение „0”, електрическият двигател на вентилатора ще се изключи.
4. Когато изтеглите челния панел на аспиратора, захранването с електрическа енергия няма да се изключи. Обратното, когато приберете челния панел, захранването с ел. енергия ще се изключи.

ВЪЗМОЖНИ НЕИЗПРАВНОСТИ.

Неизправност	Възможна причина	Решение
Осветлението работи, но електродвигателят на вентилатора не работи.	Изключен превключвател за вентилатора.	Изберете позиция за превключвателя на вентилатора.
	Превключвателя за вентилатора не работи.	Свържете се с център за услуги.

Неизправност	Възможна причина	Решение
	Електродвигателят не работи.	Свържете се център за услуги.
Осветлението не работи, електродвигателят не работи.	Електрическите предпазителите на жилището са изгорели/изключени .	Включете/подменете предпазителите.
	Захранващия кабел е хлабав, с лош контакт или откачен.	Притегнете свързването на захранващия кабел, както и това в контактното гнездо. Включете кабела в гнездото.
Теч на масло.	Еднопосочният V- клапан и изходът за въздухоотвеждащия (вентилация) тръбопровод не са уплътнени добре.	Демонтирайте еднопосочния клапан и уплътнете с уплътнител.
	Теч при свързването на комина и капака.	Демонтирайте комина и уплътнете.
Крушките за осветление не работят.	Повредени/изгорели крушки.	Подменете крушките съгласно тази инструкция.
Слабо засмукване.	Разстоянието между аспиратора и плота за готвене е твърде голямо.	Фиксирайте отново аспиратора на правилното разстояние.
Кухненският аспиратор е наклонен.	Фиксиращият винт не е притегнат достатъчно надеждно.	Затегнете винта за окачване и нивелирайте аспиратора.



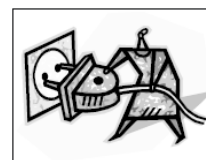
ЗАБЕЛЕЖКА:

Всички електрически ремонти по този уред трябва да отговарят на изискванията на вашите местни и държавни закони. Моля, свържете се със сервизния център, ако имате съмнения преди да предприемате някоя от горепосочените действия. Винаги изключвайте уреда от източника на захранване, когато го отваряте.

ПОДДРЪЖКА И ПОЧИСТВАНЕ.

Внимание:

- Преди да пристъпите към дейност по поддръжка или почистване, аспираторът трябва да се изключи от електрическото захранване. Уверете се, че аспираторът е изключен от контактното гнездо в стената и щепселът е отстранен.



- Външните повърхности са податливи на драскотини и ожулвания, така че, моля, следвайте инструкциите за почистване, за да се гарантира най-добрият възможен резултат при почистване без нанасяне на повреди.

ОБЩИ ПОЛОЖЕНИЯ.

Поддръжката и особено почистването трябва да се извършват при изстинал уред. Избягвайте да оставяте алкални или киселинни вещества (лимонов сок, оцет и т. н.) върху повърхностите на уреда.

ПОВЪРХНОСТИ ИЗРАБОТЕНИ ОТ НЕРЪЖДАЕМА СТОМАНА.

Неръждаемата стомана трябва да се почиства редовно (например седмично), за да се осигури дълга продължителност на живота. Подсушете с чиста мека кърпа. Може да се използва специализирана почистваща течност за неръждаема стомана.

ЗАБЕЛЕЖКА:

Уверете се, че избърсването се извършва с кръгообразни движения за да избегнете получаване на драскотини по повърхността.

ПОВЪРХНОСТ НА КОНТРОЛНИЯ ПАНЕЛ.

Вграденият контролен панел може да се почиства с топла сапунена вода. Уверете се, че кърпата е чиста и добре изцедена преди почистване. Използвайте суха мека кърпа, за да премахнете излишната влага, оставена след почистване.

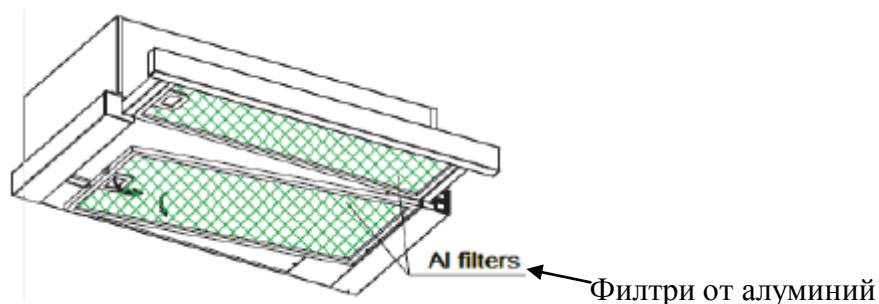
Важно:

Използвайте неутрални детергенти и избягвайте използването на тежки почистващи химикали, силни битови перилни препарати или продукти, съдържащи абразиви, тъй като това ще повлияе на външния вид на уреда и евентуално ще премахне отпечатаните надписи и знаци, което ще доведе до невалидна гаранция на производителя.

МРЕЖЕСТИ ФИЛТРИ ЗА МАЗНИНИ.

Мрежестите филтри могат да се почистват или на ръка. Потопете ги в продължение на около 3 минути във вода с препарат за разтваряне на мазнините, след което внимателно измийте с мека четка. Моля, не прилагайте прекалено голям натиск за да не ги повредите. (Оставете ги да изсъхнат естествено от въздействието пряка слънчева светлина)

Филтрите трябва да се измиват отделно до приборите и кухненските съдове. Препоръчително е да не се използва изплакващо средство



МОНТИРАНЕ НА МРЕЖЕСТИТЕ ФИЛТРИ ЗА МАЗНИНИ.

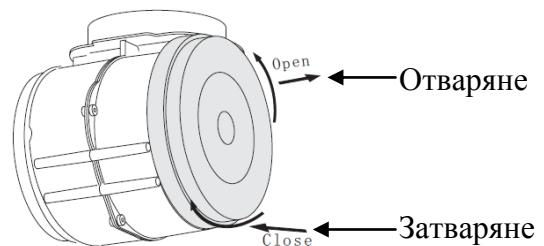
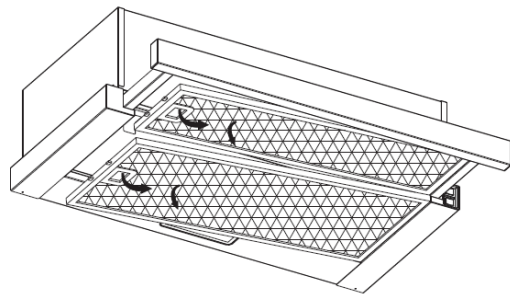
Монтирайте филтрите, като следвате следните четири стъпки:

- Фиксирайте филтъра под ъгъл в слота в задната част на капака;
- Натиснете бутон върху дръжката на филтъра;
- Освободете дръжката, след като филтърът влезе в инсталирано работно положение;
- Повторете операциите за монтажа на останалите филтри.

ФИЛТЪР С АКТИВЕН ВЪГЛЕН – не е включен в окомплектоването.

Филтърът с активен въглен може да се използва за улавяне на миризми. Обикновено филтърът с активен въглен трябва да се смени на три или шест месеца, според вашия навик за готвене. Процедурата по инсталиране на филтъра с активен въглен е описана по-долу.


- (1) Издърпайте челния панел на кухненския апирастор.
- (2) Първо снемете алуминиевия филтър. Натиснете заключващия механизъм и изтеглете надолу мрежестия филтър.
- (3) Извадете филтърът с активен въглен като го завъртите в посока обратна на часовниковата стрелка.
- (4) Подменете го с нов филтър с активен въглен.



ЗАБЕЛЕЖКА:

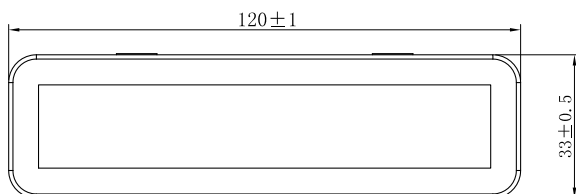
- Уверете се, че филтърът е здраво фиксиран. В противен случай ще се разхлаби и ще предизвика опасност.
- Когато е монтиран филтър с активен въглен, смукателната мощност на аспиратора се намалява.

ПОДМЯНА НА КРУШКА.

<p>Важно:</p> 	<ul style="list-style-type: none">❖ Крушката трябва да бъде заменена от производителя, от неговия сервизен агент, или от лица с подобна квалификация.❖ Винаги изключвайте захранването преди извършване на каквито и да е операции по уреда. Когато боравите с крушката, уверете се, че е напълно охладена преди да я пипате директно с ръцете.❖ Когато боравите с крушката, дръжте я с парче плат или с ръкавици за да сте сигурни, че влагата няма да влезе в контакт с крушката, което би довело до намаляване живота на крушката.
--	---

- (1) Изключете уреда и извадете захранващия кабел.
- (2) Издърпайте челния панел на кухненския апирастор.
- (3) Първо снемете алуминиевия филтър. Натиснете заключващия механизъм и изтеглете надолу мрежестия филтър.
- (4) Подменете със същия тип крушка: 110-240V~50Hz, MAX 2W LED.

- **Кода по ILCOS¹ за тази крушка е DBS-2/65-H-120/33:**
 - Максимална мощност: 2 W;
 - Обхват на напрежение: AC 110-240V;
 - Размери:



ОПАЗВАНЕ НА ОКОЛНАТА СРЕДА



Този уред е етикетан в съответствие с разпоредбите на Европейската директива 2012/19/ЕС относно отпадъците от електрическо и електронно оборудване от 2013 г. по отношение на електрическите и електронните уреди (ОЕЕО). ОЕЕО съдържат както замърсяващи вещества (които могат да имат отрицателен ефект върху околната среда), така и основни елементи (които могат да бъдат повторно използвани). Важно е ОЕЕО да бъдат подложени на специфична обработка за правилно отстраняване и обезвреждане на замърсителите и оползотворяване на всички материали. Отделните лица могат да играят важна роля за гарантиране, че ОЕЕО няма да се превърнат в екологичен проблем; от съществено значение е да се спазват няколко основни правила;

- ОЕЕО не следва да се третират като битови отпадъци;
- ОЕЕО следва да се пренасят в специални зони за събиране, управлявани от градския съвет или от регистрирано дружество.

В много държави събирането на битови отпадъци може да бъде достъпно за големи ОЕЕО. Когато купувате нов уред, старият може да бъде върнат на продавача, който трябва да го приеме безплатно еднократно, стига уредът да е от еквивалентен вид и да има същите функции като закупения уред.

ЗАБЕЛЕЖКА:

Следващото съдържание показва как да се намали общото въздействие върху околната среда (например потреблението на енергия) в процеса на готвене:

- (1) Инсталирайте аспиратора на подходящо място, където има ефективна вентилация.
- (2) Почиствайте кухненския аспиратор редовно, за да не блокирате пътя на отвеждания въздух.
- (3) Не забравяйте да изключите осветлението на аспиратора след готвене.
- (4) Не забравяйте да изключите кухненския аспиратор след готвене.

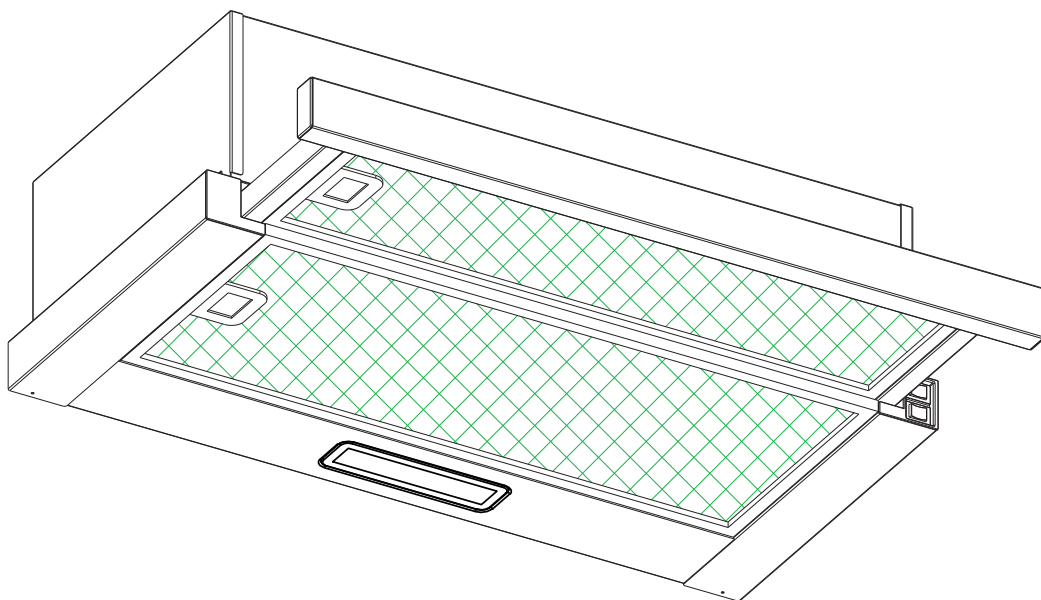
ИНФОРМАЦИЯ ЗА РАЗГЛОБЯВАНЕ

Не разглобявайте уреда по начин, който не е указан в инструкцията за потребителя. Уредът не може да бъде разглобен от потребителя. В края на жизнения цикъл уредът не трябва да се изхвърля заедно с битовите отпадъци. Консултирайте се с местната администрация или специализирана адвокатска кантора за съвет за рециклиране

¹ ILCOS= International Lamp Coding System/Международна система за кодиране на лампите.

Campana extractora

Manual de instrucciones



Índice

1. Instrucciones de seguridad
2. Instalación (ventilación exterior)
3. Empezar a usar la campana
extractora
4. Resolución de problemas
5. Mantenimiento y limpieza
6. Protección del medio ambiente:

INSTRUCCIONES DE SEGURIDAD

Este manual explica la instalación y el uso adecuados de su campana extractora. Léalo atentamente antes de usarla, incluso si está familiarizado con el producto. El manual debe guardarse en un lugar seguro para futuras consultas.

Lo que nunca debe hacer:

- ¡No use la campana extractora sin los filtros de grasa o si los filtros están excesivamente grasientos!
- No la instale encima de una cocina con una parrilla de alto nivel.
- No deje las sartenes desatendidas durante el uso porque las grasas o aceites sobrecalentados pueden prenderse en llamas.
- Nunca deje llamas abiertas debajo de la campana extractora.



- No intente usar la campana extractora si está dañada.
- No flambee debajo de la campana extractora.
- **PRECAUCIÓN:** Las partes accesibles pueden calentarse cuando se usan con aparatos de cocina.
- La distancia mínima entre la superficie de soporte para los utensilios de cocción en el fogón y la parte más baja de la campana extractora. (Cuando la campana se encuentra encima de una cocina de gas, esta distancia debe ser de al menos 65 cm).
- El aire no debe extraerse en conductos usados para expulsar humos de aparatos que queman gas u otros combustibles.

Lo que siempre debe hacer:

- ¡Importante! Apague siempre el suministro de la red eléctrica durante la instalación y las actividades de mantenimiento, como cambiar una bombilla.
- La campana extractora debe instalarse de acuerdo con las instrucciones de instalación y todas las medidas seguidas.
- Todos los trabajos de instalación deben ser realizados por una persona competente o un electricista cualificado.
- Deseche el material de embalaje cuidadosamente. Los niños son vulnerables a este.
- Preste atención a los bordes afilados dentro de la campana extractora, especialmente durante la instalación y la limpieza.
- Cuando la campana extractora se encuentra encima de una cocina de gas, la distancia mínima entre la superficie de soporte para los utensilios de cocción en el fogón y la parte más baja de la campana debe ser:
Cocinas de gas: 75 cm
Cocinas eléctricas: 65 cm
Cocinas de carbón o aceite: 75 cm
- Asegúrese de que los conductos no tengan dobleces superiores a 90 grados, ya que esto reducirá la eficiencia de la campana extractora.



Lo que siempre debe hacer:

- Coloque siempre tapas en ollas y sartenes cuando cocine en una cocina de gas.
- Cuando se encuentre en el modo de extracción, la campana extractora estará extrayendo el aire de la habitación. Asegúrese de que se estén observando las medidas de ventilación adecuadas. La campana extractora elimina los olores de la habitación, pero no el vapor.
- La campana extractora es solo para uso doméstico.



- Si el cable de alimentación está dañado, debe ser sustituido por el fabricante, por el servicio técnico o cualquier profesional cualificado similar para evitar peligros.
- Este electrodoméstico puede ser utilizado por niños a partir de 8 años y por personas con capacidades físicas, sensoriales o mentales reducidas, o sin experiencia o conocimientos, siempre y cuando previamente hayan recibido la supervisión y las instrucciones necesarias para utilizar el aparato de forma segura y comprendan los riesgos que implica. Los niños no deben jugar con este electrodoméstico. Las operaciones de limpieza y mantenimiento no deben ser realizadas por niños sin supervisión.



- •Advertencia: Si los tornillos o el dispositivo de fijación no se instalan de acuerdo con estas instrucciones, pueden producirse riesgos eléctricos.

Lo que siempre debe hacer:

- Precaución: El electrodoméstico y sus accesorios se pueden calentar durante el uso. Trate de evitar tocar los elementos de calentamiento. Los niños menores de 8 años deben mantenerse alejados a menos que estén bajo supervisión permanente.
- La habitación debe estar adecuadamente ventilada cuando la campana extractora se usa al mismo tiempo que electrodomésticos que quemen gas u otros combustibles.
- Existe un riesgo de incendio si la limpieza no se lleva a cabo de acuerdo con las instrucciones.
- Deben cumplirse las normativas relativas a la extracción de aire.
- Limpie su electrodoméstico periódicamente siguiendo el método indicado en el capítulo MANTENIMIENTO.
- Por razones de seguridad, use solo tornillos de fijación o montaje del tamaño recomendado en este manual de instrucciones.
- En cuanto a los detalles sobre el método y la frecuencia de limpieza, consulte la sección de mantenimiento y limpieza en el manual de instrucciones.
- Las operaciones de limpieza y mantenimiento no deben ser realizadas por niños sin supervisión.
- Cuando la campana extractora y los electrodomésticos que funcionan con energía que no sea electricidad están funcionando simultáneamente, la presión negativa en la habitación no debe superar los 4 Pa (4×10^{-5} bar).
- PRECAUCIÓN: Peligro de incendio: no almacene artículos sobre las superficies de cocción.
- No se debe utilizar un limpiador a vapor.

- Advertencia: Antes de obtener acceso a los terminales, todos los circuitos de suministro deben estar desconectados.
- NUNCA intente apagar un incendio con agua; debe apagar el aparato y cubrir posteriormente la llama, p. ej., con una tapa o una manta contra incendios.

INSTALACIÓN (VENTILACIÓN EXTERIOR)

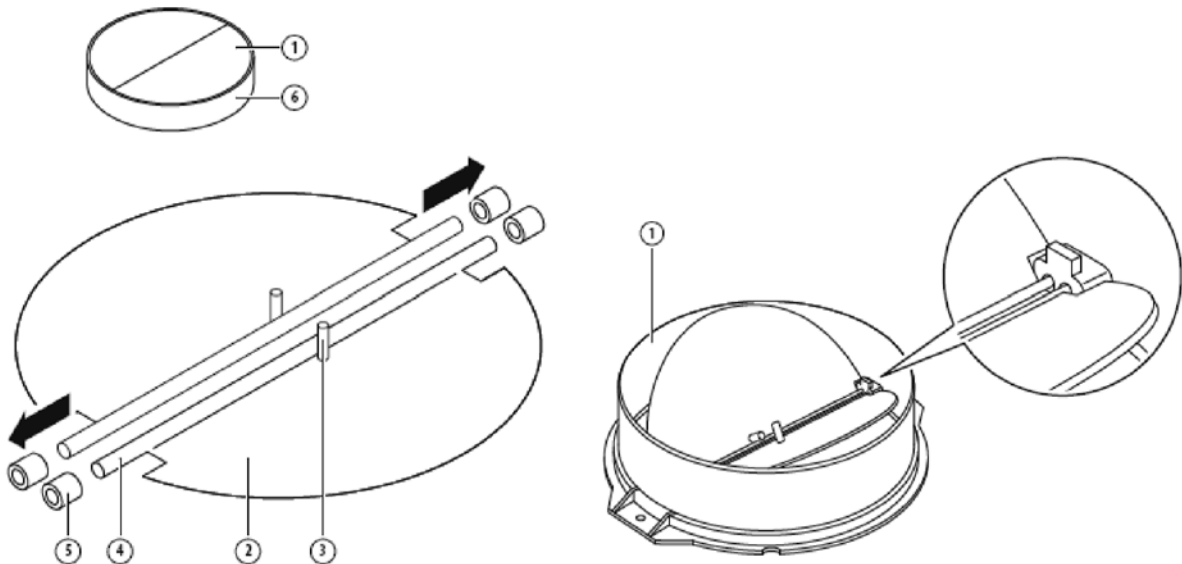
MONTAJE DE LA TAPA EN V

C&&A•[!q•Á] &q} ap•Á { q̄ ã dæ[•Á[[Á} Áq~}[•Á [â^][•È

Si la campana extractora no dispone de una tapa en V 1 montada, debe montar las mitades en su cuerpo. Las imágenes solo muestran un ejemplo de cómo montar la tapa en V, la salida puede ser diferente según los diferentes modelos y configuraciones.

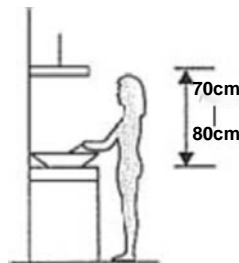
Para montar la tapa en V, debe:

- Montar las dos mitades 2 en el cuerpo 6.
- Un pasador 3 debería estar orientado hacia arriba.
- El eje 4 debería introducirse en los orificios 5 en el cuerpo.
- Repita todas las operaciones para la 2ª mitad.

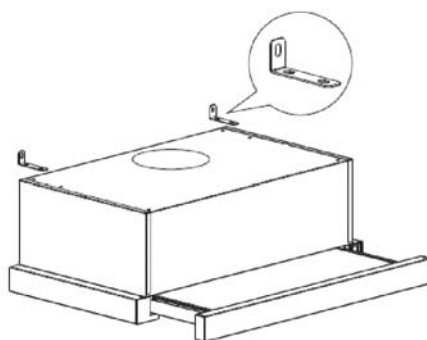


INSTALACIÓN (Montaje en pared)

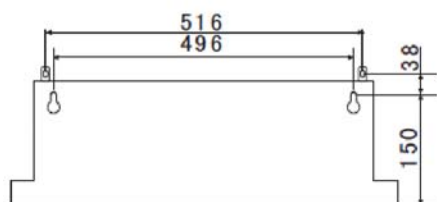
1. Decida la ubicación de los agujeros para fijar la campana extractora.



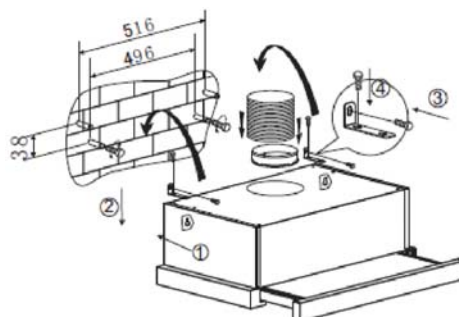
2. Instale el soporte en forma de L en la parte superior de la campana con dos tornillos (4 mm x 10 mm).



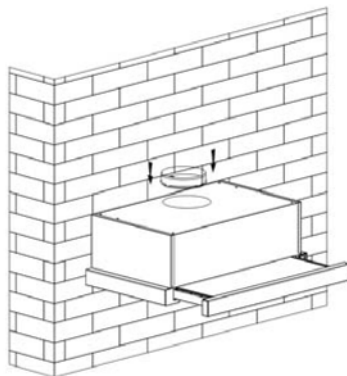
3. La campana extractora se monta en la pared con 4 tornillos (4 mm x 30 mm) y tacos de pared. Monte la campana extractora en la pared con 2 tornillos (4 mm x 30 mm) y tacos de pared en la parte posterior de la campana. Luego fije la campana extractora en la pared con 2 tornillos (4 mm x 30 mm) y tacos de pared ajustados al soporte pequeño en forma de L.



6002C (60) CM

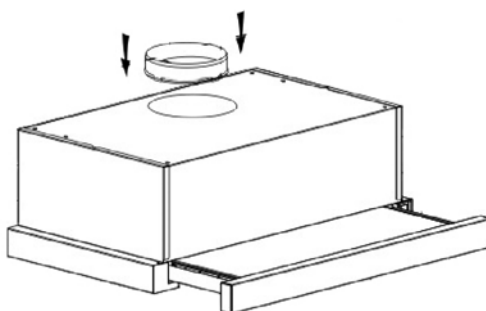


4. Fije la válvula de una vía a la salida de aire de la campana extractora.

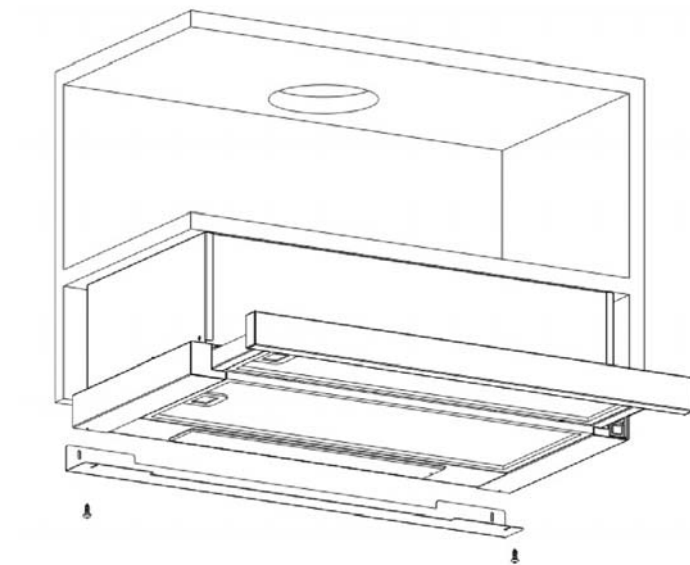
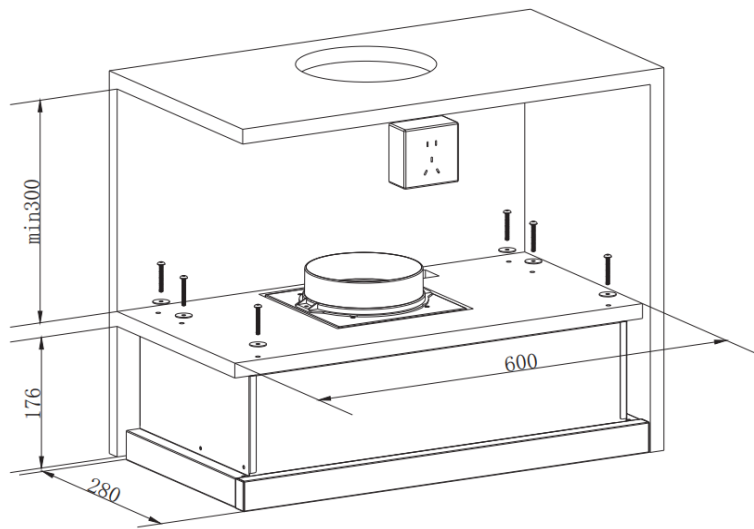
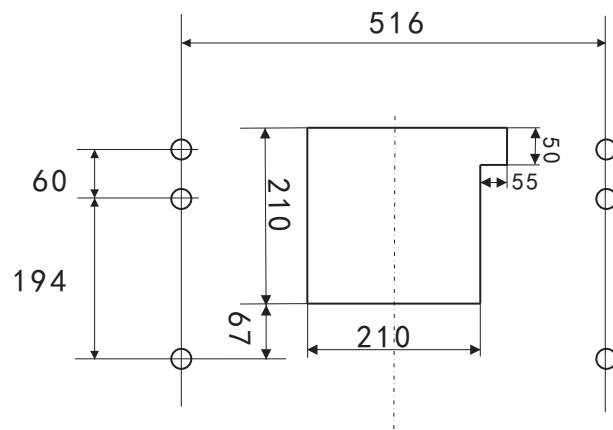


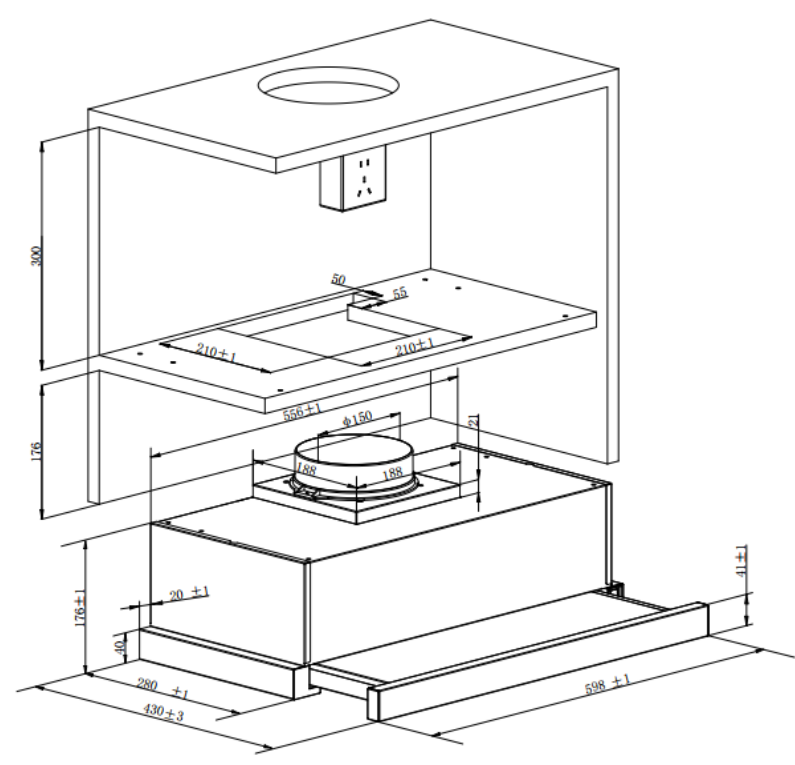
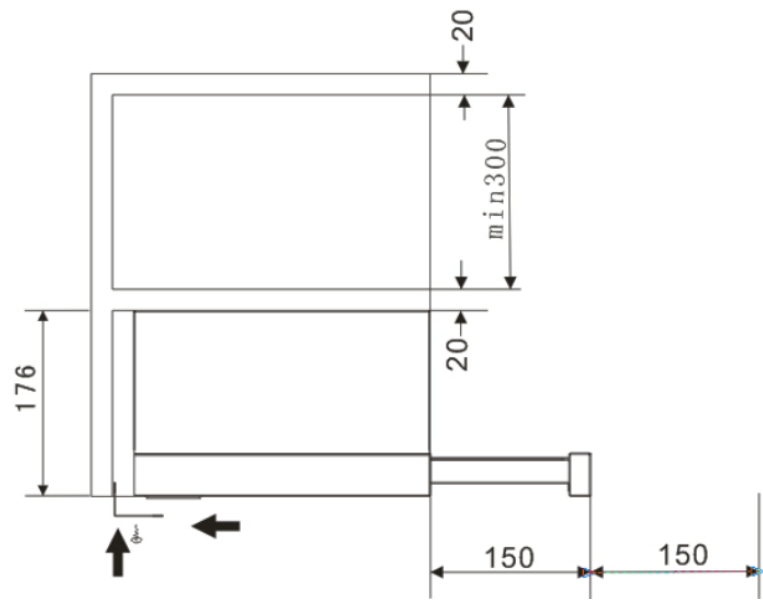
INSTALACIÓN (Montaje en armario)

1. Fije la válvula de una vía a la salida de aire de la campana extractora.



2. Monte la campana extractora en el armario con 6 tornillos (4 x 35 mm) y arandelas planas.






Si hay un espacio entre la pared y la campana extractora, puede instalar el soporte en forma de L en la parte inferior de la campana mediante dos tornillos (3 x 12 mm).

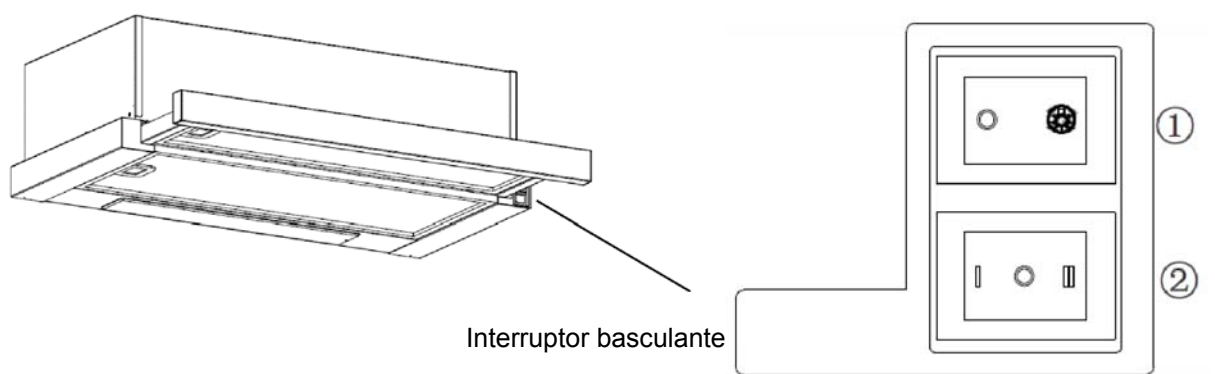
La instalación del soporte en forma de L es opcional.

Nota: El tubo de expansión no está incluido en el producto.

<p>PRECAUCIÓN:</p> 	<p>➤ Por razones de seguridad, use solo tornillos de fijación o montaje del tamaño recomendado en este manual de instrucciones.</p> <p>➤ Si los tornillos o el dispositivo de fijación no se instalan de acuerdo con estas instrucciones, pueden producirse riesgos eléctricos.</p>
---	---

Empezar a usar la campana extractora

Interruptor basculante



1. Introduzca el enchufe en la toma de corriente.
2. Mueva el interruptor ① hacia, la luz se encenderá; mueva el interruptor ① a "0", la luz se apagará.
3. Mueva el interruptor ② hacia "I, II", el motor estará en una de las dos

velocidades, "baja, alta"; mueva el interruptor a "0", el motor se apagará.

4. La alimentación se conectará cuando saque el panel frontal. Por el contrario, la alimentación se desconectará automáticamente.

RESOLUCIÓN DE PROBLEMAS

Fallo	Causa posible	Solución
La luz está encendida, pero el motor no funciona	Interruptor del ventilador apagado	Seleccione una posición para el interruptor del ventilador.
	Fallo del interruptor del ventilador	Póngase en contacto con el centro de asistencia técnica.
	Fallo del motor	Póngase en contacto con el centro de asistencia técnica.
La luz no funciona, el motor no funciona	Han saltado los fusibles de la casa	Restablezca/Reemplace los fusibles.
	Cable de alimentación suelto o desconectado	Vuelva a ajustar el cable a la toma de corriente. Encienda la toma de corriente.
Fuga de aceite	La válvula de una vía y la salida no están herméticamente selladas	Desmonte la válvula de una vía y selle con un sellador.
	Fuga en la conexión del tubo de salida y la cubierta	Desmonte el tubo de salida y séllelo.
Las luces no funcionan	Globos rotos/defectuosos	Sustituya los globos siguiendo estas instrucciones.
Succión insuficiente	La distancia entre la campana extractora y el gas está demasiado lejos	Vuelva a colocar la campana extractora a la distancia correcta.
La campana extractora se inclina	El tornillo de fijación no está lo suficientemente ajustado	Apriete el tornillo de suspensión y coloque la campana en posición horizontal.

NOTA:

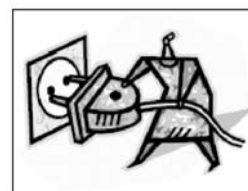


Cualquier reparación eléctrica de este electrodoméstico debe cumplir con las leyes locales, estatales y federales. Póngase en contacto con el centro de asistencia técnica si tiene alguna duda antes de realizar cualquiera de los pasos anteriores. Desconecte siempre la unidad de la fuente de alimentación cuando abra la unidad.

MANTENIMIENTO Y LIMPIEZA

Precaución:

- Antes de llevar a cabo el mantenimiento o la limpieza, la campana extractora debe estar desconectada de la fuente de alimentación principal. Asegúrese de que la campana extractora esté desconectada de la toma de pared y que se



haya retirado el enchufe.

- Las superficies externas son susceptibles a rasguños y abrasiones, por lo tanto, siga las instrucciones de limpieza para garantizar que se obtenga el mejor resultado posible sin daños.

GENERAL

La limpieza y el mantenimiento se deben llevar a cabo con el aparato frío, especialmente durante la limpieza. Evite dejar sustancias alcalinas o ácidas (jugo de limón, vinagre, etc.) en las superficies.

ACERO INOXIDABLE

El acero inoxidable debe limpiarse de forma regular (porejemplo, semanalmente) para garantizar una larga vida útil. Séquelo con un paño suave y limpio. Se puede usar un detergente específico para acero inoxidable.

NOTA:

Asegúrese de que la limpieza se realice siguiendo la trama del acero inoxidable para evitar que aparezcan los antiestéticos patrones de rayado cruzado.

SUPERFICIE DEL PANEL DE CONTROL

El panel de control incrustado se puede limpiar con agua tibia con jabón. Asegúrese de que el paño esté limpio y bien escurrido antes de limpiarlo. Use un paño suave y seco para eliminar el exceso de humedad que queda después de la limpieza.

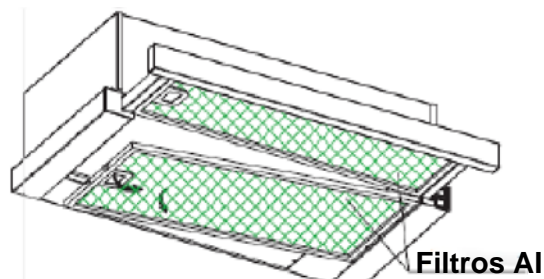
Importante

Use detergentes neutros y evite el uso de productos químicos de limpieza agresivos, detergentes domésticos fuertes o productos que contengan abrasivos, ya que esto afectará a la apariencia del electrodoméstico y posiblemente eliminará cualquier impresión estética en el panel de control y anulará la garantía del fabricante.

FILTROS DE MALLA PARA LA GRASA

Los filtros de malla se pueden limpiar a mano. Empápelos durante aproximadamente 3 minutos en agua con un detergente antigrasa y luego cepíllelos suavemente con un cepillo suave. No aplique demasiada presión, evite dañarlos. (Deje que se sequen de forma natural pero alejados de la luz directa del sol)

Los filtros deben lavarse separados de la vajilla y los utensilios de cocina. Se aconseja no utilizar agente enjuagante.



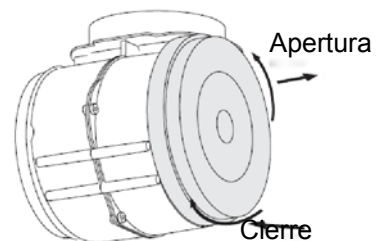
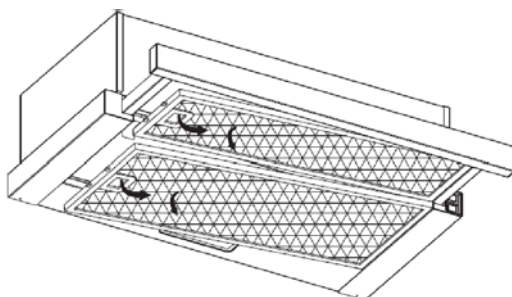
INSTALACIÓN DE LOS FILTROS DE MALLA PARA LA GRASA

- Para instalar los filtros, siga los siguientes cuatro pasos.
- Posicione el filtro en las ranuras de la parte posterior de la campana.
- Presione el botón del agarre del filtro.
- Suelte el agarre una vez que el filtro se ajuste en una posición de descanso.
- Repita este proceso para instalar todos los filtros.

FILTRO DE CARBONO - no incluido

El filtro de carbono activado se puede usar para atrapar los olores. Normalmente, el filtro de carbono activado debe cambiarse a los tres o seis meses, según sus hábitos de cocina. El procedimiento de instalación del filtro de carbono activado es el siguiente.

- (1) Deslice la parte frontal de la campana extractora.
- (2) Primero, debe extraerse el filtro al. Pulse el botón de bloqueo y tire hacia abajo.
- (3) Saque el filtro de carbono girándolo en sentido contrario a las agujas del reloj.
- (4) Coloque el nuevo filtro de carbono.



NOTA:

- Asegúrese de que el filtro esté bloqueado de forma segura. De lo contrario, se aflojaría y causaría daños.
- Cuando el filtro de carbono activado esté conectado, la potencia de succión disminuirá.

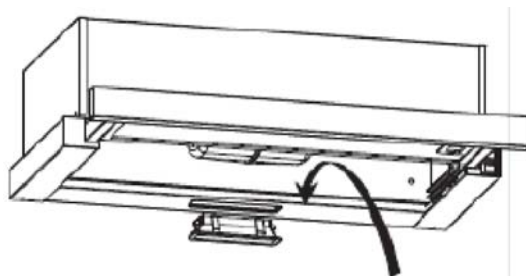
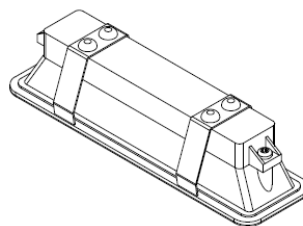
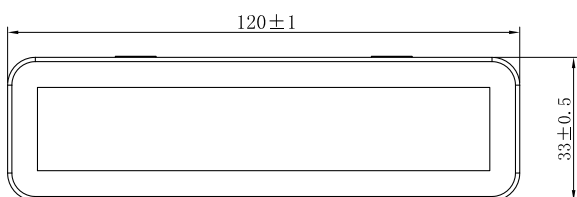
SUSTITUCIÓN DE LA BOMBILLA

Importante:



- ✧ La bombilla debe cambiarla el fabricante, su agente de servicio o personas con una cualificación similar.
- ✧ Apague siempre el suministro de electricidad antes de realizar cualquier operación en el aparato. Cuando manipule la bombilla, asegúrese de que esté completamente fría antes de cualquier contacto directo con las manos.
- ✧ Cuando manipule los globos, sosténgalos con un paño o guantes para asegurar que la transpiración no entre en contacto con el globo, ya que esto puede reducir la vida útil del globo.

- (1) Apague el aparato y desenchúfelo.
 - (2) Deslice la parte frontal de la campana extractora.
 - (3) Primero, debe extraerse el filtro al. Pulse el botón de bloqueo y tire hacia abajo.
 - (4) Coloque una bombilla con el mismo tipo de luz: 110-240 V ~ 50 Hz, MÁX. 2 W LED
- El código ILCOS D para esta lámpara es: DBS-2/65-H-120/33.
 - Potencia máxima: 2 W
 - Rango de voltaje: 110-240 V CA
 - Medidas:



PROTECCIÓN DEL MEDIO AMBIENTE:



Este electrodoméstico está certificado conforme a la Directiva Europea 2012/19/UE sobre residuos de aparatos eléctricos y electrónicos (RAEE) y regulaciones de 2013. Los dispositivos RAEE contienen sustancias contaminantes (que pueden tener consecuencias negativas para el medio ambiente) y componentes básicos (que pueden reutilizarse). Es importante que dichos dispositivos estén sujetos a tratamientos específicos para eliminar y desechar correctamente todos los contaminantes y recuperar todos los materiales. Cada individuo puede desempeñar un papel importante a la hora de garantizar que los dispositivos RAEE no se conviertan en un problema medioambiental; para ello, es fundamental seguir algunas reglas básicas:

- los dispositivos RAEE no deben tratarse como residuos domésticos;
- los dispositivos RAEE deben llevarse a los puntos de recogida específicos gestionados por el ayuntamiento o por una empresa registrada.

En muchos países, puede haber disponible un servicio de recogida a domicilio de los RAEE de gran tamaño. Cuando se compra un nuevo aparato, el viejo puede entregarse al vendedor, que debe adquirirlo gratuitamente siempre que el aparato sea de tipo equivalente y tenga las mismas funciones que el que se ha adquirido.

NOTA:

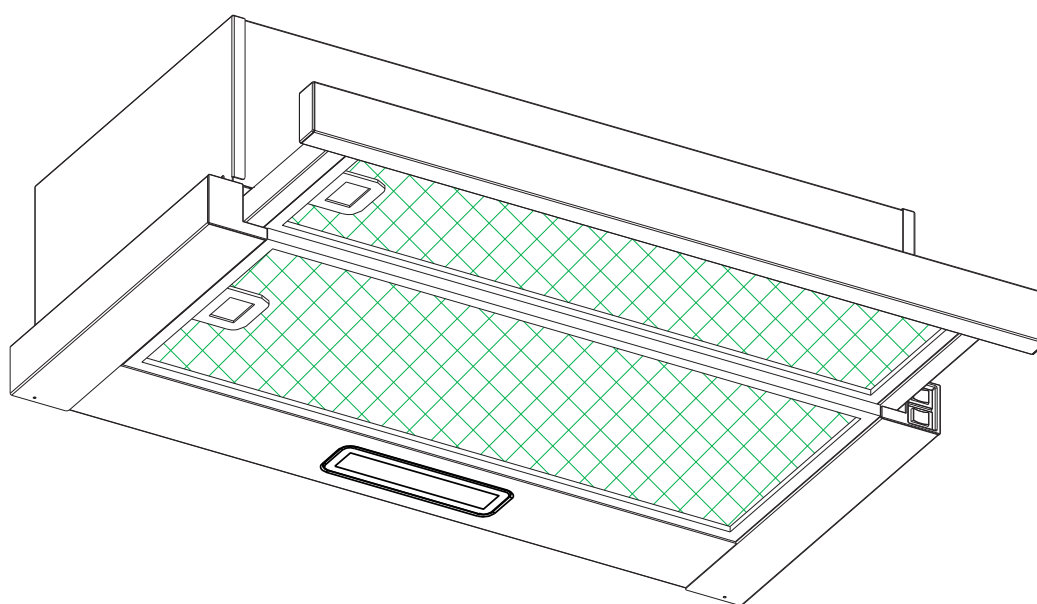
A continuación se muestra cómo reducir el impacto ambiental total (por ejemplo, mediante el uso de energía) del proceso de cocción.

- (1) Instale la campana extractora en un lugar apropiado donde haya una ventilación eficiente.
- (2) Limpie la campana extractora regularmente para no bloquear las vías de salida del aire.
- (3) Recuerde apagar la luz de la campana extractora después de cocinar.
- (4) Recuerde apagar la campana extractora después de cocinar.

INFORMACIÓN PARA EL DESMONTAJE

No desmonte el aparato de manera diferente a la mostrada en el manual de instrucciones. El aparato no puede ser desmontado por el usuario. Al final de su vida útil, el electrodoméstico no se debe tirar con la basura doméstica. Consulte con su recolector de desechos o autoridad local para obtener consejos de reciclaje.

Páraelszívó Kezelési útmutató



Tartalom

1	Biztonsági utasítások
2	Beszereles
3	A páraelszívó üzembe helyezése
4	Hibaelhárítás
5	Karbantartás és tisztítás
6	Környezetvédelem

BIZTONSÁGI UTASÍTÁSOK

Ez az útmutató a páraelszívó szakszerű beszerelését és kezelését ismerteti, kérjük, gondosan olvassa el, mielőtt a készüléket használatba venné – még akkor is, ha ismeri a terméket. Tartsa az útmutatót biztonságos helyen, hogy később bármikor elővehesse.

Tiltások:

- Soha ne használja a páraelszívót a szűrők nélkül vagy túlságosan zsíros szűrőkkel!
- Ne szerelje magasított grillsütővel rendelkező tűzhely fölé.
- Használat közben ne hagyja felügyelet nélkül a serpenyőket, mert a forró olaj vagy zsír tüzet okozhat.
- Ne hagyjon nyílt lángot a páraelszívó alatt.



- Ha a páraelszívó megsérül, ne használja.
- Ne flambírozzon a páraelszívó alatt.
- Vigyázat: A hozzáférhető részek felforrósodhatnak, amikor főzőberendezésekkel használják őket.
- A minimális távolság a tűzhelyen elhelyezett főzőedények és a páraelszívó-berendezés legalacsonyabb pontja között. (Ha a páraelszívó gáztűzhely felett található, ennek a távolságnak legalább 65 cm-nek kell lennie.)
- Levegőt tilos olyan kürtőn keresztül kiengedni, amelyet gázzal vagy más üzemanyaggal működő készülékek füstjének elvezetésére használnak.



Előírások:

- Fontos! Karbantartáskor (például az égő kicserélésekor) és az üzembe állításkor mindig kapcsolja le az elektromos hálózatot.
- A páraelszívót az üzembe helyezési útmutatónak megfelelően, a helyigény felmérését követően szerelje be.
- A beszerelési munkákat hozzáértő személy vagy képzett villanyszerelő végezze.
- Gondoskodjon a szükségtelenné vált csomagolóanyag megfelelő elhelyezéséről. Gyermekekre veszélyes.
- Figyeljen a páraelszívó belsejében lévő éles szélékre – különösen a beszerelés és a tisztítás során.
- Ha a páraelszívó gázkészülék felett van elhelyezve, a főzőlapon lévő főzőedények tartófelülete és a páraelszívó legalsó része közötti minimális távolságnak kell lennie:
Gáztűzhely esetén: 75 cm
Elektromos tűzhely esetén: 65 cm
Szén- vagy olajtűzhely esetén: 75 cm
- Ügyeljen arra, hogy a csővezeték ne hajlítsa meg 90 foknál élesebb szögben, mert ez ronthatja a páraelszívó hatékonyságát.
- Figyelem: Ha az eszköz vagy a csavarok rögzítése nem az útmutató szerint történik, fennáll az áramütés veszélye.

Előírások:

- Ha gáztűzhelyen főz, mindig tegyen fedőt az edényekre.
- Elszívó üzemmódban a helyiség levegőjét a páraelszívó elszívja. Kérjük, gondoskodjon a megfelelő szellőzésről. A páraelszívó a szagokat távolítja el a szobából, a gőzt nem.
- A páraelszívó csak háztartási használatra szolgál.



- Ha a tápkábel megsérül, a kockázatok elkerülése végett a gyártó által megadott márkaszerviznek vagy megfelelően képzett szakembernek kell gondoskodnia a cseréjéről.
- A készüléket 8 év fölötti gyermekek, csökkent fizikai, érzékszervi és mentális képességekkel rendelkező, illetve kellő tapasztalattal nem rendelkező személyek csak felügyelet mellett, illetve akkor használhatják, ha már rendelkeznek a készülék biztonságos használatára és a kockázatokra vonatkozó tudással. Gyermekek ne játszanak a készülékkel. A tisztítást és a karbantartást gyermekek nem végezhetik felügyelet nélkül.



- **Figyelem:** Mielőtt hozzáférne a csatlakozóvégekhez, az összes betápláló áramkört le kell csatlakoztatni.

Előírások:

- **Vigyázat:** A készülék és a hozzáférhető részei felforrósodhatnak használat közben. Ne nyúljon a felmelegedő részekhez. 8 évesnél fiatalabb gyermekek csak akkor menjenek a készülék közelébe, ha folyamatos felügyelet alatt állnak.
- Ha egyszerre használja a páraelszívót és a tűzhelyet (legyen az gáztűzelésű vagy másmilyen), megfelelően szellőzzön a helyiség.
- Tűzveszély áll fenn, ha nem az útmutatónak megfelelően végzik a tisztítást.
- A levegő kivezetését az előírásoknak megfelelően kell elvégezni.
- Időről időre tisztítsa meg a készüléket a **KARBANTARTÁS** fejezetben megadott módon.
- Biztonsági okokból csak az útmutatóban ajánlott méretű rögzítő- vagy szerelőcsavart használja.
- A tisztítás módjával és gyakoriságával kapcsolatban tekintse át az útmutató karbantartásról és tisztításról szóló fejezetét.
- A tisztítást és a karbantartást gyermekek nem végezhetik felügyelet nélkül.
- Amikor a páraelszívó és a nem villanyárammal működő berendezések egyidejűleg vannak használatban, akkor a helyiségben a negatív nyomás nem haladhatja meg a 4 Pa-t (4 x 10⁻⁵ bar).
- **Figyelem:** Tűzveszély: ne tároljon semmilyen tárgyat a főzőlap felületén.
- Gőztisztító nem használható.
- Tűz esetén SOHA ne próbálja azt vízzel oltani. Kapcsolja ki a készüléket, majd pl. egy edényfedővel vagy tűzálló takaróval fojtsa el a tüzet.

BESZERELÉS (KÜLSŐ KIVEZETŐNYÍLÁSRA)

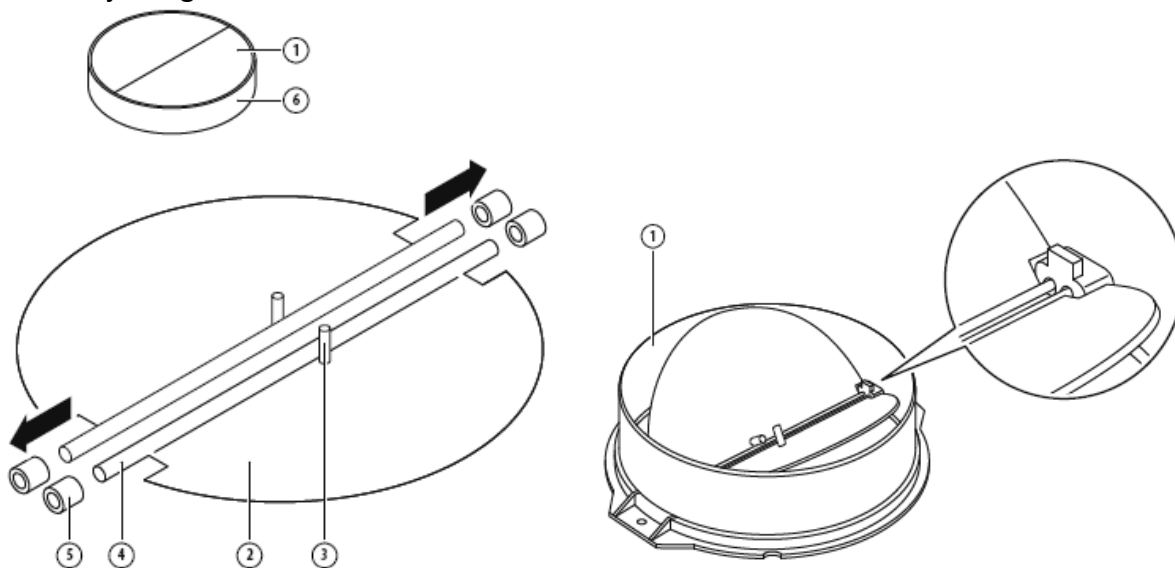
A SZELLŐZTETŐ CSAPPANTYÚ FELSZERELÉSE

*Az opcionális tartozék csak egyes modellekhez tartozik.

Ha a páraelszívó nem rendelkezik beépített pillangószeleppel 1, akkor a félelemeket a burkolatra kell szerelnie. A képek csak egy példát mutatnak a pillangószelep felszerelésére, a kivezetés a különböző modellek és konfigurációk szerint eltérő lehet.

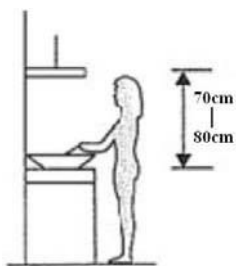
Az 1. pillangószelep beszereléséhez:

- Szerelje fel a 2. félelemeket a 6. burkolatra
- a csapot 3 felülre kell igazítani;
- a tengelyt 4 a burkolaton található furatokba 5 kell behelyezni;
- ismételje meg ezeket a műveleteket a másik félelemen is.

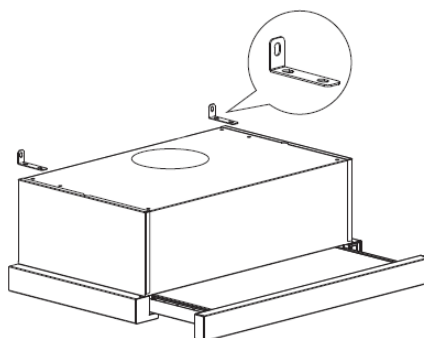


BESZERELÉS (falra szerelés)

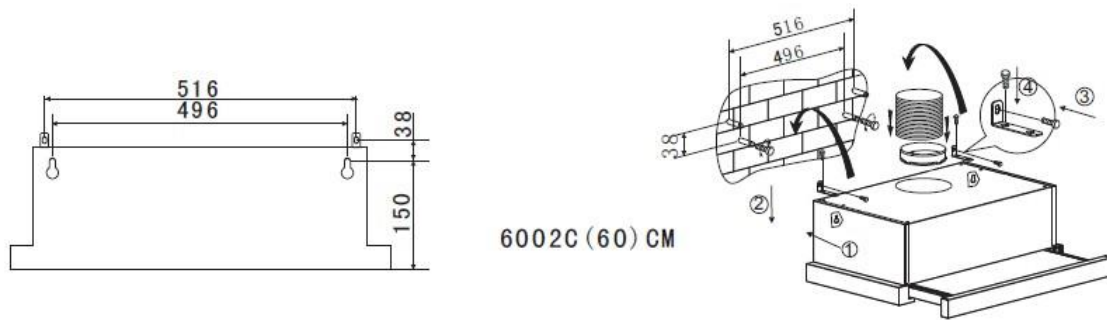
1. Határozza meg a páraelszívót rögzítő furatok helyét.



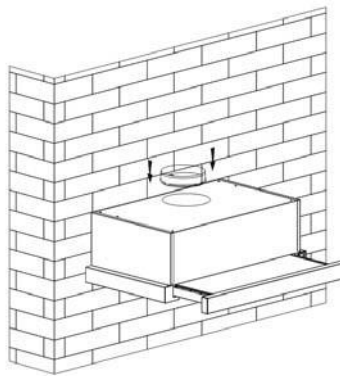
2. Szerelje fel az L-alakú szerelőkonzolt a páraelszívó tetejére két csavarral (4 mm x 10 mm).



3. A páraelszívót 4 csavarral (4 mm x 30 mm) és fali dugaszokkal kell a falra szerelni. A páraelszívót a páraelszívó hátulján lévő 2 csavar (4 mm x 30 mm) és a fali dugaszok segítségével szerelje a falra. Aztán szerelje a páraelszívót a falra a 2 csavar (4 mm x 30 mm) és a fali dugaszok segítségével az L-alakú szerelőkonzolon keresztül.

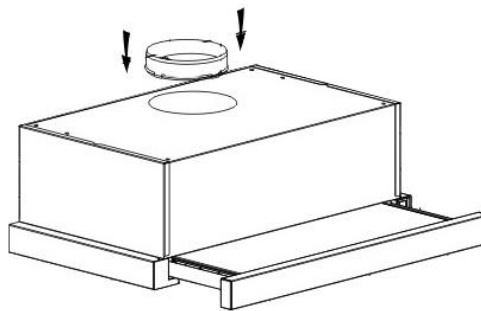


4. Rögzítse az egyutas szelepet a páraelszívó kivezetőnyílásához.

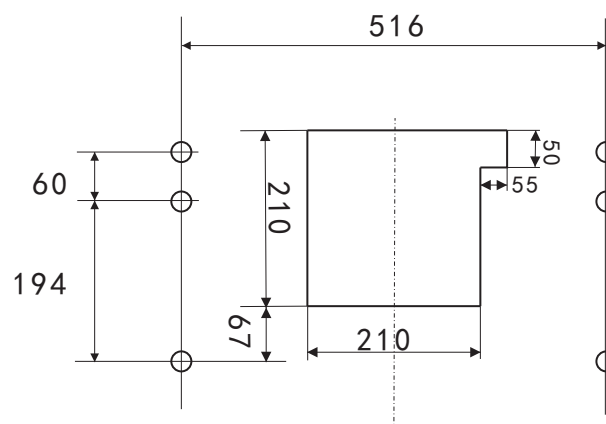


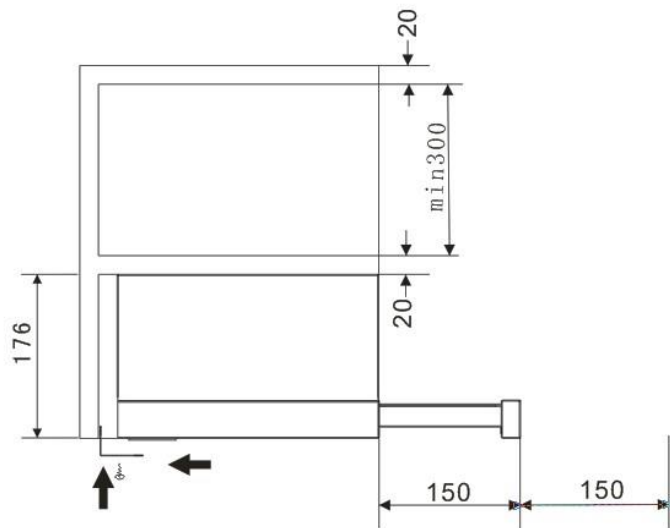
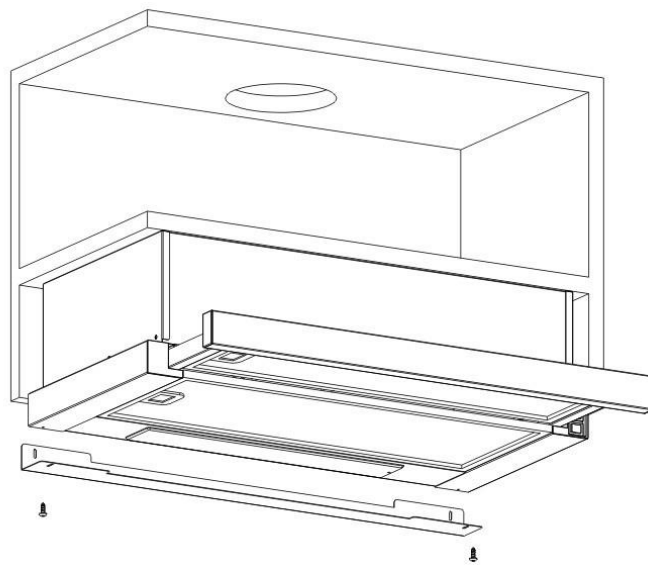
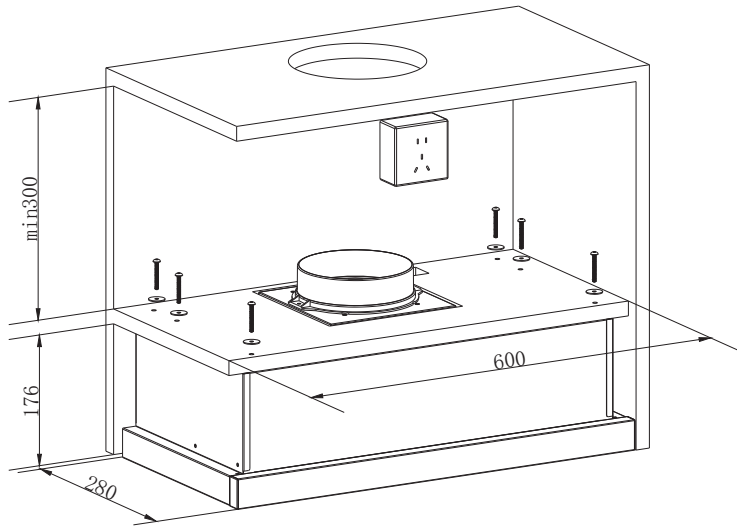
BESZERELÉS (szekrénybe szerelés)

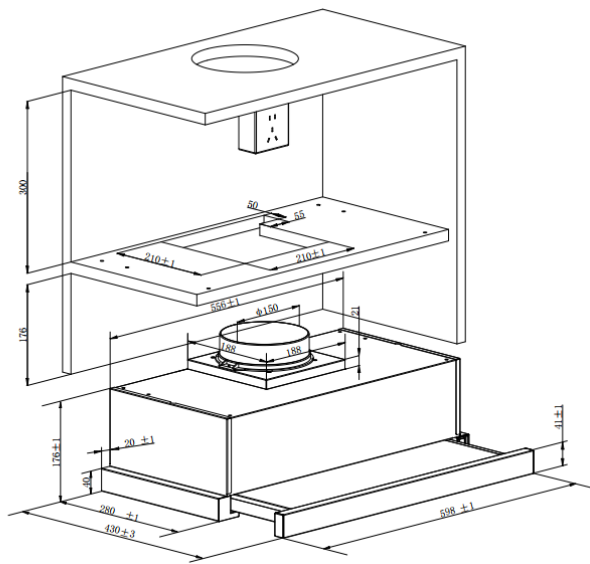
1. Rögzítse az egyutas szelepet a páraelszívó kivezetőnyílásához.



2. A páraelszívót 6 csavar (4 x 35 mm) és fali alátétek segítségével szerelheti szekrénybe.








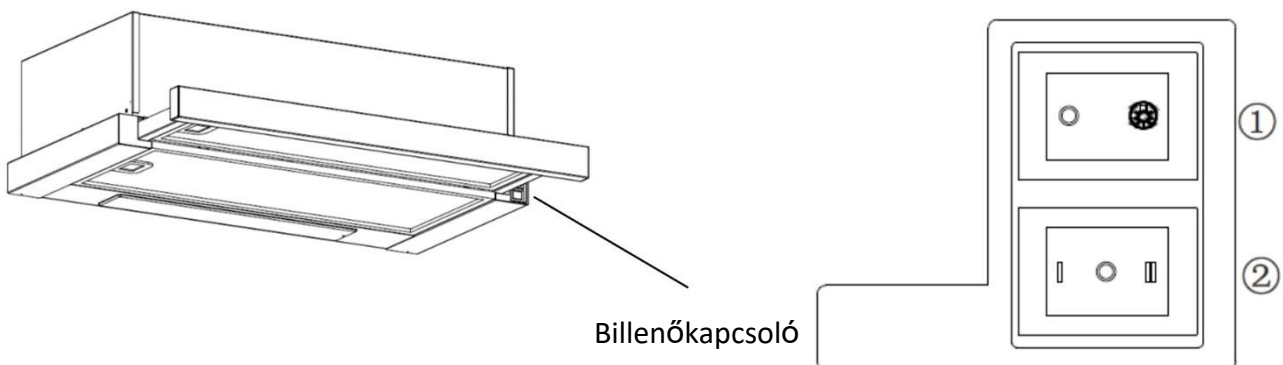
Ha a fal és a páraelszívó között rés van, akkor a páraelszívó aljára szerelheti az L-alakú szerelőkonzolt két csavar (3 x 12 mm) segítségével.

Az L-alakú szerelőkonzol felszerelése nem kötelező. Megjegyzés: A hosszabbítócső nem a termékkel szállított csomag része.

<p>FIGYELEM:</p> 	<ul style="list-style-type: none"> ➤ Biztonsági okokból kérjük, hogy csak a jelen használati utasításban ajánlott méretű rögzítő- vagy szerelőcsavarokat használja. ➤ Ha a csavarokat vagy a rögzítőszervezetet nem az itt közölt utasításoknak megfelelően szerelik fel, az elektromos veszélyeket okozhat.
--	--

A páraelszívó használata

Billenőkapcsoló



1. Illessze a tápkábelvéget az aljzatba.
2. Ha az ① kapcsolót lenyomja, akkor a lámpa bekapcsol; ha az ① kapcsolót „0” állásba billenti, akkor a lámpa kikapcsol.
3. Ha a ② kapcsolót „I, II” állásba kapcsolja, a motor „alacsony, magas” dupla fordulatszámom üzemel, ha „0” állásba kapcsolja, a motor kikapcsol.
4. Az első panel kihúzásakor bekapcsol a készülék. Annak visszatolásakor automatikusan kikapcsol.

HIBAELHÁRÍTÁS

Hiba	Lehetséges ok	Megoldás
A lámpa világít, de a motor nem működik	A ventilátor kapcsolóját lekapcsolták	Válassza ki a ventilátorkapcsoló állását.
	A ventilátorkapcsoló meghibásodott	Forduljon a szervizközponthoz.
	A motor meghibásodott	Forduljon a szervizközponthoz.
A világítás nem működik, a motor nem kapcsol be	A burkolati biztosítékok kiégtek	Állítsa vissza/cserélje ki a biztosítékokat.
	A tápkábel kilazult vagy levált	Rögzítse vissza a kábelt az aljzathoz Kapcsolja be az aljzatot
Olajszivárgás	Az egyutas szelep és a kivezetőnyílás nincs megfelelően szigetelve	Vegye le az egyutas szelepet és szigetelje be.
	Szivárgás a kürtőcsatlakozásból és a burkolatból	Vegye le a kürtőt és szigetelje be.
A lámpák nem működnek	Törött/meghibásodott lámpabúrák	Cserélje ki a búrákat az utasítás szerint.
Elégtelen beszívás	A páraelszívó és a tűzhely közötti távolság túl nagy	Helyezze át a páraelszívót megfelelő távolságra.
A páraelszívó megdőlt	A rögzítőcsavar nincs kellőképp megfeszítve	Húzza meg a kilazult csavart és állítsa vízszintesbe.



MEGJEGYZÉS:

A készülék bármilyen elektromos javításának meg kell felelnie a helyi, állami és szövetségi törvényeknek. Kérjük, ha bármilyen kétség merülne fel, forduljon a szervizközponthoz, mielőtt a fentiek bármelyikét végrehajtaná. A készülék felnyitásakor mindig válassza le a készüléket az áramforrásról.

KARBANTARTÁS ÉS TISZTÍTÁS

Vigyázat:

- Karbantartási vagy tisztítási műveletek előtt a páraelszívót le kell csatlakoztatni az elektromos áramellátásról. Ügyeljen arra, hogy a páraelszívó a fali aljzatnál ki legyen kapcsolva és a csatlakozóvég le legyen választva.
- A külső felület megkarcolódhatnak és súrlódástól megsérülhetnek, ezért tartsa be a tisztítási utasításokat, hogy a károsodás nélkül a lehető legjobb eredményt érje el.



ÁLTALÁNOS

Tisztítás és karbantartás előtt meg kell várni, hogy a készülék lehűljön, különösen tisztításkor. A felületeken lúgos vagy savas anyagok (citromlé, ecet stb.) nem maradhatnak.

ROZSDAMENTES ACÉL

A rozsdamentes acélt rendszeresen (pl. hetente) kell tisztítani a hosszú várható élettartam biztosítása érdekében. Törölje szárazra egy tiszta, puha ruhával. Speciális, rozsdamentes acél felületek tisztítására szolgáló folyadék használata ajánlott.

MEGJEGYZÉS:

Ügyeljen arra, hogy a törléskor a rozsdamentes acél szálirányát kövesse, hogy ne keletkezzenek haránt irányú karcok.

A VEZÉRLŐPANEL FELÜLETE

A beépített vezérlőpanel szappanos vízzel tisztítható. Ügyeljen arra, hogy a tisztításhoz használt törülőkendő tiszta és száraz legyen. Száraz és puha törülőkendővel távolítsa el a tisztítás után hátramaradt felesleges nedvességet.

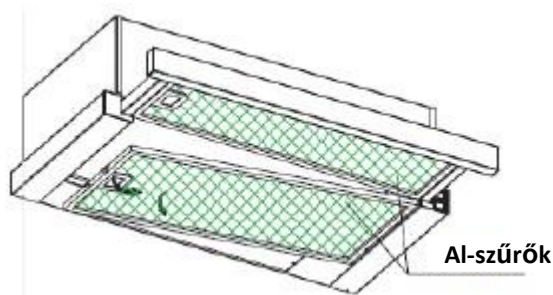
Fontos

Semleges kémhatású tisztítószereket használjon, és kerülje az agresszív vegyi anyagokat, erős háztartási tisztítószereket vagy a dörzsölőanyagokat tartalmazó termékeket, mivel ez hatással lehet a készülék megjelenésére, és eltávolíthatja a vezérlőpanelen lévő feliratokat, továbbá a gyártói jótállás érvénytelenné válásához vezethet.

ZSÍRSZŰRŐK

A zsírszűrőket kézzel kell kitisztítani. Áztassa a szűrőket körülbelül 3 percig zsírolószerves vízbe, majd finoman dörzsölje át őket egy puha kefével. Ne fejtse ki túl nagy nyomást, nehogy kárt okozzon bennük. (Hagyja száradni a szűrőket közvetlen napfénytől távol tartva.)

A szűrőket edényektől és konyhai eszközöktől elkülönítve kell mosni. Nem ajánlatos öblítőszert használni.



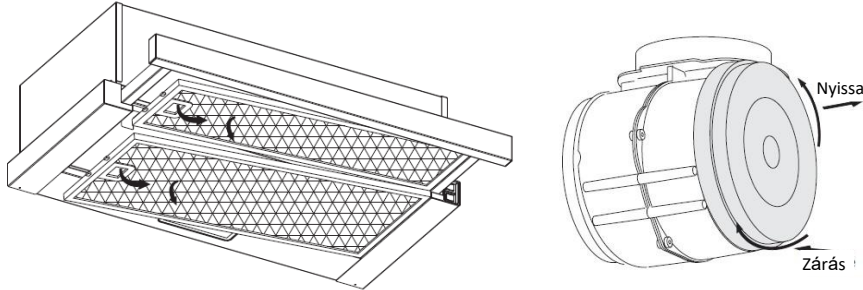
ZSÍRSZŰRŐK BESZERELÉSE

- A szűrők beszereléséhez az alábbi négy lépést kövesse.
- Állítsa a szűrőt a páraelszívó hátulján lévő foglalatokba.
- Nyomja meg a szűrő szárán lévő gombot.
- Engedje el a fogantyút, amikor a szűrő a helyére került.
- Ismétlje meg a fenti lépéseket az összes szűrőn.

AKTÍVSZÉN-SZŰRŐ- nem tartozék

Az aktívszén-szűrő elnyeli a szagokat. Általánosságban az aktívszén-szűrőt három-hat havonta kell cserélni a főzési szokásoktól függően. Az aktívszén-szűrő beszerelése az alábbiak szerint történik.


- (1) Csúsztassa el a páraelszívó elülső részét.
- (2) Először az Al-szűrőt kell levenni. Nyomja meg a zárat, és húzza lefelé.
- (3) Vegye ki az aktívszén-szűrőt az óramutató járásával ellentétes irányba történő elforgatással.
- (4) Cserélje ki az új aktívszén-szűrőre.



MEGJEGYZÉS:

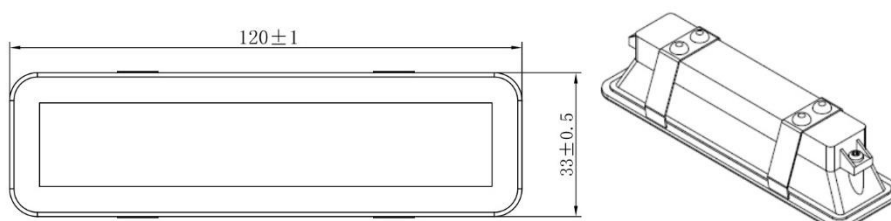
- Bizonyosodjon meg róla, hogy a szűrő biztosan zárva van-e. Máskülönben kilazulhat és kárt okozhat a készülékben.
- Amikor az aktív szén-szűrő csatlakoztatva van, csökken a szívóerő.

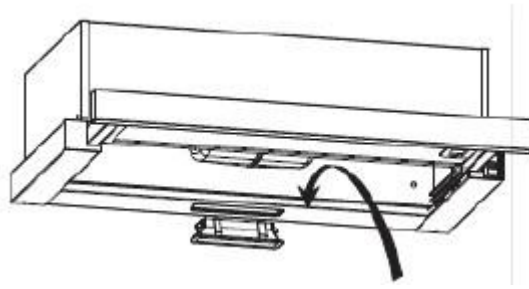
IZZÓCSERE

<p>Fontos:</p> 	<ul style="list-style-type: none">✧ Az izzót a gyártónak, szerviznek vagy hasonlóképp képzett személynek kell kicserélnie.✧ A készüléken bármilyen művelet megkezdése előtt mindig kapcsolja le az elektromos áramellátást. Az izzó kezelésekor ügyeljen arra, hogy az izzó teljesen lehűljön, mielőtt kézzel hozzáérne.✧ Az izzó megérintéséhez ruhát vagy kesztyűt használjon, hogy ne kerüljön az izzóra verejtek, mert az csökkentheti az élettartamát.
--	---

- (1) Kapcsolja ki a készüléket, és húzza ki a konnektorból.
- (2) Csúsztassa el a páraelszívó elülső részét.
- (3) Először az Al-szűrőt kell levenni. Nyomja meg a zárat, és húzza lefelé.
- (4) Cserélje ki ugyanolyan típusú izzóra. 110-240 V~50 Hz, MAX. 2 W LED

- ILCOS D kód ehhez a lámpához: DBS-2/65-H-120/33
- Max. teljesítmény: 2 W
- Feszültségtartomány: AC 110-240 V
- Méretek:





KÖRNYEZETVÉDELEM:



Jelen eszköz az Európai Parlament és Tanács 2012/19/EU Az elektromos és elektronikus berendezések hulladékairól szóló irányelvnek (WEEE) való megfelelés alapján került felcímkezésre. Az elektromos és elektronikus berendezések szennyező hatású (a környezetre esetlegesen káros) anyagokat és (újrahasznosítható) nyersanyagokat is tartalmazhatnak. A szennyező anyagok eltávolítása és az anyagok újrahasznosítása érdekében fontos, hogy az elektromos és elektronikus berendezéseket megfelelően kezeljék. A magánszemélyeknek ebben fontos szerepe lehet, amikor megbizonyosodnak róla, hogy az elektronikai hulladékok nem válnak környezetvédelmi problémává; létfontosságú néhány alapvető szabály betartása:

Az elektromos és elektronikus berendezések anyagai nem kezelhetők háztartási hulladékként; az elektromos és elektronikus berendezéseket a helyi önkormányzat vagy egy nyilvántartott vállalat által kezelt gyűjtőponton szükséges ártalmatlanítani.

A nagyméretű elektromos és elektronikus berendezések esetén sok országban háztartási hulladékgyűjtő pontok állnak rendelkezésre. Új berendezés vásárlásakor az ilyen hulladékot ingyen vissza lehet vinni a kereskedőhöz, mennyiben a régi berendezés ugyanolyan típusú, mint az új és azzal megegyező funkciójú.

MEGJEGYZÉS:

A következő rész azt ismerteti, hogy csökkenthető a környezetre gyakorolt hatás (a főzési folyamat energiaigénye).

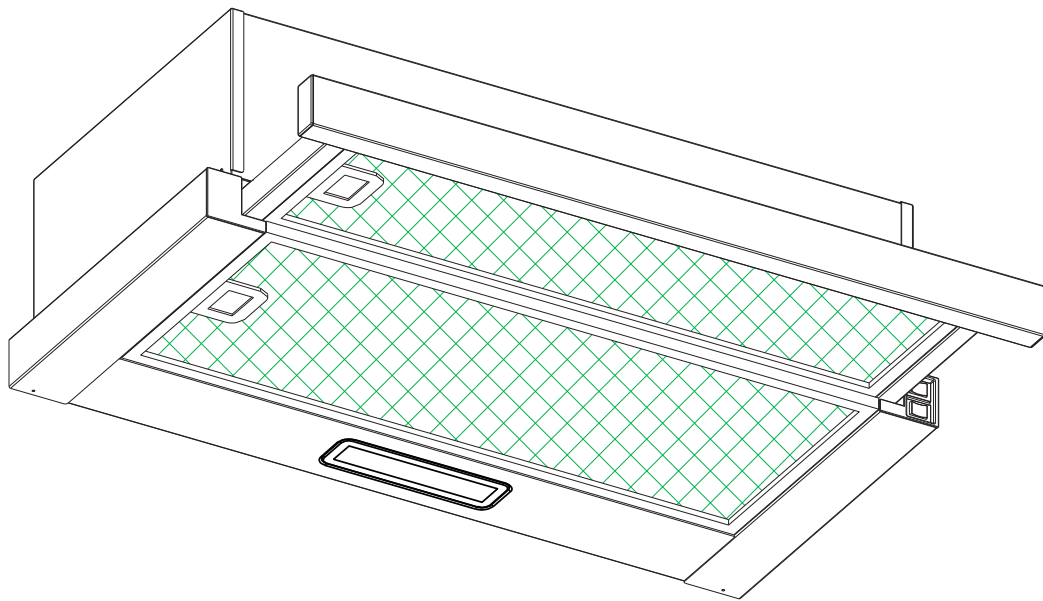
- (1) Olyan helyre szerelje a páraelszívót, ahol biztosított a megfelelő szellőzés.
- (2) Rendszeresen tisztítsa a páraelszívót, így megakadályozhatja a szellőzőnyílások eltömődését.
- (3) Ne felejtse el kikapcsolni a páraelszívó világítását használat után.
- (4) Kapcsolja ki a páraelszívót használat után.

A SZÉTSZERELÉSHEZ SZÜKSÉGES INFORMÁCIÓK

Csak a használati útmutatónak megfelelően szerelje szét a készüléket. A felhasználó nem szerelheti szét a készüléket. A használhatatlanná vált készüléket ne a háztartási hulladék közé dobja. Vegye fel a kapcsolatot a helyi hatóságokkal a megőrzési vagy újrahasznosítási tanácsokért.

Afzuigkap

Gebruiksaanwijzing



Inhoud

1	Veiligheidsaanwijzingen
2	Installatie
3	In gebruik nemen van uw afzuigkap
4	Probleemoplossing
5	Onderhoud en reiniging
6	Milieubescherming

VEILIGHEIDSAANWIJZINGEN

In deze handleiding worden de juiste installatie en het juiste gebruik van uw afzuigkap uitgelegd. Lees deze handleiding aandachtig door voordat u het product in gebruik neemt, zelfs als u het product kent. De handleiding moet op een veilige plaats bewaard worden om later te kunnen raadplegen.

Nooit te doen:

- Gebruik de afzuigkap niet zonder de vetfilters of als de filters te vet zijn!
- Installeer niet boven een kooktoestel met een hoogstaande grill.
- Laat de pannen tijdens het gebruik niet onbeheerd achter, want oververhitte vetten of oliën kunnen in brand vliegen.
- Laat nooit open vlammen ontstaan onder de afzuigkap.



- Als de afzuigkap beschadigd is, gebruik deze dan niet.
- Flambeer nooit onder de afzuigkap.
- LET OP: Toegankelijke onderdelen kunnen heet worden bij gebruik met kooktoestellen.
- De minimale afstand tussen het steunvlak van de kookpotten op de kookplaat en het onderste gedeelte van de afzuigkap. (Wanneer de afzuigkap zich boven een gastoestel bevindt, moet deze afstand minstens 65 cm bedragen)
- De lucht mag niet worden afgevoerd naar een rookkanaal dat wordt gebruikt voor de afvoer van rookgassen van toestellen op gas of andere brandstoffen.



Altijd te doen:

- Belangrijk! Bij de installatie en het onderhoud, zoals het vervangen van de gloeilamp, moet de stroomvoorziening op het elektriciteitsnet altijd worden uitgeschakeld.
- De inbouw van de afzuigkap moet in overeenstemming met de installatie-instructies worden uitgevoerd en alle maten moeten in acht worden genomen.
- Alle installatiewerkzaamheden moeten worden uitgevoerd door een bevoegd persoon of een gekwalificeerde elektricien.
- Voer het verpakkingsmateriaal zorgvuldig af. Kinderen zijn er kwetsbaar voor.
- Let vooral bij de installatie en reiniging op de scherpe randen in de afzuigkap.
- Wanneer de afzuigkap zich boven een gastoestel bevindt, moet de minimale afstand tussen het steunvlak van de kookpotten op de kookplaat en het laagste gedeelte van de afzuigkap als volgt zijn:
Gasfornuizen: 75 cm
Elektrische kooktoestellen: 65 cm
Kookplaten voor kolen of voor olie: 75 cm
- Zorg ervoor dat het kanaal geen bochten heeft die scherper zijn dan 90 graden, omdat dit de efficiëntie van de afzuigkap vermindert.
- Waarschuwing: Het niet installeren van de schroeven of de bevestiging volgens deze instructies kan elektrische risico's met zich meebrengen.

Altijd te doen:

- Zet altijd deksels op potten en pannen bij het koken op een gasfornuis.
- Wanneer de afzuigmodus actief is, wordt lucht in de kamer verwijderd door de afzuigkap. Zorg ervoor dat de juiste ventilatiemaatregelen in acht worden genomen. De afzuigkap verwijdert geuren uit de ruimte, maar geen stoom.
- De afzuigkap is alleen voor huishoudelijk gebruik.



- Als het netsnoer beschadigd is, moet het worden vervangen door de fabrikant, zijn servicevertegenwoordiger of andere bevoegde personen om gevaarlijke situaties te voorkomen.
- Dit apparaat mag gebruikt worden door kinderen ouder dan 8 jaar en personen met een lichamelijke, zintuiglijke of verstandelijke beperking of gebrek aan ervaring en kennis als zij in de gaten gehouden worden of aanwijzingen hebben gekregen over hoe zij het apparaat op veilige wijze kunnen gebruiken en als zij de bijbehorende gevaren begrijpen. Kinderen mogen niet met het apparaat spelen. Reiniging en onderhoudswerkzaamheden mogen niet door kinderen uitgevoerd worden als zij niet onder toezicht staan.



- Waarschuwing: Voordat u zich toegang verschaft tot de klemmen, moeten alle voedingscircuits worden losgekoppeld.

Altijd te doen:

- Let op: Het toestel en de toegankelijke delen ervan kunnen tijdens het gebruik heet worden. Let op dat u de verwarmingselementen niet aanraakt. Kinderen jonger dan 8 jaar moeten buiten bereik van het apparaat blijven, tenzij ze onder permanent toezicht staan.
- De ruimte moet voldoende geventileerd zijn wanneer de afzuigkap tegelijk met toestellen op gas of andere brandstoffen wordt gebruikt.
- Er bestaat brandgevaar als de reiniging niet volgens de instructies wordt uitgevoerd.
- Er moet worden voldaan aan de voorschriften met betrekking tot de afvoer van lucht.
- Reinig uw toestel regelmatig volgens de aanwijzingen in het hoofdstuk ONDERHOUD.
- Gebruik om veiligheidsredenen alleen bevestigings- of montageschroeven van dezelfde grootte als in deze gebruiksaanwijzing worden aanbevolen.
- Voor de details over de reinigingsmethode en -frequentie verwijzen wij u naar het hoofdstuk over onderhoud en reiniging in de gebruiksaanwijzing.
- De reiniging en het onderhoud mogen niet worden uitgevoerd door kinderen zonder toezicht.
- Wanneer de afzuigkap en toestellen die met andere energie dan elektriciteit worden gevoed gelijktijdig in bedrijf zijn, mag de onderdruk in de ruimte niet meer dan 4 Pa (4×10^{-5} bar) bedragen.
- WAARSCHUWING: Brandgevaar: bewaar geen voorwerpen op de kookoppervlakken.
- Gebruik geen stoomreiniger.
- Probeer NOOIT een brand te blussen met water, maar schakel het apparaat uit en dek de vlam af met bijvoorbeeld een deksel of een branddeken.

INSTALLATIE (AFVOER NAAR BUITEN)

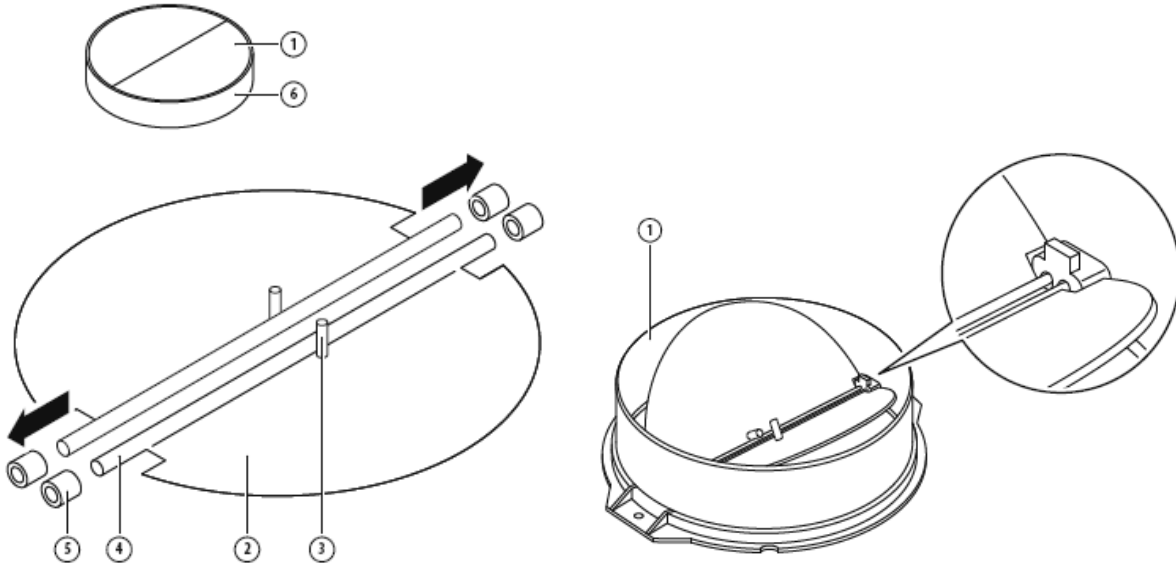
MONTAGE VAN DE V-KLEP

**Optionele accessoire die alleen bij sommige modellen wordt geleverd.*

Als de afzuigkap geen gemonteerde V-klep 1 heeft, moet u de halve delen op de behuizing monteren. De afbeeldingen laten alleen een voorbeeld zien van het monteren van de V-klep; de uitlaat kan verschillend zijn naargelang verschillende modellen en configuratie.

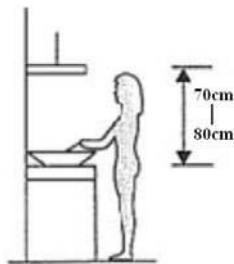
Om de V-klep 1 te monteren moet u het volgende doen:

- Monteer twee halve delen 2 in de behuizing 6
- een pen 3 moet naar boven gericht zijn;
- de as 4 moet in de gaten 5 op de behuizing worden geplaatst;
- herhaal alle bewerkingen voor het tweede halve deel

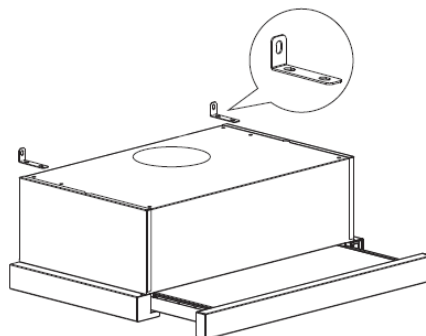


INSTALLATIE (wandmontage)

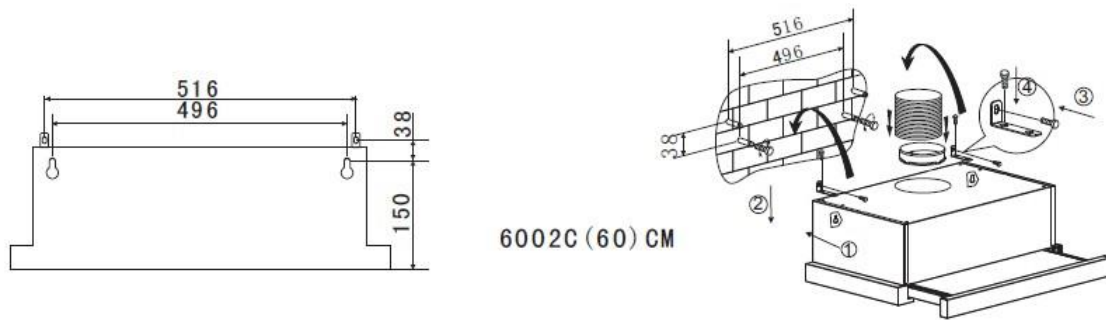
1. Bepaal de locatie van de gaten voor het bevestigen van de afzuigkap.



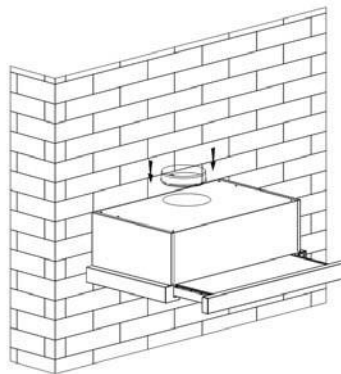
2. Installeer de L-vormige beugel aan de bovenkant van de kap met twee schroeven (4 mm x 10 mm)



- De afzuigkap is aan de muur gemonteerd met 4 schroeven (4mm x 30mm) en muurpluggen. Monteer de afzuigkap aan de muur aan de achterkant van de afzuigkap met 2 schroeven (4 mm x 30 mm) en muurpluggen. Bevestig vervolgens de afzuigkap aan de muur met 2 schroeven (4mm x 30mm) en muurpluggen door middel van de kleine L-vormige beugel.

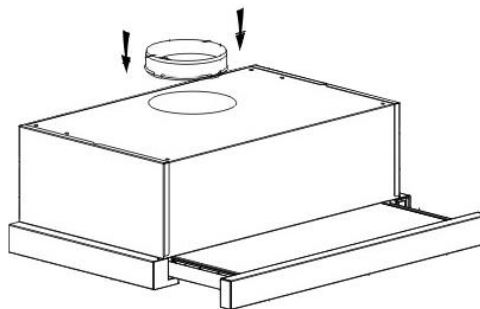


- Bevestig de eenrichtingsklep aan de luchtuitlaat van de afzuigkap.

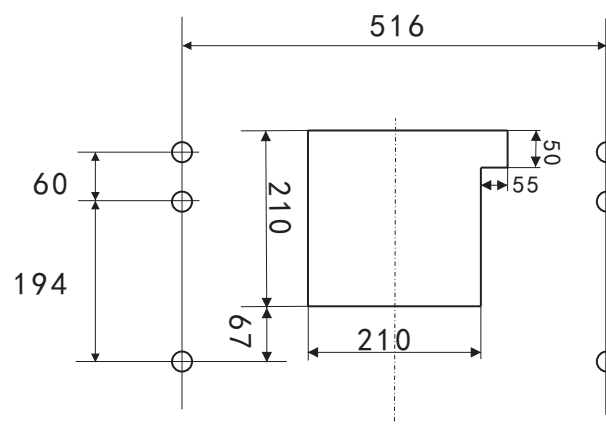


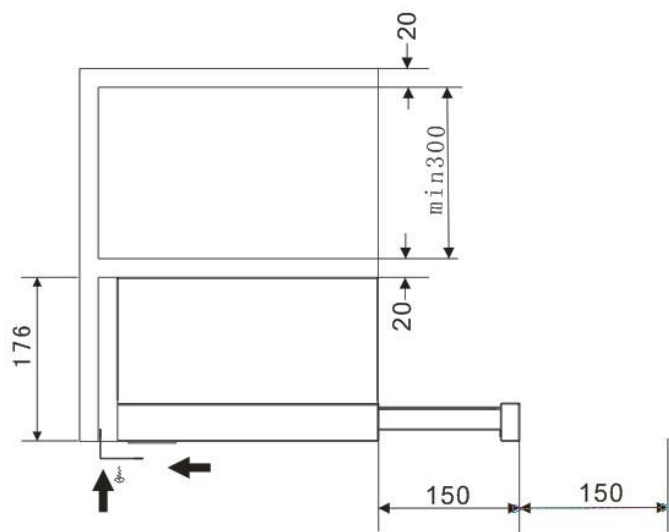
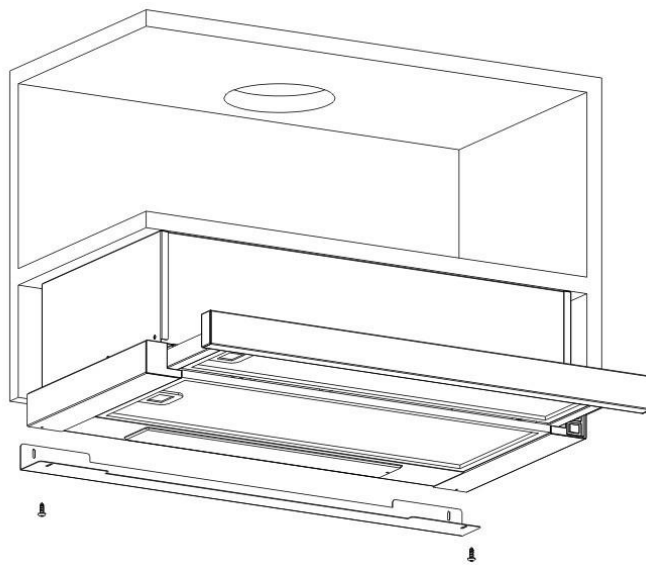
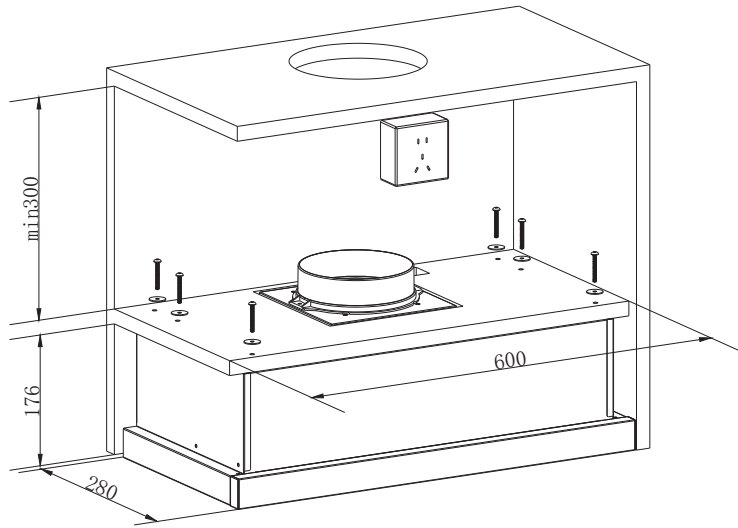
INSTALLATIE (kastmontage)

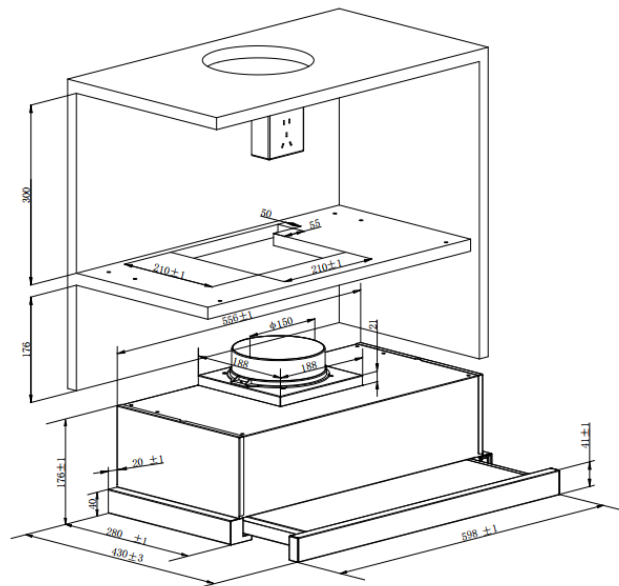
- Bevestig de eenrichtingsklep aan de luchtuitlaat van de afzuigkap.



- Monteer de afzuigkap op de kast met 6 schroeven (4x35mm) en platte sluitringen.








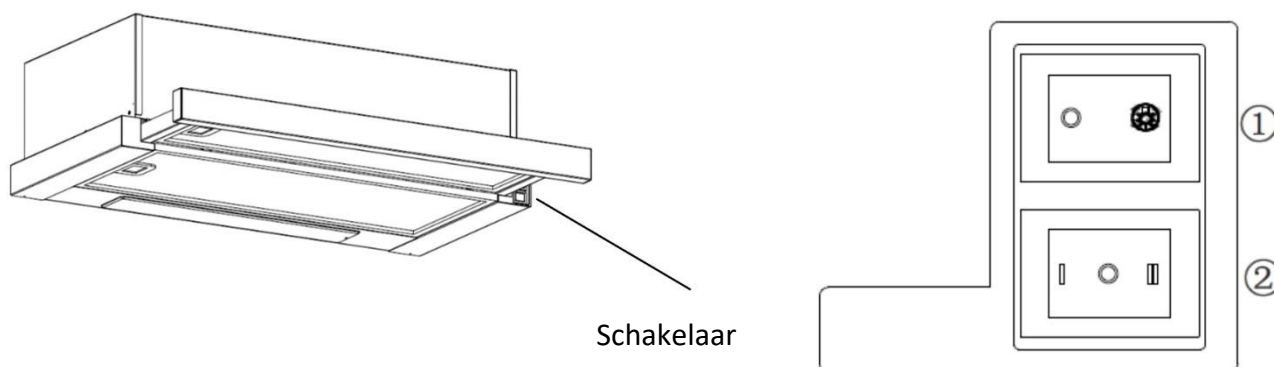
Als er ruimte is tussen de muur en de afzuigkap, kunt u de L-vormige beugel op de bodem van de afzuigkap bevestigen met twee schroeven (3 x 12 mm).

De montage van de L-vormige beugel is optioneel. Opmerking: De expansieleiding is niet inbegrepen in het product.

<p>WAARSCHUWING:</p> 	<ul style="list-style-type: none"> ➤ Gebruik om veiligheidsredenen alleen dezelfde maat bevestigings- of montageschroef die wordt aanbevolen in deze gebruiksaanwijzing. ➤ Het niet gebruiken van de schroeven of bevestigingsapparatuur in overeenstemming met deze instructies kan leiden tot elektrische gevaren.
--	--

Eerste gebruik van de afzuigkap

Schakelaar



1. Steek de stekker in het stopcontact.
2. Druk schakelaar ① naar de lamp gaat branden; druk schakelaar ① naar "0", de lamp gaat uit.
3. Druk schakelaar ② in "I, II", de motor staat op "laag, hoog" twee snelheden, druk op "0", de motor staat uit.
4. De stroom wordt aangesloten wanneer u het voorpaneel eruit trekt. Omgekeerd wordt de stroom automatisch uitgeschakeld.

PROBLEMEN OPLOSSEN

Storing	Mogelijke oorzaak	Oplossing
Licht aan, maar motor werkt niet	Ventilatorschakelaar uitgeschakeld	Selecteer een positie van de ventilatorschakelaar.
	Ventilatorschakelaar defect	Neem contact op met het servicecentrum.
	Motor is uitgevallen	Neem contact op met het servicecentrum.
Licht werkt niet, motor werkt niet	Zekeringen in huis afgegaan	Zekeringen resetten/vervangen.
	Stroomkabel los of losgekoppeld	Plaats het snoer terug in het stopcontact. Schakel het stopcontact in.
Lekkage van olie	Einrichtingsklep en de uitlaat zijn niet goed afgesloten	Neem de eenrichtingsklep en afdichting met afdichtmiddel naar beneden.
	Lekkage uit de aansluiting van rookkanaal en deksel	Neem het rookkanaal naar beneden en sluit af.
Verlichting werkt niet	Lampen gebroken/defect	Vervang de lampen volgens deze aanwijzingen.
Onvoldoende zuigkracht	De afstand tussen de afzuigkap en het gasfornuis is te groot.	Monteer de afzuigkap op de juiste afstand.
De afzuigkap kantelt	De bevestigingsschroef is niet vast genoeg	Draai de hangschroef vast en maak hem horizontaal.



OPMERKING:

Elektrische reparaties aan dit apparaat moeten voldoen aan uw lokale, provinciale en landelijke wetgeving. Neem contact op met het servicecentrum als u twijfels heeft voordat u een van de bovenstaande handelingen uitvoert. Haal de stekker altijd uit het stopcontact wanneer u het apparaat opent.

ONDERHOUD EN REINIGING

Let op:

- Voordat onderhoud of reiniging wordt uitgevoerd, moet de dampkap worden losgekoppeld van het elektriciteitsnet. Zorg ervoor dat de dampkap bij het stopcontact wordt uitgeschakeld en de stekker wordt uitgenomen.
- Externe oppervlakken zijn gevoelig voor krassen en schaafwonden, dus volg de reinigingsinstructies om een zo goed mogelijk resultaat te bereiken zonder schade.



ALGEMEEN

Reiniging en onderhoud moeten worden uitgevoerd als het apparaat koud is, met name bij het reinigen. Laat geen alkalische of zure stoffen (citroensap, azijn, enz.) op de oppervlakken achter.

ROESTVRIJ STAAL

Het roestvrij staal moet regelmatig (bijv. wekelijks) worden gereinigd om een lange levensduur te kunnen garanderen. Droog het af met een schone zachte doek. Er kan een speciale roestvrijstalen reinigingsvloeistof worden gebruikt.

OPMERKING:

Let bij het poetsen op de korrelgrootte voor roestvrij staal om te voorkomen dat er lelijke kraspatronen ontstaan.

OPPERVLAK BEDIENINGSPANEEL

Het inlegbedieningspaneel kan worden gereinigd met warm zeepwater. Zorg ervoor dat de doek schoon is en goed uitgewrongen voordat u het schoonmaakt. Gebruik een droge, zachte doek om het overtollige vocht te verwijderen.

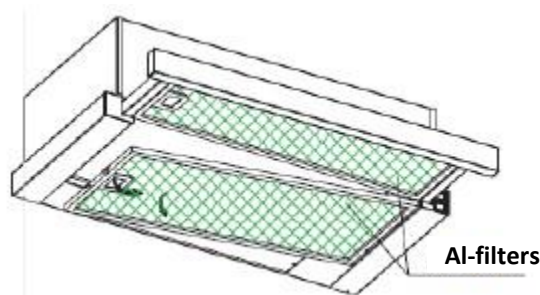
Belangrijk

Gebruik neutrale reinigingsmiddelen en vermijd het gebruik van agressieve reinigingschemicaliën, sterke huishoudelijke reinigingsmiddelen of producten die schuurmiddelen bevatten, aangezien dit het uiterlijk van het apparaat aantast, eventuele grafische afdrucken op het bedieningspaneel zal verwijderen en de garantie van de fabrikant ongeldig maakt.

VETGAASFILTERS

De gaasfilters kunnen met de hand worden gereinigd. Laat ze ongeveer 3 minuten weken in water met een vetoplossend reinigingsmiddel en borstel ze vervolgens voorzichtig af met een zachte borstel. Oefen niet teveel druk uit, om te voorkomen dat het beschadigd raakt. (Op natuurlijke wijze en niet in het directe zonlicht laten drogen)

Filters moeten apart van serviesgoed en keukengerei worden gewassen. Het is raadzaam om geen spoelmiddel te gebruiken.



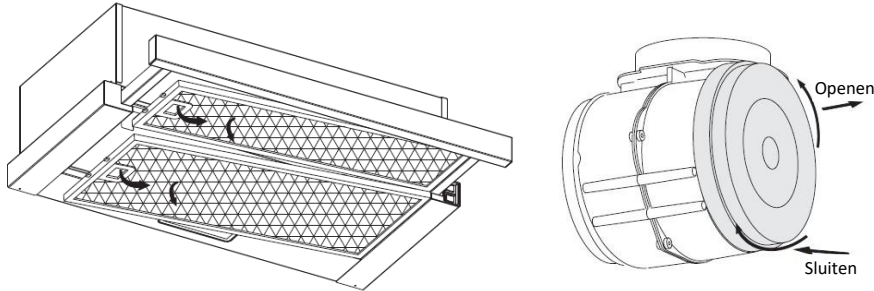
VETGAASFILTERS INSTALLEREN

- Voer de volgende vier stappen uit om filters te installeren.
- Hoek het filter in sleuven aan de achterkant van de kap.
- Druk op de knop op de handgreep van het filter.
- Laat de hendel los zodra het filter in een rustpositie past.
- Herhaal dit om alle filters te installeren.

KOOLSTOFFILTER - niet meegeleverd

Een actieve koolstoffilter kan worden gebruikt om geuren op te vangen. Normaal gesproken moet de actieve koolstoffilter na drie of zes maanden worden vervangen, afhankelijk van uw kookgewoonte. De installatieprocedure van het actief koolstoffilter is zoals hieronder beschreven.


- (1) Schuif het voorste deel van de afzuigkap.
- (2) Het al-filter moet eerst worden losgemaakt. Druk op de vergrendeling en trek deze naar beneden.
- (3) Verwijder het koolstoffilter door het koolstoffilter tegen de klok in te draaien.
- (4) Plaats het nieuwe koolstoffilter.



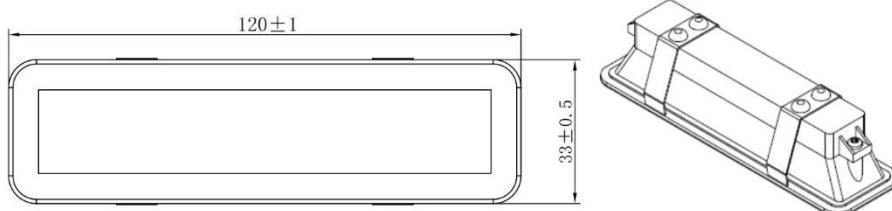
OPMERKING:

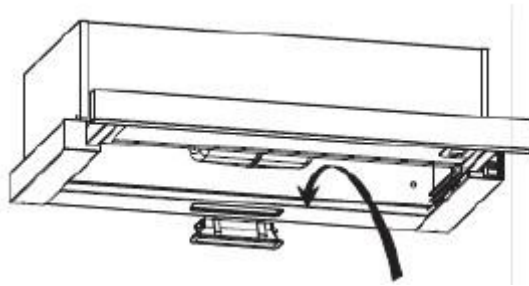
- Zorg ervoor dat het filter goed vergrendeld is. Anders kan het filter losraken en gevaarlijk zijn.
- Wanneer het actieve koolstoffilter is geplaatst, is de zuigkracht minder.

LAMP VERVANGEN

<p>Belangrijk:</p> 	<ul style="list-style-type: none">✧ De lamp moet door de fabrikant, zijn servicemedewerker of vergelijkbare gekwalificeerde personen worden vervangen:✧ Schakel de stroomtoevoer altijd uit voordat u werkzaamheden aan het apparaat verricht. Bij het hanteren van de lamp, zorg ervoor dat deze volledig is afgekoeld voor elk direct contact met de handen.✧ Houd lampen vast met een doek of handschoenen om ervoor te zorgen dat geen transpiratie op de lampen komt, omdat dit de levensduur van lampen kan verkorten.
--	--

- (1) Schakel het apparaat uit en trek de stekker uit het stopcontact.
- (2) Schuif het voorste deel van de afzuigkap.
- (3) Het al-filter moet eerst worden losgemaakt. Druk op de vergrendeling en trek deze naar beneden.
- (4) Vervangen door hetzelfde type lamp. 110-240V ~ 50Hz, MAX.2W LED
 - De ILCOS D-code voor deze lamp is: DBS-2/65-H-120/33.
 - Maximaal wattage: 2 W
 - Spanningsbereik: AC 110-240V
 - Afmetingen:





MILIEUBESCHERMING:



Dit apparaat is geëtiketteerd in overeenstemming met de Europese Richtlijn 2012/19/EU betreffende afgedankte elektrische en elektronische apparatuur (AEEA). Elektronische en elektrische apparaten bevatten zowel vervuilende stoffen (die schadelijk zijn voor het milieu) als basiselementen (die opnieuw kunnen worden gebruikt). Het is belangrijk dat de elektronische en elektrische apparaten specifieke behandelingen ondergaan om de vervuilende stoffen correct te verwijderen en als afval te verwerken en alle materialen terug te winnen. Personen kunnen een belangrijke rol spelen om ervoor te zorgen dat elektronische en elektrische apparaten niet in het milieu terecht komen. Hiervoor moeten enkele elementaire regels in acht worden genomen:

- afgedankte elektronische en elektrische apparaten mogen niet worden behandeld als gewoon huisvuil;
- afgedankte elektronische en elektrische apparaten moeten worden afgegeven bij speciale inzamelcentra die worden beheerd door de gemeente of een geregistreerd bedrijf.

In veel landen worden grote elektrische en elektronische apparaten aan huis afgehaald. Wanneer u een nieuw apparaat koopt, kunt u uw oude apparaat vaak inleveren bij de leverancier, die het gratis accepteert als eenmalige maatregel, op voorwaarde dat het apparaat van hetzelfde type is en dezelfde functies heeft als het aangeschafte apparaat.

OPMERKING:

Hieronder ziet u hoe u de totale milieubelasting (bijv. energieverbruik) van het kookproces kunt verminderen.

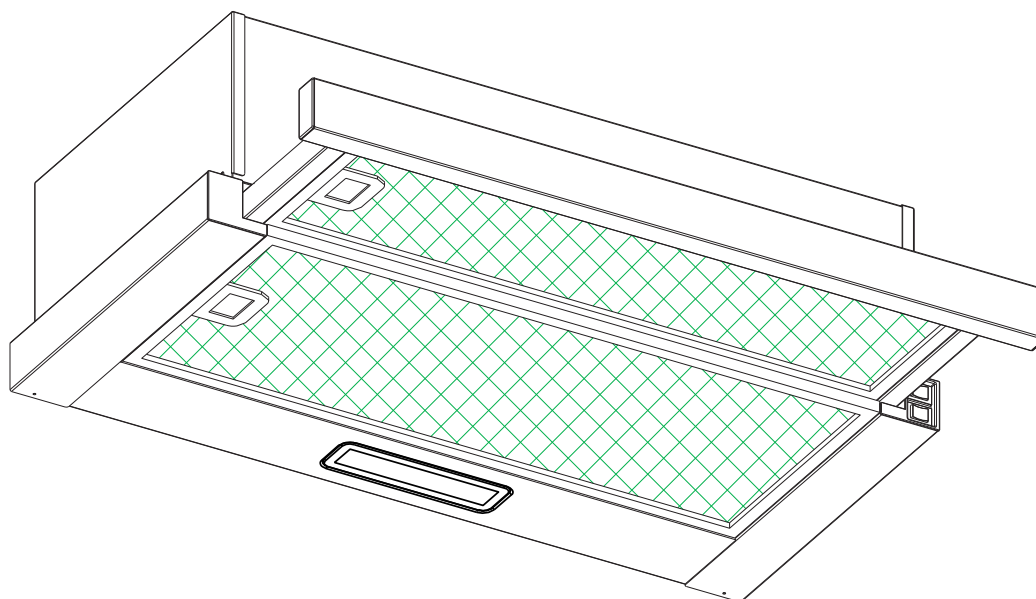
- (1) Installeer de afzuigkap op een geschikte plaats met efficiënte ventilatie.
- (2) Reinig de dampkap regelmatig om de luchtweg niet te doen verstopen.
- (3) Vergeet niet na het koken de verlichting van de afzuigkap uit te schakelen.
- (4) Vergeet niet de dampkap na het koken uit te schakelen.

INFORMATIE VOOR DEMONTAGE

Demonteer het apparaat niet op een manier die niet in de gebruiksaanwijzing staat vermeld. Het apparaat mag niet door de gebruiker zelf worden gedemonteerd. Aan het einde van de levensduur mag het apparaat niet met het huisvuil worden weggegooid. Neem contact op met het gemeentebestuur voor recyclingadvies.

Hotă de aragaz

Manual de instrucțiuni



Cuprins

1	Instrucțiuni de siguranță
2	Instalare
3	Începeți să folosiți hota de aragaz
4	Depanare
5	Întreținere și curățare
6	Protecția mediului

INSTRUCȚIUNI DE SIGURANȚĂ

Acest manual explică instalarea și utilizarea corectă a hotei aragazului dvs., vă rugăm să îl citiți cu atenție înainte de utilizare, chiar dacă sunteți familiarizat cu produsul. Manualul trebuie păstrat într-un loc sigur pentru consultări ulterioare.

Niciodată de făcut:

- Nu încercați să utilizați hota de aragaz fără filtrele de grăsime sau dacă filtrele sunt excesiv de unsuroase!
- Nu instalați deasupra unui aragaz cu grătar foarte înalt.
- Nu lăsați tigăile nesupravegheate în timpul utilizării, deoarece grăsimile sau uleiurile supraîncălzite ar putea lua foc.
- Nu lăsați niciodată flăcări deschise sub hota de aragaz.



- Dacă hota de aragaz este deteriorată, nu încercați să o utilizați.
- Nu flambați sub hota de aragaz.
- **ATENȚIE:** Piesele accesibile pot deveni fierbinți atunci când sunt folosite cu aparatură de gătit.
- Distanța minimă dintre suprafața de sprijin pentru vasele de gătit de pe plită și cea mai joasă parte a hotei de aragaz. (atunci când hota aragazului este situată deasupra unui aparat pe gaz, această distanță trebuie să fie de cel puțin 65 cm).
- Aerul nu trebuie evacuat într-un coș de fum care este utilizat pentru evacuarea fumului de la aparatele care ard gaz sau alți combustibili.



Întotdeauna de făcut:

- Important! Decuplați întotdeauna alimentarea cu curent în timpul montării și efectuării întreținerii, ca de exemplu la înlocuirea becului electric.
- Hota de aragaz trebuie instalată în conformitate cu instrucțiunile de instalare și toate măsurătorile trebuie respectate.
- Toate lucrările de instalare trebuie efectuate de o persoană competentă sau de un electrician calificat.
- Eliminați materialul de ambalare în mod responsabil. Acesta poate fi periculos pentru copii.
- Acordați atenție marginilor ascuțite din interiorul hotei de aragaz, în special în timpul instalării și curățării.
- Atunci când hota este amplasată deasupra unui aparat cu gaz, distanța minimă dintre suprafața de sprijin pentru vasele de gătit de pe plită și partea cea mai joasă a hotei trebuie să fie:

aragazuri cu gaz:	75 cm
aragazuri electrice:	65 cm
aragazuri care funcționează pe cărbuni sau ulei:	75 cm
- Asigurați-vă că conducta nu are coturi mai ascuțite de 90 de grade, deoarece acest lucru va reduce eficiența hotei de aragaz.
- Avertizare: Dacă șuruburile sau dispozitivele de prindere nu sunt montate în conformitate cu aceste instrucțiuni, apar pericolele cauzate de electricitate

Întotdeauna de făcut:

- Puneți întotdeauna capace pe oale și tigăi atunci când gătiți pe un aragaz cu gaz.
- Atunci când este în modul de extracție, aerul din cameră este eliminat de hota de aragaz. Verificați să se respecte măsurile corespunzătoare de ventilație. Hota elimină mirosurile din încăpere, dar nu și aburul.
- Hota de aragaz este numai pentru uz casnic.



- În cazul în care cablul de alimentare este deteriorat, acesta trebuie înlocuit de producător, agentul de service sau de persoane calificate în mod similar pentru a evita un pericol.
- Acest aparat poate fi utilizat de copii cu vârstă de cel puțin opt ani și de persoane cu abilități fizice, senzoriale sau mentale reduse sau lipsite de experiență și cunoștințe dacă sunt supravegheate sau instruite cu privire la utilizarea în siguranță a aparatului și dacă înțeleg pericolele aferente. Este interzis copiilor să se joace cu acest aparat. Curățarea și întreținerea de către utilizator nu se efectuează de către copii fără supraveghere.



- Avertizare: Înainte de a obține accesul la borne, toate circuitele de alimentare trebuie deconectate.

Întotdeauna de făcut:

- **Atenție:** Aparatul și piesele accesibile pot deveni fierbinți în timpul funcționării. Evitați să atingeți elementele de încălzire. Copiii mai mici de 8 ani ar trebui să stea departe de aparat, cu excepția cazului în care sunt supravegheați permanent.
- Trebuie să existe o ventilație adecvată a încăperii atunci când hota de aragaz este utilizată în același timp cu aparatele consumatoare de gaz sau alți combustibili.
- Există riscul de incendiu dacă curățarea nu se efectuează în conformitate cu instrucțiunile.
- Reglementările privind evacuarea aerului trebuie să fie respectate.
- Curățați periodic aparatul urmând metoda prezentată în capitolul ÎNTREȚINERE.
- Din motive de siguranță, utilizați numai șuruburi de prindere sau de fixare de aceeași dimensiune cu cele recomandate în acest manual de instrucțiuni.
- În ceea ce privește detaliile despre metoda și frecvența curățării, consultați secțiunea de întreținere și curățare din manualul de instrucțiuni.
- Curățarea și întreținerea de către utilizator nu se efectuează de către copii fără supraveghere.
- Atunci când hota de aragaz și aparatele alimentate cu alt tip de energie decât cea electrică sunt simultan în funcțiune, presiunea negativă din încăpere nu trebuie să depășească 4 Pa (4×10^{-5} bari).
- **AVERTIZARE:** Pericol de incendiu: nu depozitați articole pe suprafețele de gătit.
- **NU** trebuie utilizat un aparat de curățat cu abur.
- **NU** încercați NICIODATĂ să stingeți un incendiu cu apă, ci opriți aparatul și apoi acoperiți flacăra, de exemplu cu un capac sau o pătură ignifugă.

MONTARE (VENTILARE ÎN EXTERIOR)

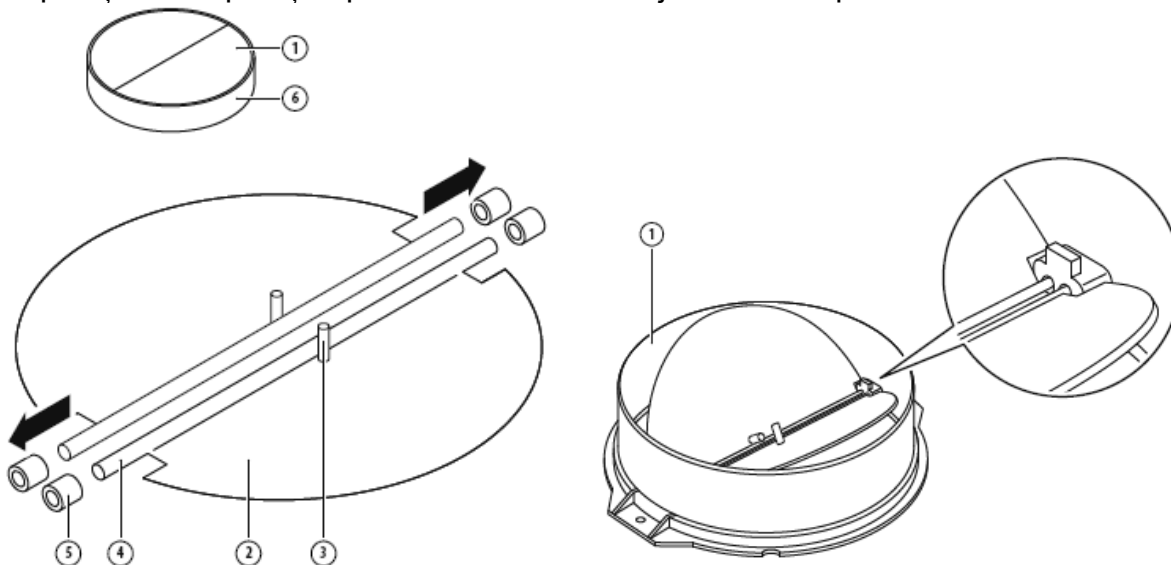
MONTAREA CLAPETEI ÎN V

*Accesoriu optional furnizat numai cu unele modele.

În cazul în care hota de aragaz nu are o clapetă în V 1 asamblată, trebuie să montați jumătățile de piese pe corpul acesteia. Imaginile arată doar un exemplu de montare a clapetei în V, orificiul de ieșire poate varia în funcție de diferitele modele și configurații.

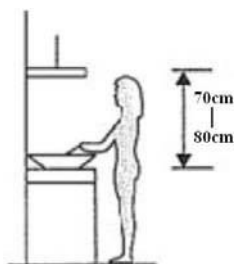
Pentru a monta clapeta în V 1, trebuie să:

- montați două jumătăți de piesă 2 în corpul 6
- bolțul 3 ar trebui să fie orientat în sus;
- axa 4 trebuie să fie introdusă în găurile 5 de pe corp;
- repetați toate operațiile pentru cea de-a doua jumătate de parte

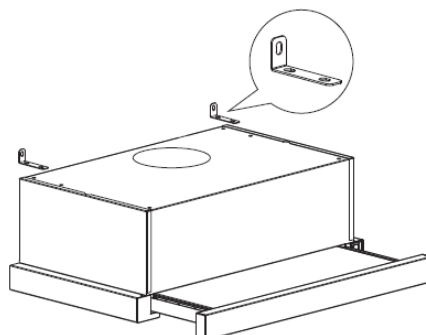


INSTALARE (Montare pe perete)

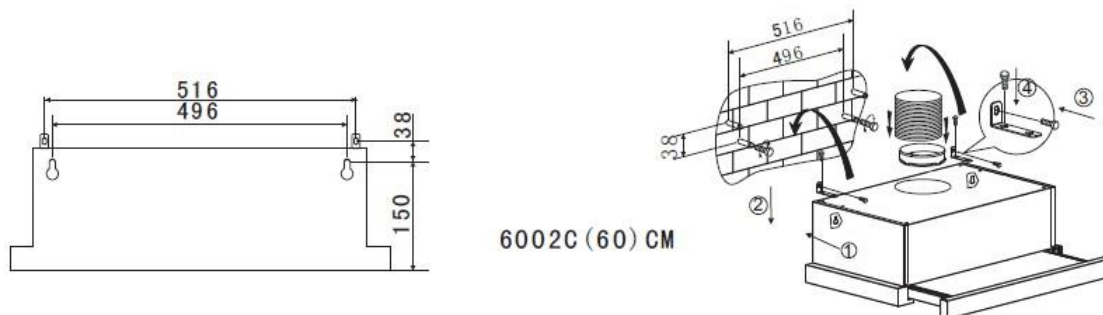
1. Decideți locația orificiilor pentru fixarea hotei de aragaz.



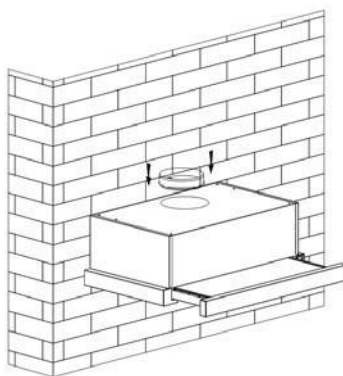
2. Instalați suportul în formă de L pe partea superioară a hotei cu ajutorul a două șuruburi (4 mm x 10 mm)



- Hota de aragaz se montează pe perete cu ajutorul a 4 șuruburi (4 mm x 30 mm) și a diblurilor de perete. Montați hota de aragaz pe perete, fixând partea din spate a hotei cu ajutorul a 2 șuruburi (4 mm x 30 mm) și a diblurilor de perete. Apoi, fixați hota de aragaz pe perete cu ajutorul a 2 șuruburi (4 mm x 30 mm) și cu dibluri de perete prin suportul mic în formă de L.

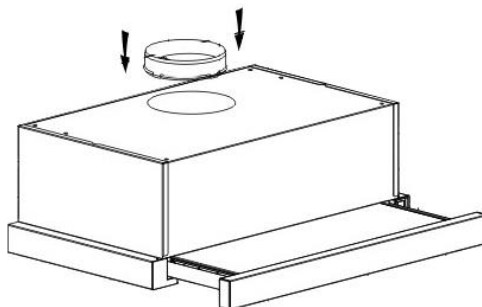


- Fixați supapa unidirecțională la orificiul de evacuare a aerului al hotei de aragaz.

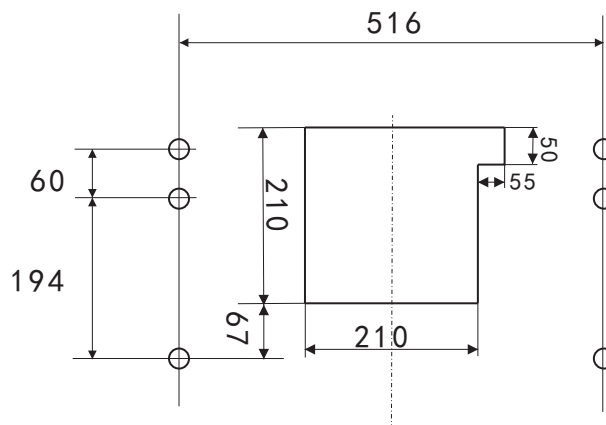


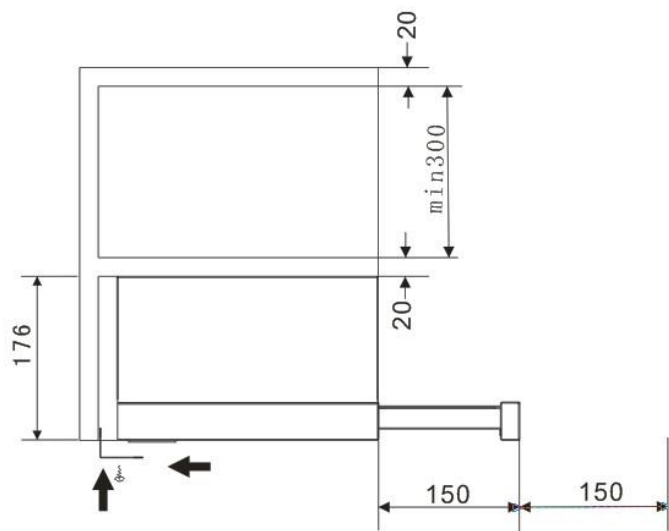
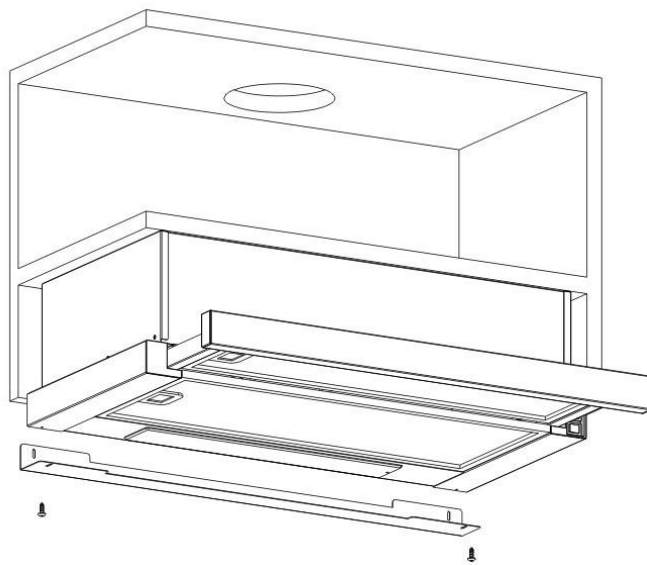
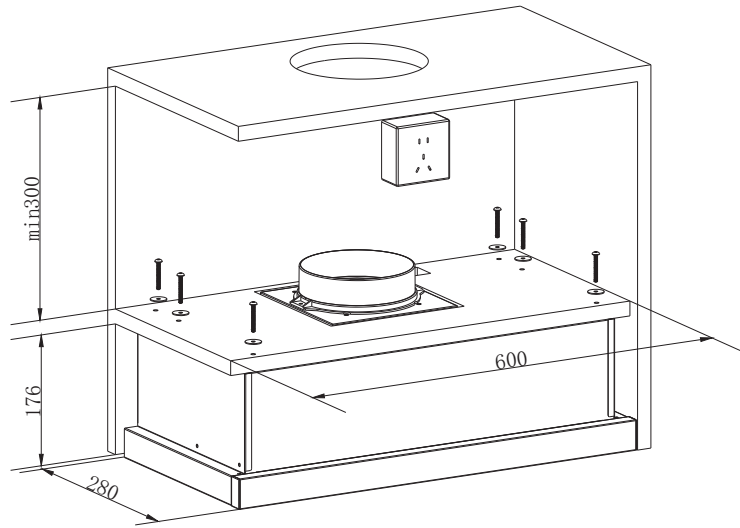
INSTALARE (Montare pe dulap)

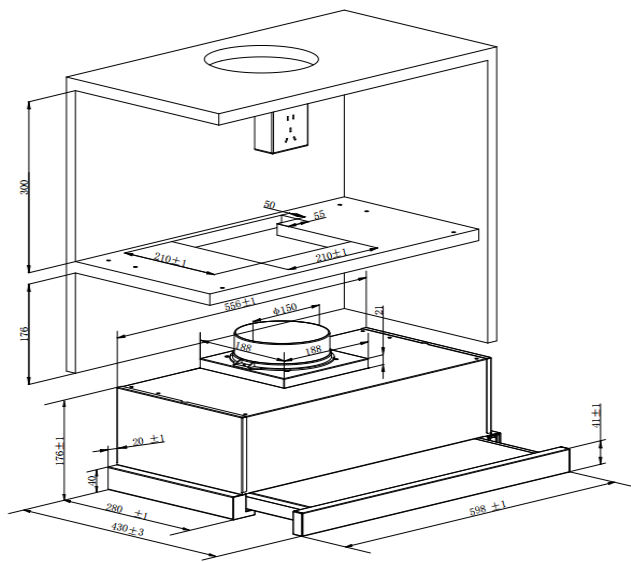
- Fixați supapa unidirecțională la orificiul de evacuare a aerului al hotei de aragaz.




- Montați hota de aragaz pe dulap cu ajutorul a 6 șuruburi (4 x 35 mm) și șaibe plate.





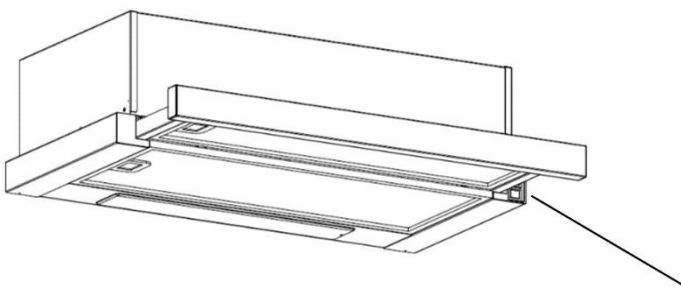


Dacă există un spațiu între perete și hota de aragaz, puteți instala suportul în formă de L pe partea inferioară a hotei cu ajutorul a două șuruburi (3 x 12 mm). Instalarea suportului în formă de L este opțională. Observație: Țeava de expansiune nu este inclusă în produs.

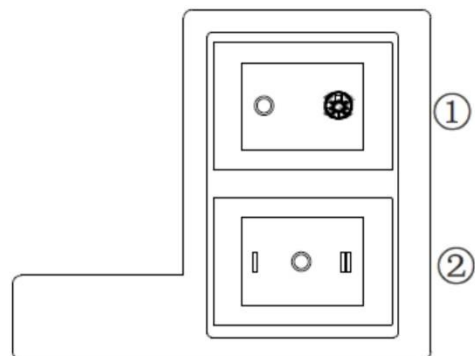
<p>AVERTIZARE:</p> 	<ul style="list-style-type: none"> ➤ Din motive de siguranță, utilizați numai șuruburi de prindere sau de fixare de aceeași dimensiune cu cele recomandate în acest manual de instrucțiuni. ➤ Neinstalarea șuruburilor sau a dispozitivului de fixare în conformitate cu aceste instrucțiuni poate duce la apariția unor pericole de natură electrică.
--	--

Începeți să utilizați hota de aragaz

Comutator basculant



Comutator basculant



3. Introduceți fișa de alimentare în priză.
4. Apăsați comutatorul ① la, becul se va aprinde; apăsați comutatorul ① la „0”, becul se va stinge.
5. Apăsați comutatorul ② în poziția „I, II”, motorul va funcționa cu două viteze „joasă”, ridicată, apăsați pe poziția „0”, motorul se va opri.
6. Alimentarea cu energie electrică va fi conectată atunci când scoateți panoul frontal. Sau invers, alimentarea cu energie electrică va fi deconectată automat.

REMEDIEREA DEFECȚIUNILOR

Defecțiuni	Cauze posibile	Soluție
Lumină aprinsă, dar motorul nu funcționează	Comutator ventilator oprit	Selectați o poziție de comutare ventilator.
	Comutator ventilator defect	Contactați centrul de service.
	Motorul s-a defectat	Contactați centrul de service.
Lumina nu funcționează, motorul nu funcționează	Siguranțele casei sunt arse	Resetați/Înlocuiți siguranțele.
	Cablu de alimentare slăbit sau deconectat	Remontați cablul la priza de alimentare. Porniți comutatorul de alimentare.
Scurgere de ulei	Supapa cu o singură cale și orificiul de evacuare nu sunt etanșe	Demontați supapa cu o singură cale și sigilați cu agent de etanșare.
	Scurgere de la racordul coșului de fum și capac	Coboară hornul și sigilează-l.
Luminile nu funcționează	Globuri sparte/defecte	Înlocuiți globurile conform acestei instrucțiuni.
Aspirație insuficientă	Distanța dintre hota de aragaz și partea superioară a aragazului este prea mare	Remontați hota aragazului la distanța corectă.
Hota aragazului înclină	Șurubul de fixare nu este suficient de strâns	Strângeți șurubul de fixare și lăsați-l orizontal.



OBSERVAȚIE:

Orice reparații electrice la acest aparat trebuie să fie în conformitate cu legile locale, de stat și federale. Contactați centrul de service dacă aveți îndoieli înainte de a întreprinde oricare dintre cele de mai sus. Întotdeauna deconectați unitatea de la sursa de alimentare atunci când o deschideți.

ÎNTREȚINERE ȘI CURĂȚARE

Atenție:

- Înainte de efectuarea întreținerii sau curățării, hota aragazului trebuie deconectată de la sursa principală de alimentare. Asigurați-vă că hota de aragaz este decuplată de la priza de perete și că fișa este scoasă.
- Suprafețele externe sunt susceptibile la zgârieturi și abraziuni, așadar trebuie să urmați instrucțiunile de curățare pentru a vă asigura că obțineți cel mai bun rezultat posibil fără deteriorări.



GENERALITĂȚI

Curățarea și întreținerea trebuie efectuate când aparatul este rece, în special curățarea. Evitați să lăsați substanțe alcaline sau acide (suc de lămâie, oțet etc.) pe suprafețe.

OȚEL INOXIDABIL

Oțelul inoxidabil trebuie curățat în mod regulat (de exemplu, săptămânal) pentru a asigura o durată de viață îndelungată. Uscați-l cu o cârpă moale și curată. Se poate utiliza un fluid de curățare specializat pentru oțel inoxidabil.

OBSERVAȚIE:

Asigurați-vă că ștergerea se face împreună cu granulația oțelului inoxidabil pentru a preveni apariția oricăror modele inestetice de zgârieturi încrucișate.

SUPRAFAȚA PANOULUI DE CONTROL

Panoul de control al inserției poate fi curățat cu apă caldă cu săpun. Asigurați-vă că materialul este curat și bine stors înainte de curățare. Utilizați o cârpă moale uscată pentru a îndepărta orice exces de umiditate rămas după curățare.

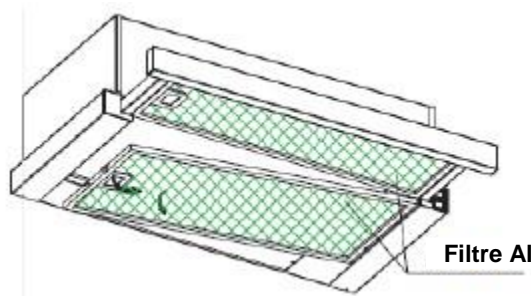
Important

Utilizarea detergenților neutri și evitarea utilizării substanțelor chimice de curățare dure, a detergenților de uz casnic puternici sau a produselor care conțin substanțe abrazive, deoarece acest lucru va afecta aspectul aparatului și poate elimina orice grafică de pe panoul de control și va anula garanția producătorului.

FILTRE CU SITĂ PENTRU GRĂSIMI

Filtrele cu sită pot fi curățate manual. Înmuiați-le timp de aproximativ 3 minute în apă cu un detergent de dizolvare a grăsimii, apoi periați-le ușor cu o perie moale. Vă rugăm să nu aplicați prea multă presiune, evitați să o deteriorați (Lăsați să se usuce natural fără lumina directă a soarelui).

Filtrele trebuie spălate separat de veselă și de ustensilele de bucătărie. Se recomandă să nu se folosească lichid de clătire.



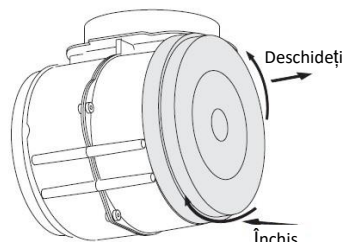
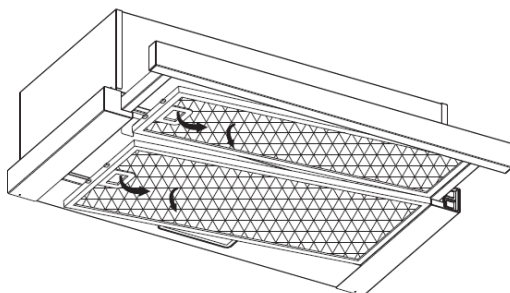
INSTALAREA FILTRELOR CU SITĂ PENTRU GRĂSIMI

- Pentru a instala filtre pentru următorii patru pași.
- Unghiul filtrului în fantele din partea din spate a hotei.
- Apăsăți butonul de pe mânerul filtrului.
- Eliberați mânerul odată ce filtrul se potrivește într-o poziție de repaus.
- Repetați pentru a instala toate filtrele.

FILTRU DE CARBON - nu este furnizat

Filtrul de carbon activ poate fi folosit pentru a evacua mirosurile nedorite. De regulă, filtrul de carbon activ trebuie schimbat la trei sau șase luni, în funcție de cât de des gătiți. Procedura de instalare a filtrului de carbon activ este prezentată mai jos.

- (1) Glisați partea frontală a hotei de aragaz.
- (2) Trebuie să desprindeți mai întâi filtrul al. Apăsați pe sistemul de închidere și trageți-l în jos.
- (3) Scoateți filtrul de carbon prin rotirea filtrului de carbon spre stânga.
- (4) Înlocuiți cu noul filtru de carbon.



OBSERVAȚIE:

- Asigurați-vă că filtrul este bine fixat. În caz contrar, s-ar slăbi și ar provoca pericole.
- Atunci când se montează filtrul de carbon activ, puterea de aspirare va fi redusă.

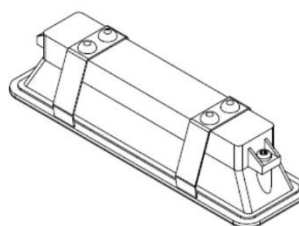
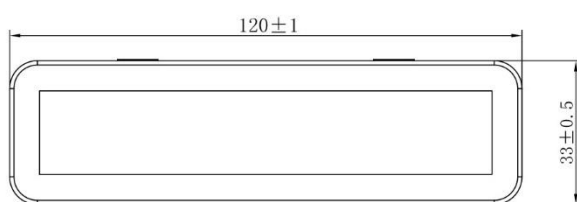
ÎNLOCUIREA BECULUI

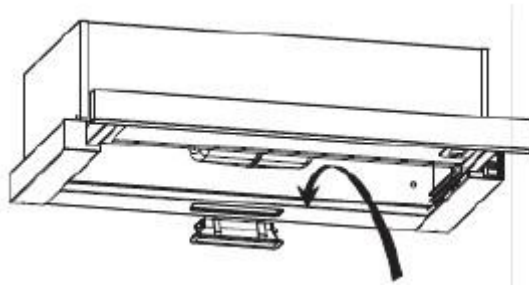
Important!



- ✧ Becul trebuie înlocuit de producător, de agentul său de service sau de persoane cu calificări similare.
- ✧ Opriți întotdeauna alimentarea cu energie electrică înainte de a efectua orice operațiuni asupra aparatului. Când manipulați becul, asigurați-vă că este complet răcit înainte de orice contact direct cu mâinile.
- ✧ Când manipulați globuri, țineți-le cu o cârpă sau mănuși pentru a vă asigura că transpirația nu vine în contact cu globul, deoarece acest lucru poate reduce durata de viață a globului.

- (1) Opriți aparatul și scoateți-l din priză.
- (2) Glisați partea frontală a hotei de aragaz.
- (3) Trebuie să desprindeți mai întâi filtrul al. Apăsați pe sistemul de închidere și trageți-l în jos.
- (4) Înlocuiți cu același tip de lumină LED DE 110-240 V~50 Hz, MAX.2 W
 - Codul ILCOS D pentru acest bec este: DBS-2/65-H-120/33.
 - Putere maximă: 2 W
 - Interval de tensiune: AC 110–240 V
 - Dimensiuni:





PROTECTIA MEDIULUI:



Prezentul aparat este etichetat în conformitate cu Directiva europeană 2012/19/UE privind echipamentele electrice și electronice (DEEE). DEEE conțin atât substanțe poluante (care pot avea un efect negativ asupra mediului) cât și elemente de bază (care pot fi refolosite). Este important ca DEEE să fie supuse unor tratamente specifice pentru a îndepărta și elimina corect elementele poluante și pentru a recupera toate materialele. Persoanele pot juca un rol important în asigurarea faptului că DEEE nu devin o problemă de mediu; este foarte important să se respecte câteva reguli de bază:

- DEEE nu trebuie tratate ca deșeuri menajere;
- DEEE trebuie duse în spații de colectare speciale, administrate de către consiliul local sau o companie înregistrată.

În numeroase țări, colectarea deșeurilor de la domiciliu poate fi disponibilă pentru DEEE mari. Atunci când cumpărați un aparat electrocasnic nou, cel vechi poate fi returnat vânzătorului care trebuie să îl accepte gratuit la schimb, în măsura în care acesta este de tip similar și are aceleași funcții cu aparatul cumpărat.

OBSERVAȚIE:

Mai jos puteți vedea cum se poate reduce impactul total asupra mediului (de ex. utilizarea energiei) al procesului de gătit.

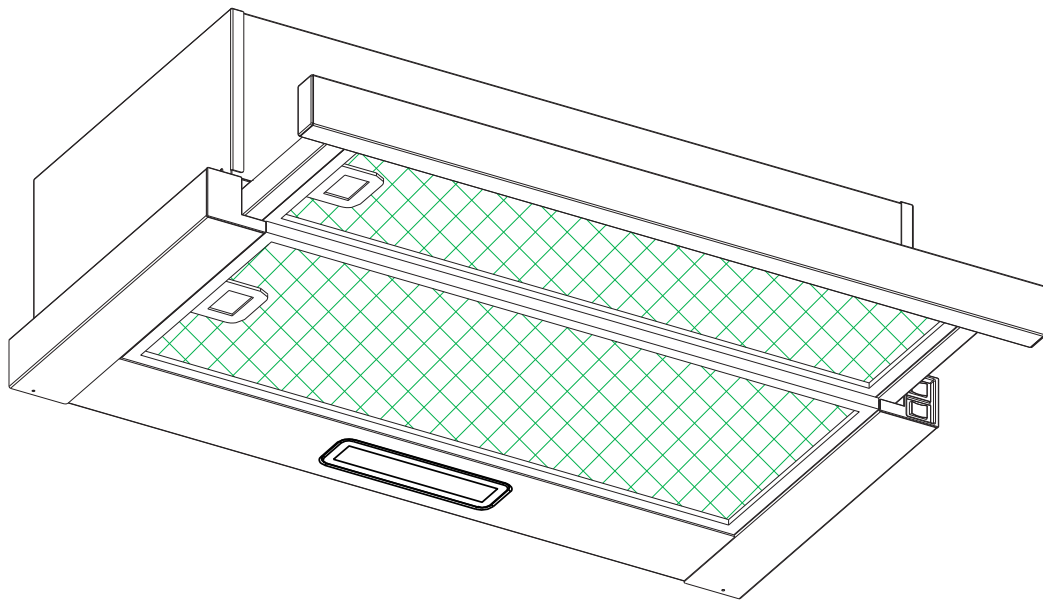
- (1) Montați hota de aragaz într-un loc corespunzător, unde să existe o ventilație eficientă.
- (2) Curățați regulat hota, astfel încât să nu se blocheze căile de ventilație.
- (3) Nu uitați să stingeți becul de la hotă după ce gătiți.
- (4) Nu uitați să opriți hota după ce gătiți.

INFORMAȚII PRIVIND DEMONTAREA

Nu demontați aparatul în alt mod decât cel prezentat în manualul de utilizare. Aparatul nu poate fi demontat de către utilizator. La sfârșitul ciclului de viață, aparatul nu trebuie eliminat împreună cu deșeurile menajere. Solicitați sfatul autorităților locale sau ale colectoarelor.

Απορροφητήρας

Εγχειρίδιο οδηγιών χρήσης



Περιεχόμενα

- 1 Οδηγίες ασφαλείας
- 2 Εγκατάσταση
- 3 Ξεκινήστε να χρησιμοποιείτε τον απορροφητήρα σας
- 4 Αντιμέτωπιση προβλημάτων
- 5 Συντήρηση και καθαρισμός
- 6 Προστασία του περιβάλλοντος

ΟΔΗΓΙΕΣ ΑΣΦΑΛΕΙΑΣ

Αυτό το εγχειρίδιο εξηγεί την σωστή εγκατάσταση και χρήση του απορροφητήρα σας, διαβάστε το προσεκτικά πριν τον χρησιμοποιήσετε ακόμη και αν είστε εξοικειωμένοι με το προϊόν. Το εγχειρίδιο πρέπει να φυλάσσεται το σε ένα ασφαλές μέρος για μελλοντική αναφορά.

Μην κάνετε ποτέ τα εξής:

- Μην προσπαθήσετε να χρησιμοποιήσετε τον απορροφητήρα χωρίς τα φίλτρα για λίπη ή αν τα φίλτρα είναι υπερβολικά λιπαρά!
- Μην εγκαταστήσετε πάνω από κουζίνα με ψησταριά μεγάλου ύψους.
- Μην αφήνετε τα τηγάνια χωρίς επίβλεψη κατά τη διάρκεια της χρήσης, διότι τα υπερθερμασμένα λίπη ή έλαια μπορεί να πάρουν φωτιά.
- Μην αφήνετε ποτέ γυμνές φλόγες κάτω από τον απορροφητήρα.



- Εάν ο απορροφητήρας έχει υποστεί ζημιά, μην επιχειρήσετε να τον χρησιμοποιήσετε.
- Μην κάνετε φλαμπέ κάτω από τον απορροφητήρα.
- ΠΡΟΣΟΧΗ: Τα προσβάσιμα τμήματα της μπορεί να ζεσταθούν όταν χρησιμοποιούνται μαζί με συσκευές μαγειρέματος.
- Η ελάχιστη απόσταση μεταξύ της επιφάνειας στήριξης για τα σκεύη μαγειρέματος επάνω στις εστίες και του κατώτερου τμήματος του απορροφητήρα. (Όταν ο απορροφητήρας βρίσκεται επάνω από μία συσκευή αερίου, αυτή η απόσταση πρέπει να είναι τουλάχιστον 65 cm)
- Ο αέρας δεν πρέπει να απορρίπτεται μέσα σε αεραγωγό ο οποίος χρησιμοποιείται για την απαγωγή καυσαερίων από συσκευές που χρησιμοποιούν σαν καύσιμο αέριο ή άλλα καύσιμα.



Πάντα να κάνετε τα εξής:

- Σημαντικό! Να διακόπτετε πάντα την παροχή του ηλεκτρικού από τον ηλεκτρολογικό πίνακα κατά την διάρκεια της εγκατάστασης και της συντήρησης όπως η αντικατάσταση ενός λαμπτήρα.
- Ο απορροφητήρας πρέπει να εγκατασταθεί σύμφωνα με τις οδηγίες εγκατάστασης και να τηρηθούν όλες οι μετρήσεις.
- Όλες οι εργασίες εγκατάστασης πρέπει να εκτελούνται από αρμόδιο άτομο ή εξειδικευμένο ηλεκτρολόγο.
- Παρακαλείστε να απορρίψετε προσεκτικά το υλικό συσκευασίας. Τα παιδιά μπορεί να τραυματιστούν από αυτά.
- Προσέξτε τις αιχμηρές άκρες στο εσωτερικό του απορροφητήρα, ιδίως κατά την εγκατάσταση και τον καθαρισμό.
- Όταν ο απορροφητήρας βρίσκεται πάνω από συσκευή αερίου, η ελάχιστη απόσταση μεταξύ της επιφάνειας στήριξης των μαγειρικών σκευών στην εστία και του χαμηλότερου μέρους του απορροφητήρα πρέπει να είναι:

Κουζίνες αερίου:	75 cm
Ηλεκτρικές κουζίνες:	65 cm
Κουζίνες κάρβουνου ή πετρελαίου:	75 cm
- Βεβαιωθείτε ότι ο αγωγός δεν έχει καμπύλες πιο μεγάλες από 90 μοίρες, καθώς αυτό θα μειώσει την απόδοση του απορροφητήρα.
- Προειδοποίηση: Η αποτυχία τοποθέτησης των βιδών ή της συσκευής συγκράτησης σύμφωνα με αυτές τις οδηγίες μπορεί να έχει σαν αποτέλεσμα την ηλεκτροπληξία

Πάντα να κάνετε τα εξής:

- Βάζετε πάντα καπάκια στις κατσαρόλες και τα τηγάνια όταν μαγειρεύετε σε κουζίνα αερίου.
- Όταν βρίσκεται σε λειτουργία αναρρόφησης, ο αέρας του χώρου απομακρύνεται από τον απορροφητήρα. Σας παρακαλούμε σιγουρευτείτε ότι τηρούνται τα κατάλληλα μέτρα εξαερισμού. Ο απορροφητήρας αφαιρεί τις μυρωδιές από το δωμάτιο αλλά όχι τον ατμό.
- Ο απορροφητήρας είναι μόνο για οικιακή χρήση.



- Εάν έχει προκληθεί ζημιά στο καλώδιο τροφοδοσίας, πρέπει να αντικατασταθεί από τον κατασκευαστή, τον εξουσιοδοτημένο τεχνικό του ή άτομο με παρόμοια τεχνική κατάρτιση έτσι ώστε να αποφευχθεί οποιοσδήποτε κίνδυνος.
- Αυτή η συσκευή μπορεί να χρησιμοποιηθεί από παιδιά ηλικίας 8 ετών ή μεγαλύτερα και από άτομα με μειωμένες σωματικές, αισθητηριακές ή διανοητικές ικανότητες ή έλλειψη εμπειρίας και γνώσης εάν είναι υπό επίβλεψη ή τους έχουν δοθεί οδηγίες αναφορικά με τη χρήση της συσκευής με ασφαλή τρόπο και έχουν κατανοήσει τους κινδύνους που ενέχονται. Τα παιδιά δεν θα πρέπει να παίζουν με την συσκευή. Ο καθαρισμός και η συντήρηση από τον χρήστη δεν θα πρέπει να γίνεται από παιδιά χωρίς επίβλεψη.



- Προειδοποίηση: Πριν αποκτήσετε πρόσβαση στους ακροδέκτες, πρέπει να αποσυνδεθούν όλα τα κυκλώματα τροφοδοσίας.

Πάντα να κάνετε τα εξής:

- Προσοχή: Η συσκευή και τα προσβάσιμα τμήματα της μπορεί να ζεσταθούν κατά την διάρκεια της λειτουργίας της. Προσέξτε έτσι ώστε να αποφύγετε να ακουμπήσετε τα θερμά τμήματα. Παιδιά με ηλικία μικρότερη από 8 έτη θα πρέπει να παραμένουν μακριά εκτός εάν είναι κάτω από συνεχή επιτήρηση.
- Πρέπει να υπάρχει επαρκής αερισμός του χώρου όταν ο απορροφητήρας χρησιμοποιείται ταυτόχρονα με συσκευές που καίνε αέριο ή άλλα καύσιμα.
- Υπάρχει κίνδυνος πυρκαγιάς εάν ο καθαρισμός δεν πραγματοποιηθεί σύμφωνα με τις οδηγίες.
- Πρέπει να τηρούνται οι κανονισμοί σχετικά με την απόρριψη του αέρα.
- Καθαρίζετε περιοδικά τη συσκευή σας ακολουθώντας τον τρόπο που αναφέρεται στο κεφάλαιο ΣΥΝΤΗΡΗΣΗ.
- Για λόγους ασφαλείας, χρησιμοποιήστε μόνο το ίδιο μέγεθος βίδας στήριξης ή στερέωσης που συνιστάται σε αυτό το εγχειρίδιο οδηγιών χρήσης.
- Όσον αφορά τις λεπτομέρειες σχετικά με τον τρόπο και τη συχνότητα καθαρισμού, ανατρέξτε στην ενότητα συντήρησης και καθαρισμού στο εγχειρίδιο οδηγιών χρήσης.
- Ο καθαρισμός και η συντήρηση από τον χρήστη δεν πρέπει να γίνεται από παιδιά χωρίς επίβλεψη.
- Όταν ο απορροφητήρας και οι συσκευές που τροφοδοτούνται με άλλη ενέργεια πλην του ηλεκτρικού ρεύματος λειτουργούν ταυτόχρονα, η αρνητική πίεση στο χώρο δεν πρέπει να υπερβαίνει τα 4 Pa (4 x 10⁻⁵ bar).
- ΠΡΟΕΙΔΟΠΟΙΗΣΗ: Κίνδυνος πυρκαγιάς: μην αποθηκεύετε αντικείμενα στις επιφάνειες μαγειρέματος.
- Δεν πρέπει να χρησιμοποιείται ατμοκαθαριστής.
- ΠΟΤΕ μην προσπαθήσετε να σβήσετε μια φωτιά με νερό, αλλά απενεργοποιήστε τη συσκευή και στη συνέχεια, καλύψτε τη φλόγα π.χ. με ένα καπάκι ή μια κουβέρτα πυρόσβεσης.

ΕΓΚΑΤΑΣΤΑΣΗ (ΕΞΩΤΕΡΙΚΟΣ ΕΞΑΕΡΙΣΜΟΣ)

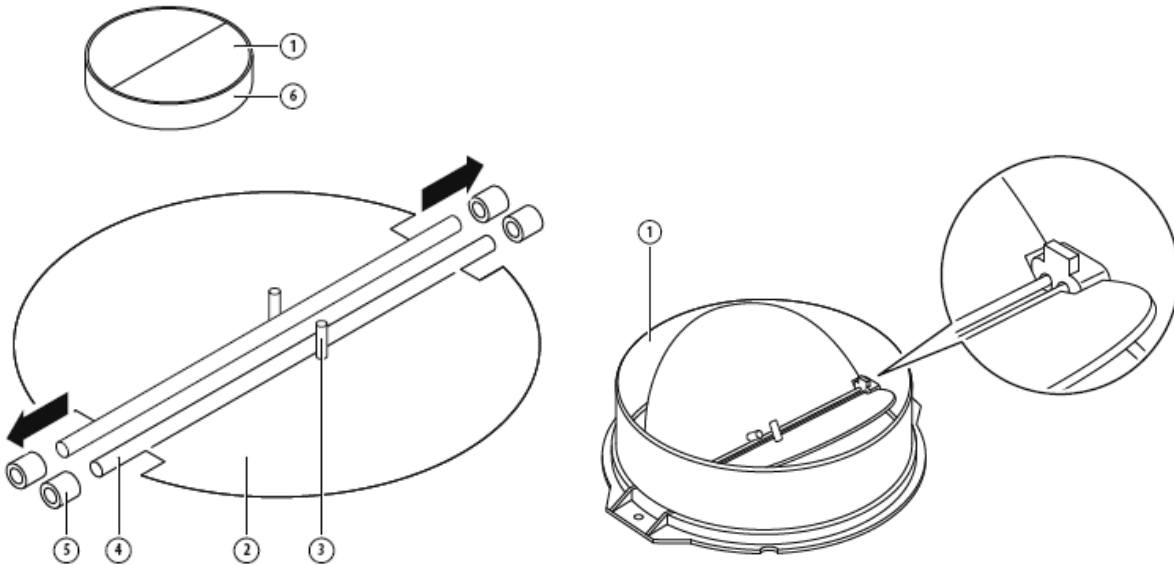
ΤΟΠΟΘΕΤΗΣΗ ΤΟΥ ΠΤΕΡΥΓΙΟΥ V-FLAP

**Προαιρετικό αξεσουάρ παρέχεται μόνο με ορισμένα μοντέλα.*

Εάν ο απορροφητήρας δεν έχει ένα συναρμολογημένο V-flap 1, θα πρέπει να τοποθετήσετε τα μισά μέρη στο σώμα του. Οι εικόνες δείχνουν μόνο ένα παράδειγμα του τρόπου τοποθέτησης του πτερυγίου V, η έξοδος μπορεί να είναι διαφορετική ανάλογα με τα διάφορα μοντέλα και τη διαμόρφωση.

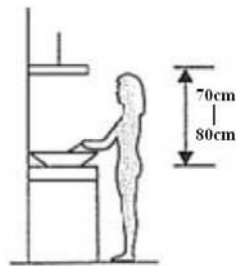
Για να τοποθετήσετε το V-flap 1 θα πρέπει να:

- Τοποθετήσετε τα δύο μισά μέρη 2 μέσα στο σώμα 6
- ο ακροδέκτης 3 πρέπει να είναι προσανατολισμένος προς τα πάνω,
- ο άξονας 4 πρέπει να εισαχθεί στις τρύπες 5 του σώματος,
- επαναλάβετε όλες τις εργασίες για το 2ο μισό μέρος.

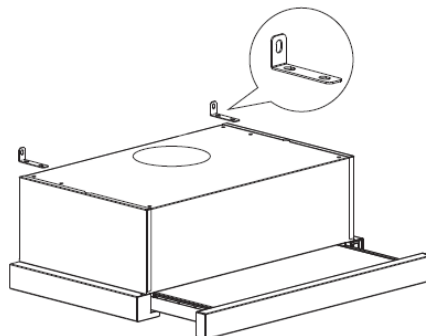


ΕΓΚΑΤΑΣΤΑΣΗ (επιτοίχια εγκατάσταση)

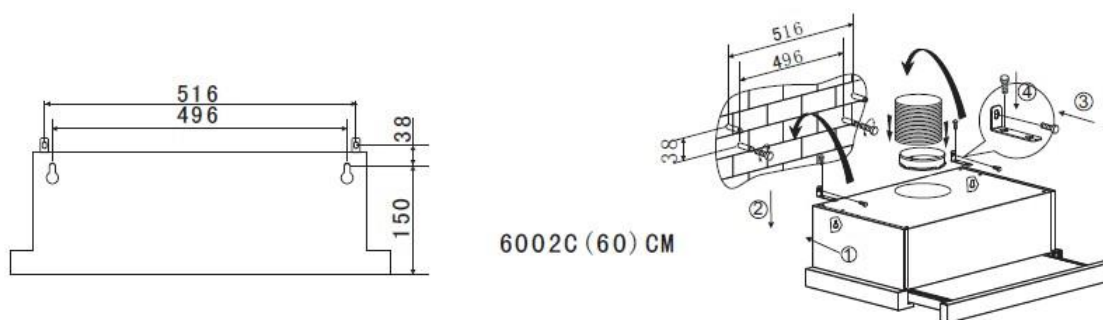
1. Αποφασίστε τη θέση των οπών για τη στερέωση του απορροφητήρα.



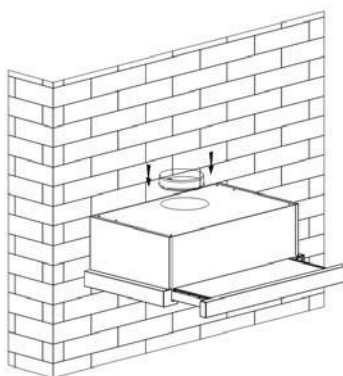
2. Τοποθετήστε το στήριγμα σχήματος L στο επάνω μέρος του καλύμματος με δύο βίδες (4mm x 10mm)



3. Ο απορροφητήρας τοποθετείται στον τοίχο με 4 βίδες (4mm x 30mm) και βύσματα τοίχου. Τοποθετήστε τον απορροφητήρα στον τοίχο στο πίσω μέρος του απορροφητήρα με 2 βίδες (4mm x 30mm) και βύσματα τοίχου. Στη συνέχεια, στερεώστε τον απορροφητήρα στον τοίχο με 2 βίδες (4mm x 30mm) και βύσματα τοίχου μέσω του μικρού βραχίονα σχήματος L.

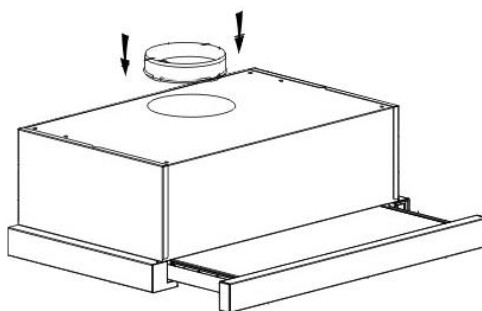


4. Στερεώστε το κλαπέτο στην έξοδο αέρα του απορροφητήρα.

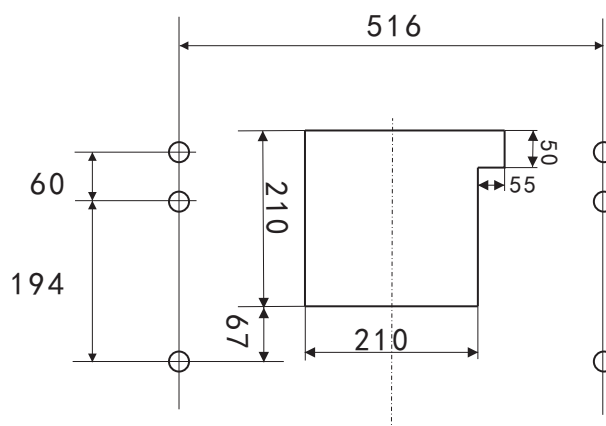


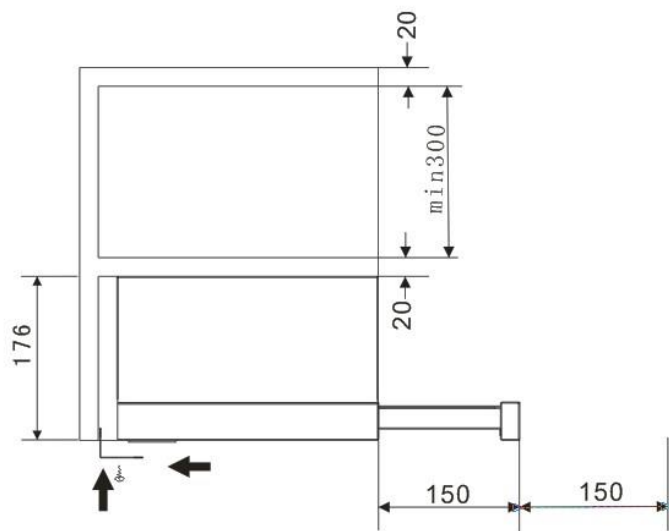
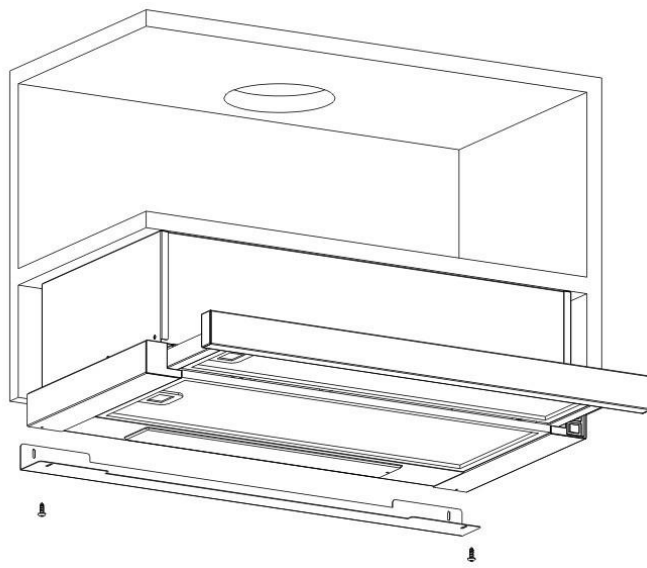
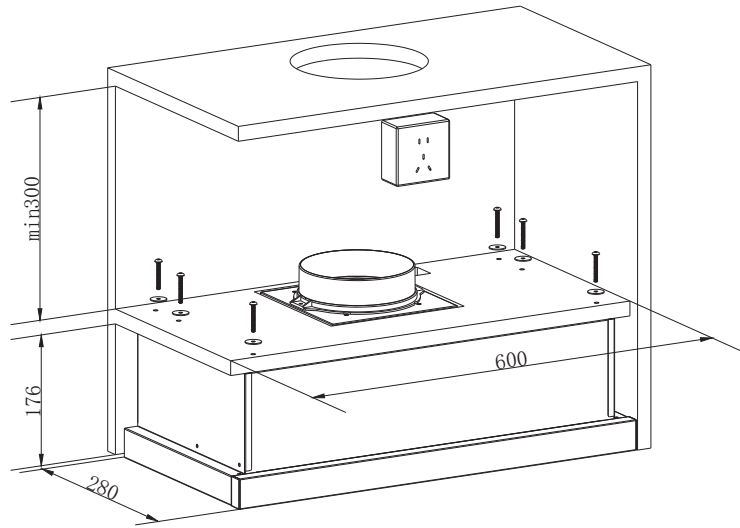
ΕΓΚΑΤΑΣΤΑΣΗ (τοποθέτηση σε ντουλάπι)

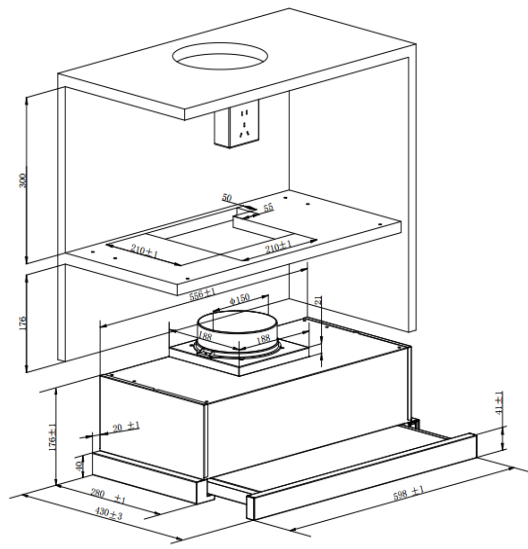
1. Στερεώστε το κλαπέτο στην έξοδο αέρα του απορροφητήρα.




2. Τοποθετήστε τον απορροφητήρα στο ντουλάπι με 6 βίδες (4x35mm) και επίπεδες ροδέλες.





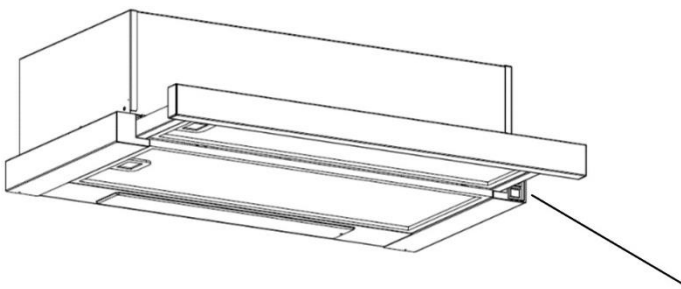


Εάν υπάρχει κενό μεταξύ του τοίχου και του απορροφητήρα, μπορείτε να τοποθετήσετε το στήριγμα σχήματος L στο κάτω μέρος του απορροφητήρα με δύο βίδες (3 x 12mm). Η εγκατάσταση του βραχίονα σχήματος L είναι προαιρετική. Σημείωση: Ο σωλήνας εξαερισμού δεν περιλαμβάνεται στο προϊόν.

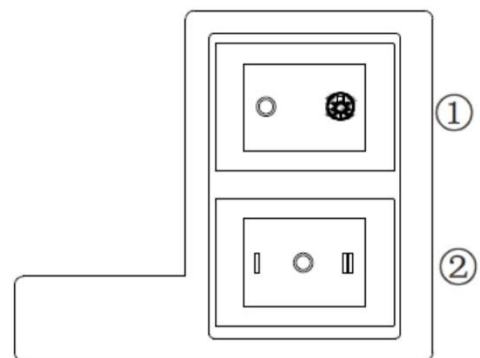
<p>ΠΡΟΕΙΔΟΠΟΙΗΣΗ!</p> 	<ul style="list-style-type: none"> ➤ Για λόγους ασφαλείας, χρησιμοποιήστε μόνο το ίδιο μέγεθος βίδας στερέωσης ή τοποθέτησης που συνιστάται στο παρόν εγχειρίδιο οδηγιών. ➤ Η μη τοποθέτηση των βιδών ή της συσκευής στερέωσης σύμφωνα με τις παρούσες οδηγίες μπορεί να οδηγήσει σε ηλεκτρικούς κινδύνους.
---	---

Ξεκινήστε να χρησιμοποιείτε τον απορροφητήρα σας

Διακόπτης Rocker



Διακόπτης Rocker



1. Τοποθετήστε το φις ρεύματος στην πρίζα.
2. Πιέστε τον διακόπτη ① στο, το φως θα ανάψει- πιέστε τον διακόπτη ① στο «0», το φως θα σβήσει.
3. Πιέστε το διακόπτη ② στο «I, II», ο κινητήρας θα είναι σε δύο ταχύτητες, «χαμηλή, υψηλή», πιέστε στο «0», ο κινητήρας θα απενεργοποιηθεί.
4. Η τροφοδοσία θα συνδεθεί όταν τραβήξετε έξω το συρόμενο τμήμα. Αντίθετα, η τροφοδοσία θα αποσυνδεθεί αυτόματα.

ΑΝΤΙΜΕΤΩΠΙΣΗ ΠΡΟΒΛΗΜΑΤΩΝ

Βλάβη	Πιθανή αιτία	Λύση
Το φως ανάβει, αλλά το μοτέρ δεν λειτουργεί	Διακόπτης ανεμιστήρα έχει κλείσει	Επιλέξτε μία θέση του διακόπτη του ανεμιστήρα.
	Ο διακόπτης του ανεμιστήρα έχει χαλάσει	Επικοινωνήστε με την Υπηρεσία Τεχνικής Εξυπηρέτησης.
	Το μοτέρ έχει χαλάσει	Επικοινωνήστε με την Υπηρεσία Τεχνικής Εξυπηρέτησης.
Το φως δεν λειτουργεί, το μοτέρ δεν λειτουργεί	Καμμένες ασφάλειες σπιτιού	Επαναφέρετε/αντικαταστήστε τις ασφάλειες.
	Το καλώδιο τροφοδοσίας είναι χαλαρό ή αποσυνδεδεμένο	Επανατοποθετήστε το καλώδιο στην πρίζα. Ενεργοποιήστε την τροφοδοσία.
Διαρροή λαδιού	Το κλαπέτο και η έξοδος δεν είναι στεγανοποιημένες καλά	Αφαιρέστε το κλαπέτο και στεγανοποιήστε με στεγανοποιητικό.
	Διαρροή από την ένωση της καπνοδόχου και του καλύμματος	Αφαιρέστε την καπνοδόχο και στεγανοποιήστε.
Τα φώτα δεν λειτουργούν	Σπασμένοι/ελαττωματικοί λαμπτήρες	Αντικαταστήστε τους λαμπτήρες σύμφωνα με αυτές τις οδηγίες.
Ανεπαρκής αναρρόφηση	Η απόσταση μεταξύ του απορροφητήρα και των αναθυμιάσεων είναι πολύ μεγάλη	Τοποθετήστε ξανά τον απορροφητήρα στην σωστή απόσταση.
Ο απορροφητήρας γέρνει	Η βίδα στερέωσης δεν είναι αρκετά σφιχτή	Σφίξτε την βίδα για το κρέμασμα και φέρτε τον οριζόντια.



ΣΗΜΕΙΩΣΗ:

Οποιοσδήποτε ηλεκτρικές επισκευές σε αυτήν τη συσκευή πρέπει να συμμορφώνονται με τους τοπικούς, κρατικούς και ομοσπονδιακούς νόμους. Επικοινωνήστε με το κέντρο επισκευής εάν έχετε οποιαδήποτε αμφιβολία πριν κάνετε οποιοδήποτε από τα παραπάνω. Αποσυνδέετε πάντα την μονάδα από την πηγή τροφοδοσίας όταν ανοίγετε τη μονάδα.

ΣΥΝΤΗΡΗΣΗ ΚΑΙ ΚΑΘΑΡΙΣΜΟΣ

Προσοχή:

- Πριν από τη συντήρηση ή τον καθαρισμό, πρέπει να αποσυνδεθεί ο απορροφητήρας από την παροχή ρεύματος. Βεβαιωθείτε ότι ο απορροφητήρας είναι απενεργοποιημένος από την πρίζα και ότι το φως έχει αφαιρεθεί.
- Οι εξωτερικές επιφάνειες είναι ευαίσθητες σε γρατζουνιές και φθορές από τριβή, οπότε ακολουθήστε τις οδηγίες καθαρισμού για να διασφαλίσετε ότι επιτυγχάνεται το καλύτερο δυνατό αποτέλεσμα χωρίς ζημιά.



ΓΕΝΙΚΑ

Ο καθαρισμός και η συντήρηση πρέπει να πραγματοποιούνται με τη συσκευή κρύα ειδικά όταν την καθαρίζετε. Αποφύγετε να αφήνετε αλκαλικές ή όξινες ουσίες (χυμός λεμονιού, ξύδι κ.λ.π.) επάνω στις επιφάνειες.

ΑΝΟΞΕΙΔΩΤΟ ΑΤΣΑΛΙ

Το ανοξειδωτο ατσάλι πρέπει να καθαρίζεται τακτικά (π.χ. κάθε εβδομάδα) για να εξασφαλιστεί μία μεγάλη διάρκεια ζωής. Στεγνώστε με ένα καθαρό μαλακό πανί. Μπορεί να χρησιμοποιηθεί ένα εξειδικευμένο υγρό καθαρισμού για ανοξειδωτο ατσάλι.

ΣΗΜΕΙΩΣΗ:

Βεβαιωθείτε ότι το σκούπισμα γίνεται κατά μήκος της κατεύθυνσης των γραμμών του ανοξειδωτου ατσάλιου για να αποτρέψετε την εμφάνιση τυχόν αντιαισθητικών διαγώνιων γρατσουνιών.

ΕΠΙΦΑΝΕΙΑ ΠΙΝΑΚΑ ΕΛΕΓΧΟΥ

Ο πίνακας ελέγχου μπορεί να καθαριστεί με ζεστό σαπούνι και νερό. Βεβαιωθείτε ότι το πανί είναι καθαρό και έχει στυφτεί καλά πριν από τον καθαρισμό. Χρησιμοποιήστε ένα στεγνό μαλακό πανί για να αφαιρέσετε τυχόν υπερβολική υγρασία που απομένει μετά από τον καθαρισμό.

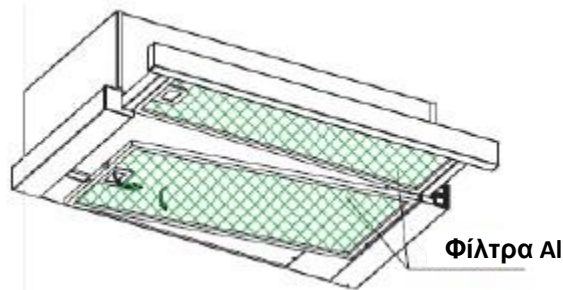
Σημαντικό

Χρησιμοποιείτε ουδέτερα απορρυπαντικά και αποφύγετε τη χρήση σκληρών χημικών καθαρισμού, ισχυρών οικιακών απορρυπαντικών ή προϊόντων που περιέχουν διαβρωτικά, καθώς αυτό θα επηρεάσει την εμφάνιση της συσκευής και ενδεχομένως θα αφαιρέσει οποιαδήποτε εκτύπωση ή γραφικά στον πίνακα ελέγχου και θα ακυρώσει την εγγύηση του κατασκευαστή.

ΦΙΛΤΡΑ ΓΙΑ ΛΙΠΗ

Τα μεταλλικά φίλτρα μπορούν να καθαριστούν με το χέρι. Μουλιάστε τα για περίπου 3 λεπτά σε νερό με απορρυπαντικό που αφαιρεί το λίπος και στη συνέχεια βουρτσίστε τα απαλά με μια μαλακή βούρτσα. Μην ασκείτε υπερβολική πίεση, αποφύγετε την πρόκληση ζημιάς σε αυτά. (Αφήστε τα να στεγνώσουν φυσικά στο άμεσο φως του ήλιου)

Τα φίλτρα πρέπει να πλένονται ξεχωριστά από πιάτα και σκεύη κουζίνας. Συνιστάται να μην χρησιμοποιείτε λαμπруντικό.



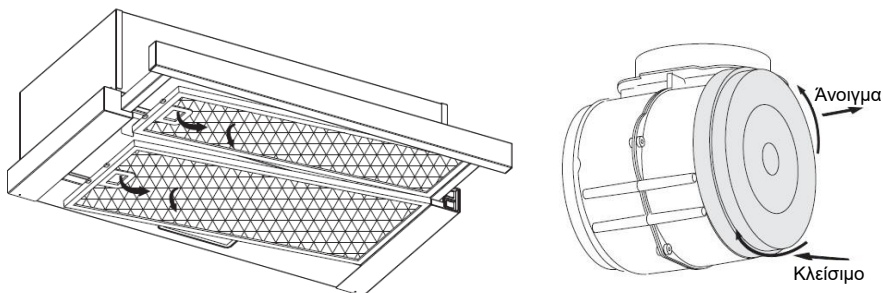
ΤΟΠΟΘΕΤΗΣΗ ΜΕΤΑΛΛΙΚΩΝ ΦΙΛΤΡΩΝ ΓΙΑ ΛΙΠΗ

- Για να τοποθετήσετε τα φίλτρα ακολουθήστε τα τέσσερα βήματα:
- Τοποθετήστε το φίλτρο στις υποδοχές στο πίσω μέρος του απορροφητήρα.
- Πατήστε το κουμπί στη λαβή του φίλτρου.
- Ελευθερώστε την χειρολαβή μόλις τοποθετηθεί το φίλτρο στην κανονική θέση του.
- Επαναλάβετε για να τοποθετήσετε όλα τα φίλτρα.

ΦΙΛΤΡΟ ΑΝΘΡΑΚΑ- δεν παρέχεται

Μπορεί να χρησιμοποιηθεί το φίλτρο ενεργού άνθρακα για να συγκρατεί τις μυρωδιές. Συνήθως το φίλτρο ενεργού άνθρακα πρέπει να αλλάζεται κάθε τρεις ή έξι μήνες ανάλογα με τις συνθήκες μαγειρέματος. Η διαδικασία τοποθέτησης του φίλτρου ενεργού άνθρακα είναι η ακόλουθη:

- (1) Σύρετε το μπροστινό τμήμα του απορροφητήρα.
- (2) Θα πρέπει πρώτα να αφαιρέσετε το φίλτρο αλ. Πιέστε την ασφάλεια και τραβήξτε το προς τα κάτω.
- (3) Αφαιρέστε το φίλτρο άνθρακα περιστρέφοντάς το αριστερόστροφα.
- (4) Αντικαταστήστε το νέο φίλτρο άνθρακα.



ΣΗΜΕΙΩΣΗ:

- Σιγουρευτείτε ότι το φίλτρο έχει ασφαλίσει σωστά στην θέση του. Διαφορετικά, μπορεί να χαλαρώσει και να προκαλέσει κίνδυνο.
- Όταν τοποθετείται ένα φίλτρο ενεργού άνθρακα, μειώνεται η ισχύς απορρόφησης.

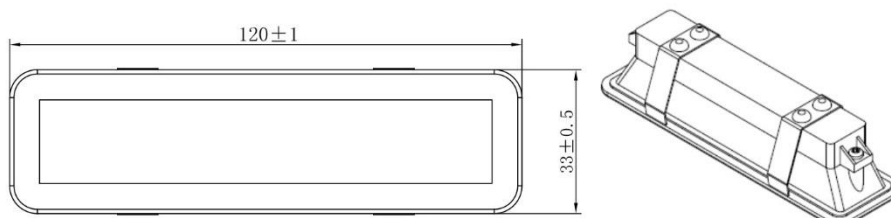
ΑΝΤΙΚΑΤΑΣΤΑΣΗ ΛΑΜΠΤΗΡΑ

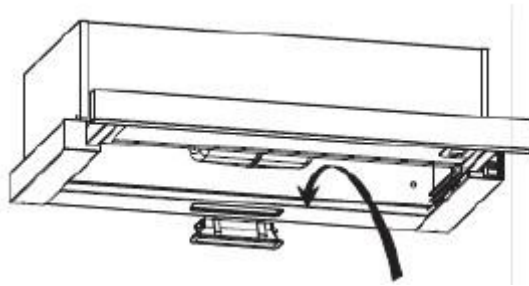
Σημαντικό:



- ✧ Ο λαμπτήρας πρέπει να αντικατασταθεί από τον κατασκευαστή, τον εξουσιοδοτημένο επισκευαστή του ή από άτομα με παρόμοια τεχνική κατάρτιση.
- ✧ Να απενεργοποιείτε πάντα την παροχή ηλεκτρικού ρεύματος πριν εκτελέσετε οποιαδήποτε εργασία στην συσκευή. Όταν χειρίζεστε τον λαμπτήρα, βεβαιωθείτε ότι έχει κρυώσει εντελώς πριν από οποιαδήποτε άμεση επαφή με τα χέρια.
- ✧ Όταν χειρίζεστε τους λαμπτήρες, κρατήστε τους με ένα πανί ή γάντια για να διασφαλίσετε ότι η υγρασία των χεριών σας δεν έρχεται σε επαφή με τον λαμπτήρα, καθώς αυτό μπορεί να μειώσει τη διάρκεια ζωής του λαμπτήρα.

- (1) Απενεργοποιήστε τη συσκευή και βγάλτε την από την πρίζα.
- (2) Σύρετε το μπροστινό τμήμα του απορροφητήρα.
- (3) Θα πρέπει πρώτα να αφαιρέσετε το φίλτρο αλ. Πιέστε την ασφάλεια και τραβήξτε το προς τα κάτω.
- (4) Αντικαταστήστε με τον ίδιο τύπο λαμπτήρα. 110-240V~50Hz, MAX.2W LED
 - Ο κωδικός ILCOS D για αυτόν τον λαμπτήρα είναι: **DBS-2/65-H-120/33**
 - Μέγιστη ισχύς: **2 W**
 - Εύρος τάσης: **AC 110-240 V**
 - Διαστάσεις:





ΠΡΟΣΤΑΣΙΑ ΤΟΥ ΠΕΡΙΒΑΛΛΟΝΤΟΣ:



Αυτή η συσκευή έχει σήμανση σύμφωνα με την Ευρωπαϊκή Οδηγία 2012/19/EU σχετικά με τα απόβλητα ηλεκτρικού και ηλεκτρονικού εξοπλισμού (ΑΗΗΕ). Τα ΑΗΗΕ περιλαμβάνουν τόσο ρυπογόνες ουσίες οι οποίες περιλαμβάνουν τόσο ρυπογόνες ουσίες (οι οποίες μπορούν να έχουν αρνητικές επιπτώσεις στο περιβάλλον) όσο και βασικά εξαρτήματα (τα οποία μπορούν να χρησιμοποιηθούν και πάλι). Είναι σημαντικό τα ΑΗΗΕ να υποβάλλονται σε συγκεκριμένες επεξεργασίες έτσι ώστε να αφαιρούνται και να απορρίπτονται όλα τα ρυπογόνα στοιχεία και να ανακτώνται όλα τα υλικά. Τα άτομα μπορούν να διαδραματίσουν σημαντικό ρόλο στην εξασφάλιση ότι τα ΑΗΗΕ δεν θα αποτελέσουν περιβαλλοντικό πρόβλημα. Είναι απαραίτητο να ακολουθούνται μερικοί βασικοί κανόνες:

τα ΑΗΗΕ δεν θα πρέπει να αντιμετωπίζονται σαν οικιακά απορρίμματα, τα ΑΗΗΕ θα πρέπει να μεταφέρονται στα ειδικά κέντρα συλλογής και ανακύκλωσης αποβλήτων που διαχειρίζονται οι δημοτικές αρχές ή εξουσιοδοτημένες εταιρείες.

Σε πολλές χώρες, μπορεί να υπάρχουν διαθέσιμες συλλογές από τα σπίτια για μεγάλα ΑΗΗΕ. Όταν αγοράζετε μια καινούργια συσκευή, η παλιά μπορεί να επιστραφεί στον πωλητή ο οποίος πρέπει να την παραλάβει χωρίς χρέωση σε αναλογία μία προς μία, εφόσον η συσκευή αυτή είναι ισοδύναμου τύπου και έχει τις ίδιες λειτουργίες με την παρεχόμενη συσκευή.

ΣΗΜΕΙΩΣΗ:

Τα ακόλουθα υποδεικνύουν πως να μειώσετε τις συνολικές επιπτώσεις στο περιβάλλον (π.χ. χρήση ενέργειας) της διαδικασίας μαγειρέματος.

- (1) Τοποθετήστε τον απορροφητήρα σε ένα κατάλληλο μέρος όπου υπάρχει επαρκής εξαερισμός.
- (2) Καθαρίστε τον απορροφητήρα σε τακτά χρονικά διαστήματα έτσι ώστε να μην εμποδίζεται η ροή του αέρος.
- (3) Μην ξεχνάτε να σβήνετε το φως του απορροφητήρα μετά από το μαγείρεμα.
- (4) Μην ξεχνάτε να σβήνετε τον απορροφητήρα μετά από το μαγείρεμα.

ΠΛΗΡΟΦΟΡΙΕΣ ΓΙΑ ΤΗΝ ΑΠΟΣΥΝΑΡΜΟΛΟΓΗΣΗ

Μην αποσυναρμολογείτε την συσκευή με τρόπο που δεν αναφέρεται στο εγχειρίδιο οδηγιών χρήσης. Η συσκευή δεν πρέπει να αποσυναρμολογείται από τον χρήστη. Στο τέλος της ζωής της, η συσκευή δεν πρέπει να απορρίπτεται μαζί με τα οικιακά απορρίμματα. Ελέγξτε με τις τοπικές αρχές ή με τον έμπορο για οδηγίες για την ανακύκλωση.

تم وسم هذا الجهاز وفقاً للتوجيه الأوروبي EU/19/2012 بشأن لوائح نفايات المعدات الكهربائية والإلكترونية لعام 2013 المتعلقة بالأجهزة الكهربائية والإلكترونية (WEEE). تحتوي نفايات المعدات الكهربائية والإلكترونية على كل من مواد ملوثة (تؤثر بشكل سلبي على البيئة) وعناصر أساسية (يمكن إعادة استخدامها). من المهم أن تتعرض نفايات المعدات الكهربائية والإلكترونية لعمليات معالجة محددة لإزالة الملوثات والتخلص منها بشكل صحيح واستعادة جميع المواد. يلعب الأفراد دوراً مهماً لضمان ألا تتسبب نفايات المعدات الكهربائية والإلكترونية في مشكلة بيئية، ومن الضروري اتباع بعض القواعد الأساسية:



- يحظر التعامل مع نفايات المعدات الكهربائية والإلكترونية كنفايات منزلية؛
- يتعين أخذ نفايات المعدات الكهربائية والإلكترونية إلى مناطق التجميع المخصصة التي يديرها مجلس المدينة أو شركة مسجلة.
- في العديد من الدول، قد تتاح مراكز محلية لتجميع نفايات المعدات الكهربائية والإلكترونية الضخمة. عندما تشتري جهازاً جديداً، يمكن إعادة الجهاز القديم إلى البائع الذي يجب عليه قبوله دون مقابل كإجراء لمرة واحدة، طالما كان الجهاز من ذات النوع ولديه ذات وظائف الجهاز الذي تم شراؤه.

ملاحظة:

فيما يلي توضيح لكيفية تقليل الأثر البيئي (على سبيل المثال استخدام الطاقة) لعمليات الطهي).

- (1) قم بتركيب مدخنة موقد الطهي في مكان صحيح يتمتع بتهوية كافية.
- (2) نظّف مدخنة موقد الطهي بانتظام حتى لا تنسد ممرات الهواء.
- (3) تذكر إيقاف تشغيل مصباح مدخنة موقد الطهي بعد الانتهاء من الطهي.
- (4) تذكر إيقاف تشغيل مدخنة موقد الطهي بعد الانتهاء من الطهي.

معلومات بشأن التفكيك

لا تشرع في تفكيك الجهاز بطريقة غير موضحة في دليل المستخدم. ينبغي على المستخدم عدم تفكيك الجهاز. في نهاية فترة تشغيله، يجب عدم التخلص من الجهاز مع النفايات المنزلية. افحص مع السلطات المحلية أو جهة احتفاظ بشأن إعادة تدوير الجهاز.

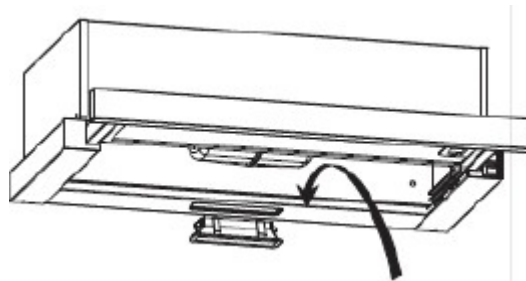
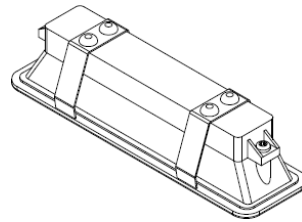
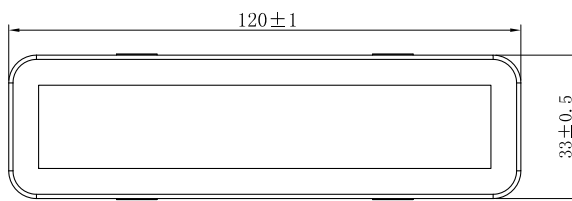
استبدال المصباح

- ✧ يجب استبدال المصباح بواسطة جهة التصنيع، أو وكيل الخدمة أو أشخاص آخرين مؤهلين على نحو مماثل.
- ✧ احرص دائمًا على إيقاف تشغيل مصدر الكهرباء قبل تنفيذ أي عمليات على الجهاز. عند مناولة المصباح، تأكد أنه بارد تمامًا قبل ملامسته باليد.
- ✧ عند مناولة بلورات المصابيح فامسكها بقطعة قماش أو قفاز لضمان عدم ملامسة التعرق للبلورة نظرًا لأن ذلك يقلل عمر البلورة.

مهم:



- (1) أوقف تشغيل الجهاز وانزع القابس.
 - (2) حرك الجزء الأمامي لمدخنة موقد الطهي.
 - (3) يجب فصل فلتر الألمونيوم أولاً. اضغط على القفل واسحبه لأسفل.
 - (4) استبدل بمصباح من نفس النوع. مصباح LED جهد 110 240 فولت~50 هرتز، حد أقصى 2 وات
- رمز ILCOS D لهذا المصباح: **DBS-2/65-H-120/33**.
 - أقصى قدرة 2 وات
 - نطاق الجهد تيار متردد 110 240 فولت
 - الأبعاد



سطح لوحة التحكم

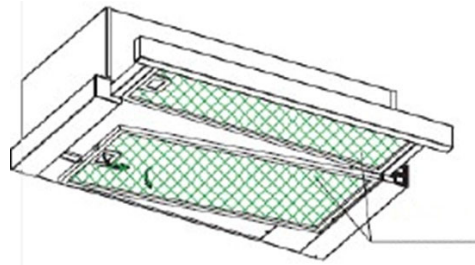
يمكن تنظيف لوحة التحكم باستخدام ماء دافئ وصابون. تأكد أن قطعة القماش نظيفة ومعصورة جيدًا قبل التنظيف. استخدم قطعة قماش جافة وناعمة لإزالة أية رطوبة زائدة متبقية بعد التنظيف.

مهم

استخدم منظفات طبيعية وتجنب استخدام كيماويات تنظيف قاسية أو منظفات منزلية قوية أو منتجات تحتوي على مواد كاشطة، نظرًا لأنها تؤثر على مظهر الجهاز ومن المحتمل أن تزيل أية طباعة فنية على لوحة التحكم كما أنها تبطل ضمان جهات التصنيع.

الفلاتر الشبكية للشحوم

يمكن تنظيف الفلاتر الشبكية باليد. انقعها لمدة 3 دقائق في الماء مع منظف مذيّب للدهون ثم نظفها بالفرشاة برفق باستخدام فرشاة ناعمة. يرجى عدم الضغط بشدة، وتجنب إتلافها. (اتركها تجف بصورة طبيعية بعيدًا عن ضوء الشمس المباشر) يجب غسل الفلاتر بشكل منفصل عن أواني الفخار وأواني المطبخ. كما يُنصح بعدم استخدام عامل مساعد للشطف.



فلاتر الألمونيوم

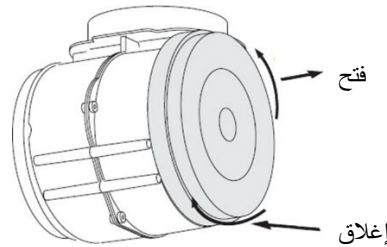
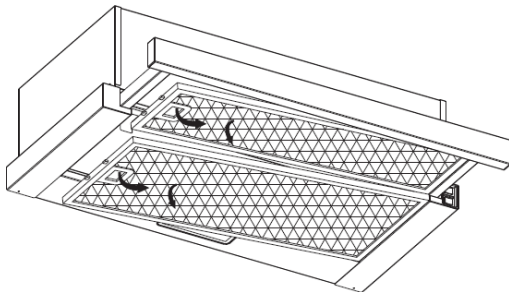
تركيب الفلاتر الشبكية للشحوم

- لتركيب الفلاتر اتبع الخطوات الأربعة التالية:
 - قم بمحاذاة الفلتر في الفتحات في مؤخرة مدخنة موقد الطهي.
 - ادفع الزر الموجود بمقبض الفلتر.
 - حرر المقبض بمجرد أن يستقر الفلتر في موضعه المناسب.
 - كرر الخطوات لتركيب جميع الفلاتر.

الفلتر الكربوني غير مرفق

يمكن استخدام فلتر الكربون المنشط لسحب الروائح. في العادة يجب تغيير فلتر الكربون المنشط كل ثلاث أو ست شهور على حسب عادات الطهي لديك. فيما يلي إجراء التركيب لفلتر الكربون المنشط.

- (1) حرك الجزء الأمامي لمدخنة موقد الطهي.
- (2) يجب فصل فلتر الألمونيوم أولاً. اضغط على القفل واسحبه لأسفل.
- (3) أخرج فلتر الكربون من خلال إدارته عكس عقارب الساعة.
- (4) أعد تركيب فلتر الكربون الجديد.



ملاحظة:

- تأكد من قفل الفلتر بإحكام. خلاف ذلك، قد يتدلى ويشكل خطورة.
- عند تركيب فلتر الكربون المنشط، سوف تنخفض قوة الامتصاص.

العطل	السبب المحتمل	الحل
المصباح يضيء، ولكن الموتور لا يعمل	تم إيقاف تشغيل مفتاح المروحة	حدد وضع مفتاح المروحة.
	تعطل مفتاح المروحة	اتصل بمركز الخدمة.
	تعطل الموتور	اتصل بمركز الخدمة.
المصباح لا يعمل والموتور لا يعمل	المصاهر المنزلية لا تعمل	أعد تعيين/استبدل المصاهر
	تم قطع سلك الطاقة أو فصله	أعد تركيب السلك في مأخذ الطاقة. قم بتشغيل مأخذ الطاقة.
تسريب الزيت	لم يتم إحكام غلق الصمام من اتجاه واحد والمخرج	أخرج الصمام من اتجاه واحد ثم قم بسدة باستخدام مانع تسريب.
	تسريب من وصلة المدخنة والغطاء	أخرج المدخنة وأحكام سدها.
المصابيح لا تعمل	بلورات المصباح مكسورة/متعطلة	استبدل بلورات المصباح وفقاً لهذه التعليمات.
الامتصاص غير كاف	المسافة بين مدخنة موقد الطهي وسطح موقد الغاز بعيدة جداً	أعد تركيب مدخنة موقد الطهي حسب المسافة الصحيحة.
مدخنة موقد الطهي مائلة	برغي التثبيت غير مربوط بإحكام	أحكام ربط برغي التعليق واجعله أفقياً.

ملاحظة:

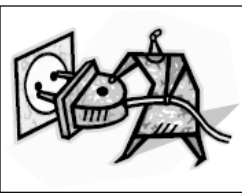


يجب أن تتوافق أي إصلاحات كهربائية لهذا الجهاز مع القوانين المحلية وقوانين الولاية والقوانين الفيدرالية الخاصة بك. الرجاء الاتصال بمركز الخدمة إذا كان لديك أي شك قبل الشروع في أي من الإصلاحات السابقة. واحرص دائماً على فصل اتصال الوحدة بمصدر الطاقة عند فتح الوحدة.

الصيانة والتنظيف

تنبيه:

- قبل إجراء الصيانة والتنظيف، يجب فصل مدخنة موقد الطهي على مصدر الطاقة الرئيسي. تأكد من إيقاف تشغيل مدخنة موقد الطهي من المأخذ الحائطي وإزالة القابس.
- الأسطح الخارجية عرضة للخدوش والتآكل، لذا اتبع تعليمات التنظيف للتأكد من تحقيق أفضل نتيجة بدون تلف.



عام

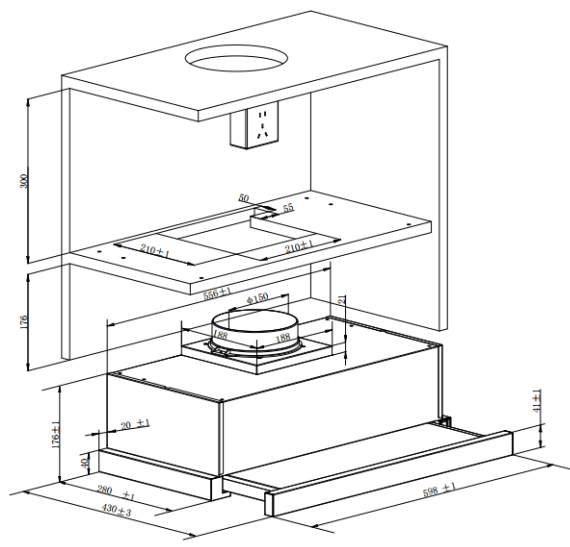
يجب إجراء الصيانة والتنظيف عندما يكون الجهاز بارداً خاصة عند التنظيف. تجنب ترك مواد قلووية أو حامضية (عصير الليمون أو الخل أو غيره) على الأسطح.

الصلب المقاوم للصدأ (ستانلس ستيل)

يجب تنظيف الصلب المقاوم للصدأ (ستانلس ستيل) بانتظام (على سبيل المثال أسبوعياً) لضمان التشغيل لمدة طويلة. جففه بقطعة قماش ناعمة ونظيفة. يمكن استخدام سائل تنظيف خاص للصلب المقاوم للصدأ (ستانلس ستيل).

ملاحظة:

تأكد من أن إجراء المسح تم في نفس اتجاه حبيبات الصلب المقاوم للصدأ لمنع ظهور أي أنماط خدوش متقاطعة قبيحة المنظر.



في حالة وجود فجوة بين الحائط ومدخنة موقد الطهي، فيمكنك تركيب كتيفة على شكل حرف L في أسفل المدخنة باستخدام برغيين (3 × 12 مم).

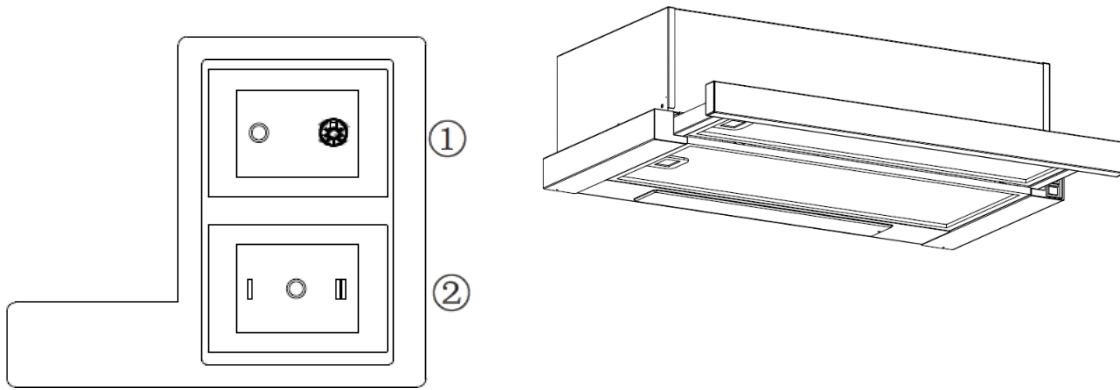
يعتبر تركيب الكتيفة على شكل حرف L اختياريًا. ملاحظة: لا يتضمن المنتج ماسورة التوسيع.

لأسباب تتعلق بالسلامة، الرجاء استخدام فقط نفس حجم برغي التثبيت أو التركيب الموصى به في دليل التعليمات الحالي. قد يؤدي الإخفاق في تركيب البراغي أو جهاز التثبيت وفقًا لهذه التعليمات إلى مخاطر كهربائية.

تحذير:

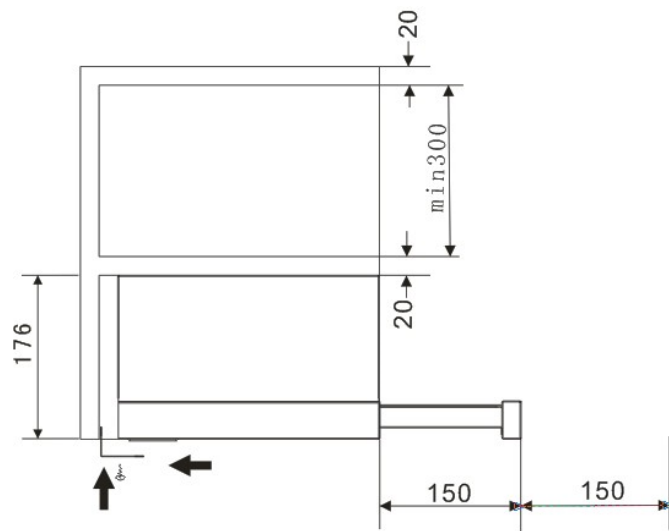
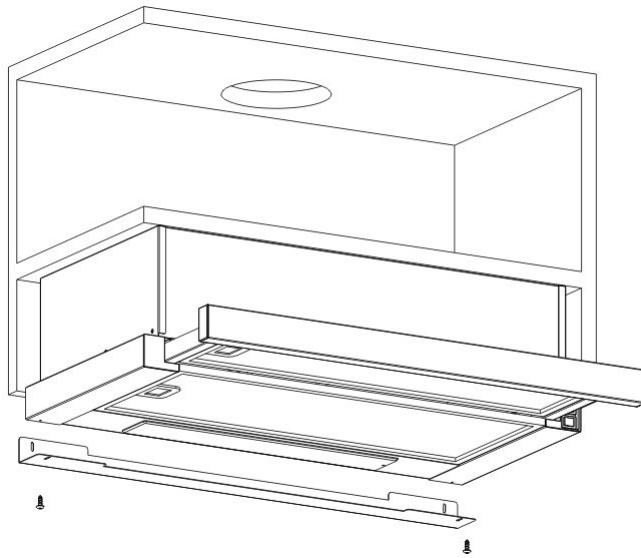
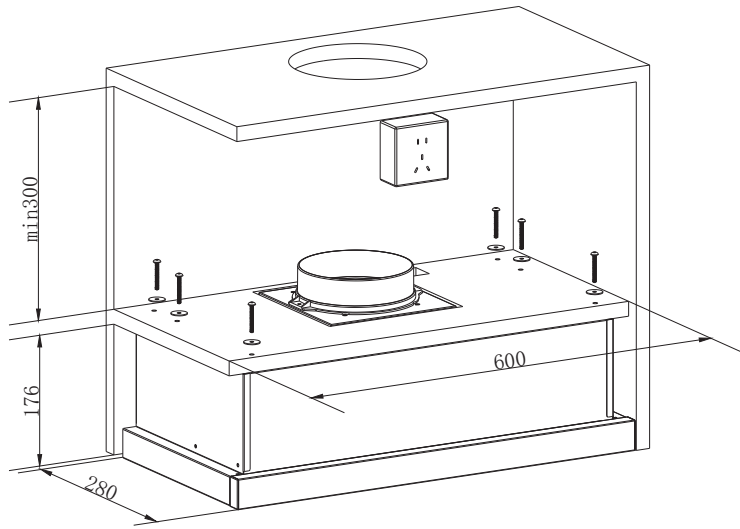


بدء استخدام مدخنة موقد الطهي
المفتاح المتأرجح

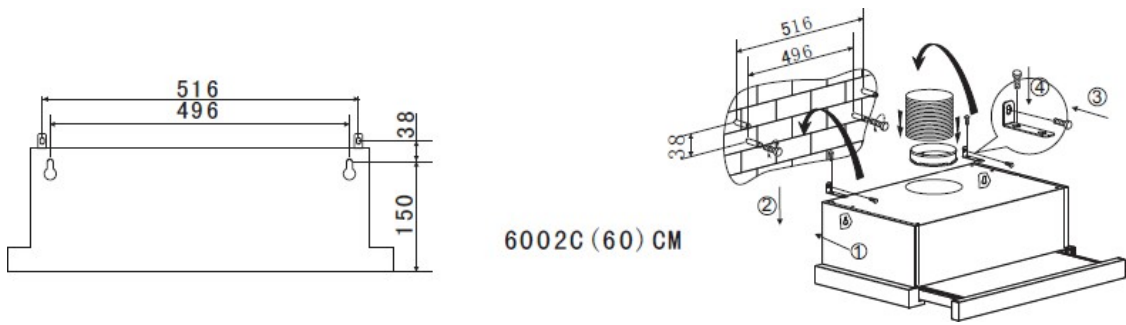


المفتاح المتأرجح

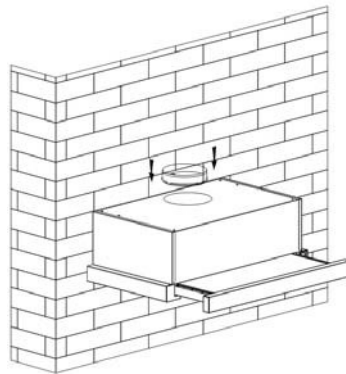
1. أدخل قابس الطاقة في المأخذ.
2. ادفع المفتاح ① إلى ، سيضيء المصباح؛ ادفع المفتاح ① إلى "0"، سينطفئ المصباح.
3. ادفع المفتاح ② إلى "I" و"II"، سيعمل المفتاح بسرعتين "منخفض، مرتفع" ادفعه إلى "0"، سيتوقف تشغيل الموتور.
4. سيتم توصيل الطاقة عند سحب اللوحة الأمامية. على العكس، يتم فصل الطاقة تلقائيًا.



3. يتم تركيب مدخنة موقد الطهي في الحائط بواسطة 4 براغي (4 مم × 30 مم) وسدادات حائط. قم بتركيب مدخنة موقد الطهي على الحائط من مؤخرة مدخنة موقد الطهي باستخدام برغيين (4 مم × 30 مم) وسدادات الحائط ثم تثبت مدخنة موقد الطهي في الحائط باستخدام برغيين (4 مم × 30 مم) وسدادات الحائط عن طريق الكتيفة الصغيرة على شكل حرف L.

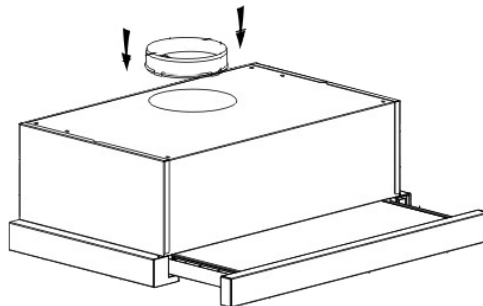


4. تثبت الصمام من اتجاه واحد في مخرج الهواء بمدخنة موقد الطهي.

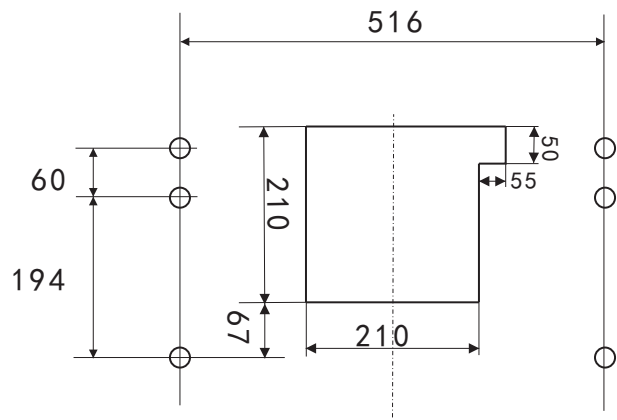


التركيب (التركيب في كابينة)

1. تثبت الصمام من اتجاه واحد في مخرج الهواء بمدخنة موقد الطهي.



2. قم بتركيب مدخنة موقد الطهي في الكابينة بواسطة 6 براغي (4×35 مم) والفلكات المسطحة.



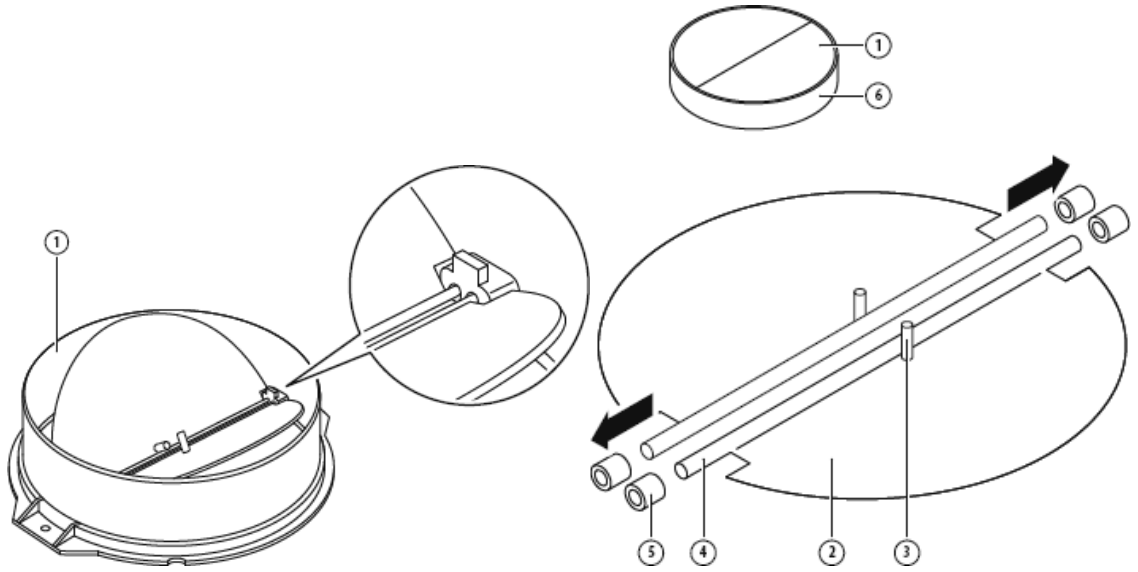
التركيب (التهوية الخارجية)

تركيب المصراع على شكل حرف V

*Optional accessory supplied only with some models.

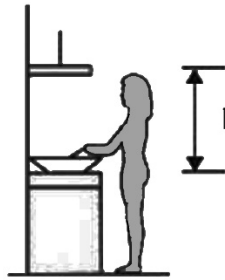
إذا كانت مدخنة موقد الطهي لا تتضمن مصراعًا على شكل حرف V مجتمعا، فيجب عليك تركيب أنصاف الأجزاء في هيكله. توضح الصور فقط مثالا لكيفية تركيب المصراع على شكل حرف V، وقد يختلف المخطط تبعًا للطرز والتكوينات المختلفة.

- لتركيب المصراع على شكل حرف V يجب ما يلي:
- قم بتركيب أنصاف الأجزاء 2 في الهيكل 6
 - يجب توجيه السن 3 لأعلى؛
 - يجب إدخال المحور 4 في الفتحات 5 في الجسم؛
 - كرر جميع العمليات مع نصف الجزء الثاني



التركيب (التركيب على الحائط)

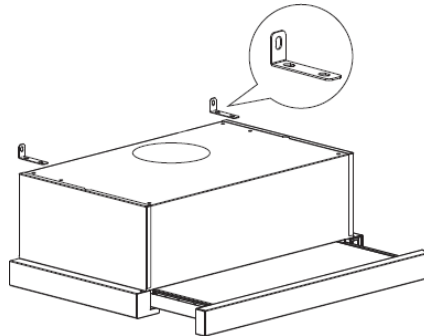
1. حدد مكان الثقوب لتثبيت مدخنة موقد الطهي.



70 سم

80 سم

2. قم بتركيب الكتيفة على شكل حرف L في أعلى الجسم باستخدام مسامري براغي (4 مم × 10 مم)



أمور مستحبة:

● احرص دائماً على وضع أغطية على الأواني عند الطهي على موقد الغاز.

● في وضع الإخراج، تجري إزالة الهواء من الغرفة عن طريق مدخنة موقد الطهي. الرجاء التأكد من اتباع إجراءات التهوية الصحيحة. تعمل مدخنة موقد الطهي على إزالة الروائح من الغرفة وليس البخار.

● تُخصص مدخنة موقد الطهي للاستخدام المنزلي فقط.



● إذا تعرض كابل التغذية للتلف، يتحتم استبداله بمعرفة المُصنِّع، أو وكيل خدماته أو بمعرفة فنيين مؤهلين وذلك تفادياً لأي مخاطر.

● يمكن استخدام هذا الجهاز من جانب الأطفال من سن 8 سنوات فما أكبر ومن جانب الأشخاص من ذوي القدرات البدنية أو الحسية أو العقلية المحدودة أو الأشخاص عديمي الخبرة والمعرفة وذلك في حالة إعطائهم التعليمات أو الإشراف عليهم بشأن استخدام الجهاز بطريقة آمنة وفهم المخاطر المتعلقة. يجب ألا يعيثر الأطفال بالجهاز. يحظر على الأطفال تنظيف أو صيانة هذا الجهاز إلا تحت إشراف.



● تحذير: قبل الوصول إلى الأطراف، يجب فصل جميع دوائر تغذية الطاقة.

أمور مستحبة:

● تنبيه: قد يصبح هذا الجهاز ومكوناته الملموسة ساخنة للغاية أثناء تشغيله. توخ الحذر لتفادي لمس العناصر الساخنة. يجب أن يبقى الأطفال أقل من 8 سنوات بعيدين إلا في حالة الإشراف الدائم عليهم.

● ينبغي وجود تهوية كافية في الغرفة عند استخدام مدخنة موقد الطهي في نفس وقت تشغيل الجهاز الذي يحرق الغاز أو وقود آخر.

● ثمة خطر نشوب حريق إذا لم يتم إجراء التنظيف وفقاً للتعليمات

● يجب استيفاء القواعد المتعلقة بتصريف الهواء.

● احرص على تنظيف جهازك بصفة دورية باتباع الطريقة الموضحة في قسم الصيانة.

● لأسباب تتعلق بالسلامة، الرجاء استخدام فقط نفس حجم برغي التثبيت أو التركيب الموصى به في دليل التعليمات الحالي.

● فيما يتعلق بالتفاصيل الخاصة بطريقة التنظيف وتكراره، الرجاء الرجوع إلى قسم الصيانة والتنظيف في دليل التعليمات.

● يحظر على الأطفال إجراء تنظيف أو صيانة لهذا الجهاز إلا تحت إشراف.

● في حالة تشغيل مدخنة موقد الطهي وأجهزة أخرى يجري تزويدها بطاقة بخلاف الكهرباء في آن واحد، فيجب ألا يزيد الضغط السالب في الغرفة عن 4 باسكال (4 × 10-5 بار).

● تحذير: خطر نشوب حريق: لا تخزن أي أجسام أعلى سطح الطهي.

● يجب عدم استخدام منظم البخار.

● لا تحاول مطلقاً إطفاء الحرائق بالماء، ولكن بادر بإيقاف تشغيل الجهاز ثم غط اللهب، على سبيل المثال: باستخدام غطاء أو بطانية الحريق.

يوضح هذا الدليل التركيب الصحيح والاستخدام لمدخنة موقد الطهي، الرجاء قراءته بعناية قبل الاستخدام حتى لو كنت على دراية بالمنتج. يجب الاحتفاظ بالدليل في مكان آمن للرجوع إليه في المستقبل.

أمور محظورة:

- لا تحاول استخدام مدخنة موقد الطهي بدون فلاتر الشحوم أو في حالة امتلاء الفلاتر بالشحوم المفرطة.
- لا تركبه فوق موقد طهي يتضمن شواية عالية المستوى.
- لا تترك أوعية القلي بدون مراقبة أثناء الاستخدام نظرًا لأن النيران قد تنتشب في الدهون أو الزيوت المسخنة بشكل مفرط.
- لا تترك مطلقًا لهبًا مكشوفًا تحت مدخنة موقد الطهي.



● في حالة تلف مدخنة موقد الطهي، فلا تحاول استخدامها.

● لا تشعل نارًا أسفل مدخنة موقد الطهي.

● تنبيه: قد تصبح الأجزاء سهلة الوصول ساخنة عند الاستخدام مع أجهزة الطهي.

● أدنى مسافة بين سطح الدعم لأوعية الطهي على سطح الموقد والجزء السفلي لمدخنة موقد الطهي. (في حالة تركيب مدخنة موقد الطهي فوق جهاز موقد غاز، فيجب أن تكون المسافة على الأقل 65 سم)

● يجب عدم تفريغ الهواء إلى أنبوب مدخنة تمر به أبخرة عادم من أجهزة تعمل بحرق الغاز أو وقود آخر.



أمور مستحبة:

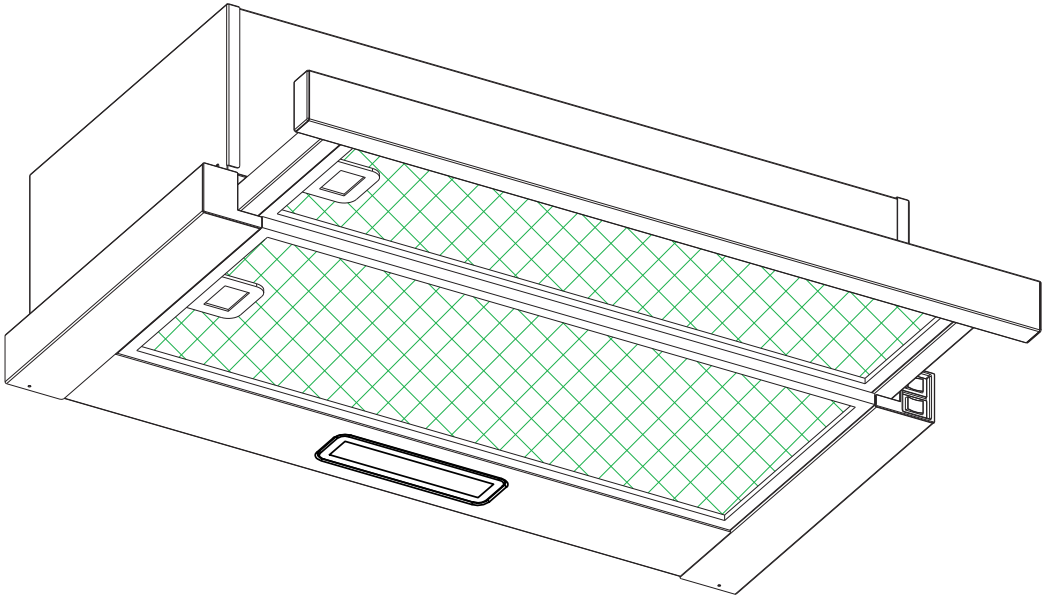
- احرص دائمًا على إيقاف مصدر التيار الكهربائي من السلك الرئيسي أثناء التركيب والصيانة، على سبيل المثال عند استبدال مصباح الإضاءة.
- يجب تركيب مدخنة موقد الطهي وفقًا لتعليمات التركيب واتباع جميع القياسات.
- ويجب تنفيذ كافة أعمال التركيب بواسطة شخص كفء أو كهربائي مؤهل.
- يرجى التخلص من مواد التغليف بعناية. فقد تشكل مخاطر على الأطفال.
- انتبه للحواف الحادة داخل مدخنة موقد الطهي خاصة أثناء التركيب والتنظيف.
- في حالة وجود مدخنة موقد الطهي فوق جهاز يعمل بالغاز، فإن أدنى مسافة بين سطح الدعم لأوعية الطهي على الموقد والجزء السفلي لمدخنة موقد الطهي يجب أن تكون كالتالي:
- مواقد الطهي الغازية: 75 سم مواقد الطهي الكهربائية: 65 سم مواقد الفحم أو الزيت: 75 سم
- تأكد من عدم وجود انحناءات في الأنبوب تزيد عن 90 درجة نظرًا لأن ذلك يقلل من كفاءة مدخنة موقد الطهي.
- تحذير: قد يؤدي الإخفاق في تركيب البراغي أو جهاز التثبيت وفقًا لهذه التعليمات إلى مخاطر كهربائية

المحتويات

3.....	إرشادات السلامة	.1
5.....	التركيب (التهوية الخارجية)	.2
9.....	استكشاف الأعطال وإصلاحها	.3
9.....	الصيانة والتنظيف	.4
12.....	الحماية البيئية:	.5

مدخنة موقد الطهي

دليل التركيب

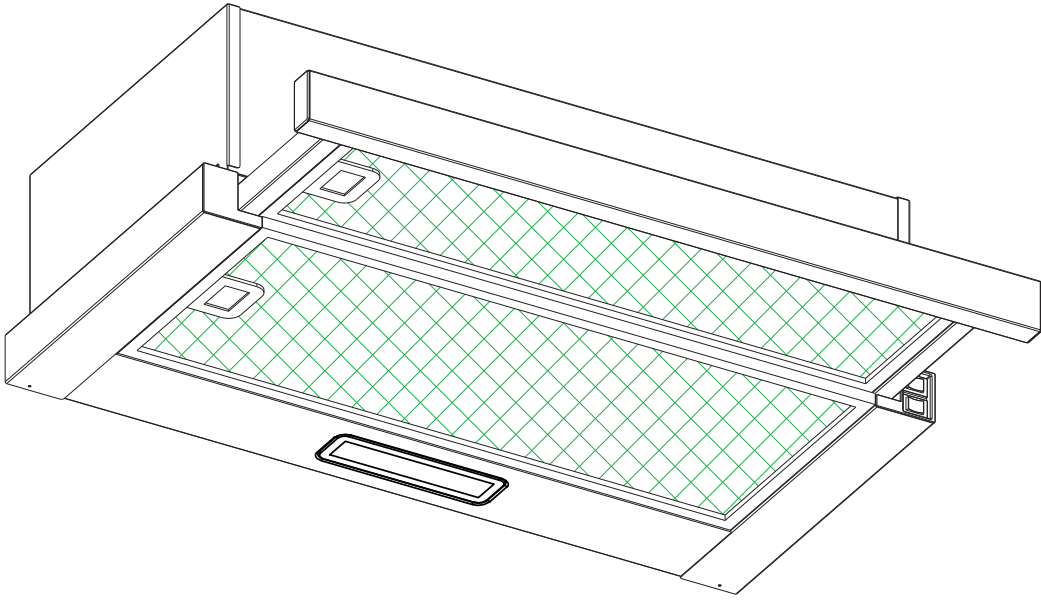


CBT625/2X/1

CBT625/2B/1 و CBT625/2W/1

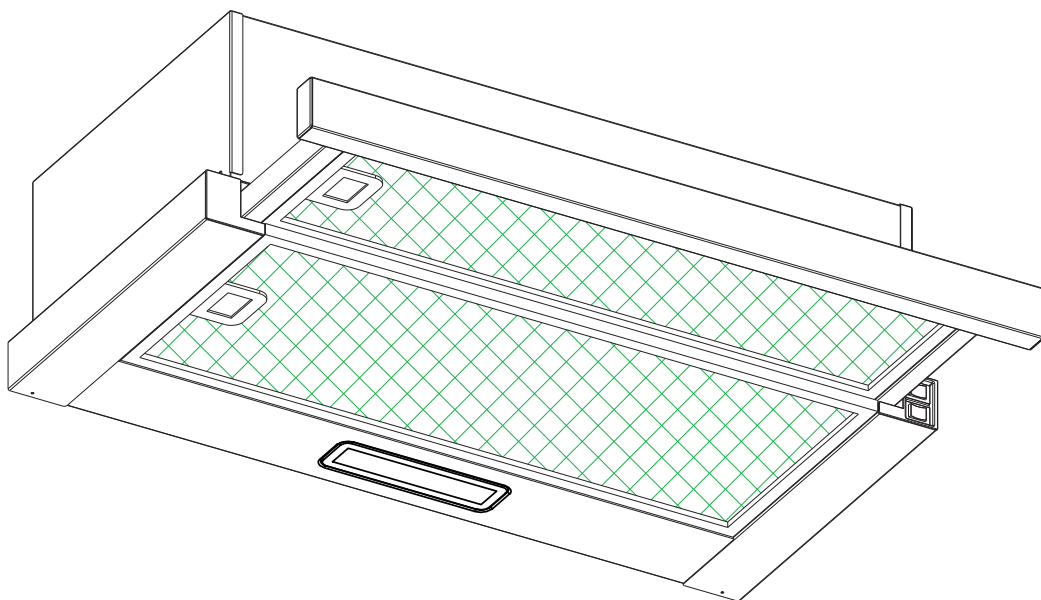
مدخنة موقد الطهي

دليل التركيب



Cappa per cucina

Manuale di istruzioni



Indice

1	Avvertenze sulla sicurezza
2	Installazione (sfiato all'esterno)
3	Funzionamento della cappa
4	Soluzione dei problemi
5	Pulizia e manutenzione
6	Protezione ambientale:

AVVERTENZE SULLA SICUREZZA

Questo manuale fornisce istruzioni per installare e utilizzare correttamente la cappa, per cui occorre consultarle attentamente anche se il prodotto è già conosciuto. Conservare questo manuale in un luogo sicuro per consultazioni successive.

Cosa non fare:

- Non utilizzare la cappa se i filtri per il grasso mancano o sono sporchi.
- Non installare su fornelli che producono fiamme alte.
- Non lasciare incustodite le padelle per le frittiture, in quanto il surriscaldamento dell'olio o dei grassi potrebbe provocare incendi.
- Non produrre fiamme alte sotto la cappa.



- Non utilizzare la cappa se è danneggiata.
- Non cucinare pietanze al flambé sotto la cappa.
- **ATTENZIONE:** i componenti accessibili potrebbero diventare troppo caldi quando la cappa viene utilizzata con altri elettrodomestici per la cottura degli alimenti.
- Attenersi alla distanza minima tra la superficie di supporto delle pentole sul piano cottura e la parte inferiore della cappa. Se la cappa viene installata su un elettrodomestico a gas, la distanza minima è almeno 65 cm.
- L'aria non deve essere scaricata nella canna fumaria utilizzata per l'evacuazione dei fumi di elettrodomestici che bruciano gas o altri combustibili.



Cosa fare:

- **Importante!** durante l'installazione e la manutenzione (ad es. la sostituzione della lampadina), scollegare sempre la fonte di alimentazione elettrica.
- La cappa deve essere installata esattamente come descritto nelle istruzioni.
- L'installazione deve essere effettuata da un elettricista professionista o da una persona competente.
- Smaltire correttamente i materiali di imballo, mantenendoli fuori dalla portata dei bambini.
- Accertarsi che nella cappa non rimangano oggetti taglienti, specialmente durante le operazioni di installazione e manutenzione.
- Se la cappa viene installata su un elettrodomestico a gas, rispettare la distanza minima tra la superficie di supporto delle pentole sul piano cottura e la parte inferiore della cappa:

Fornelli a gas:	75 cm
Fornelli elettrici:	65 cm
Fornelli a olio o carbone:	75 cm
- Accertarsi che le curvature dei tubi non siano inferiori a 90 gradi, altrimenti l'efficienza della cappa diminuisce.
- **Avvertenza:** per evitare pericoli dovuti all'elettricità, installare tutte le viti e i dispositivi di fissaggio descritti nelle presenti istruzioni.

Cosa fare:

- Se il fornello è a gas, coprire sempre le pentole con i coperchi.
- In modalità estrazione, l'aria nell'ambiente viene rimossa dalla cappa. Predisporre un'adeguata ventilazione. La cappa elimina gli odori dall'ambiente, ma non il vapore.
- La cappa deve essere utilizzata solo in ambienti domestici.



- Se il cavo di alimentazione è danneggiato, deve essere sostituito dal produttore, da un tecnico dell'assistenza o da una persona con analogo qualifica per evitare rischi.
- Questo elettrodomestico può essere utilizzato da bambini di almeno 8 anni, da persone con ridotte capacità fisiche, sensoriali o mentali e da persone inesperte solo sotto stretta sorveglianza o se hanno appreso le modalità di utilizzo sicuro dell'elettrodomestico e sono consapevoli dei relativi pericoli. Impedire ai bambini di giocare con l'elettrodomestico. La pulizia e la manutenzione non devono essere effettuate da bambini non sorvegliati.



- **Avvertenza:** scollegare l'alimentazione elettrica prima di accedere ai terminali elettrici.

Cosa fare:

- **Attenzione:** l'elettrodomestico e i componenti accessibili potrebbero diventare molto caldi durante l'uso. Non toccare le resistenze. Tenere lontani i bambini di età inferiore a 8 anni o sorvegliarli continuamente.
- Se la cappa viene utilizzata assieme a elettrodomestici che bruciano gas o altri combustibili, predisporre un'adeguata ventilazione dell'ambiente.
- Per evitare il rischio di incendi, eseguire le operazioni di pulizia come descritto nelle istruzioni.
- Attenersi scrupolosamente alle norme e ai regolamenti inerenti allo scarico dell'aria.
- Pulire periodicamente l'elettrodomestico con il metodo descritto nel capitolo **MANUTENZIONE**.
- Per motivi di sicurezza, utilizzare solo viti o dispositivi di montaggio delle dimensioni consigliate nel presente manuale di istruzioni.
- Per la frequenza e il metodo di pulizia, fare riferimento alle istruzioni dettagliate contenute nella sezione dedicata alla pulizia e alla manutenzione.
- La pulizia e la manutenzione non devono essere effettuate da bambini non sorvegliati.
- Se la cappa viene utilizzata contemporaneamente ad altri elettrodomestici alimentati con fonti alternative all'elettricità, la pressione negativa dell'ambiente non deve essere superiore a 4 Pa (4×10^{-5} bar).
- **AVVERTENZA:** per evitare il rischio di incendi, non collocare oggetti sulle superfici di cottura.
- Non adoperare elettrodomestici per la pulizia a vapore.
- In caso di incendio, non provare MAI a estinguerlo con l'acqua; spegnere l'elettrodomestico e coprire la fiamma con un coperchio o una coperta antincendio.

INSTALLAZIONE (SFIATO ALL'ESTERNO)

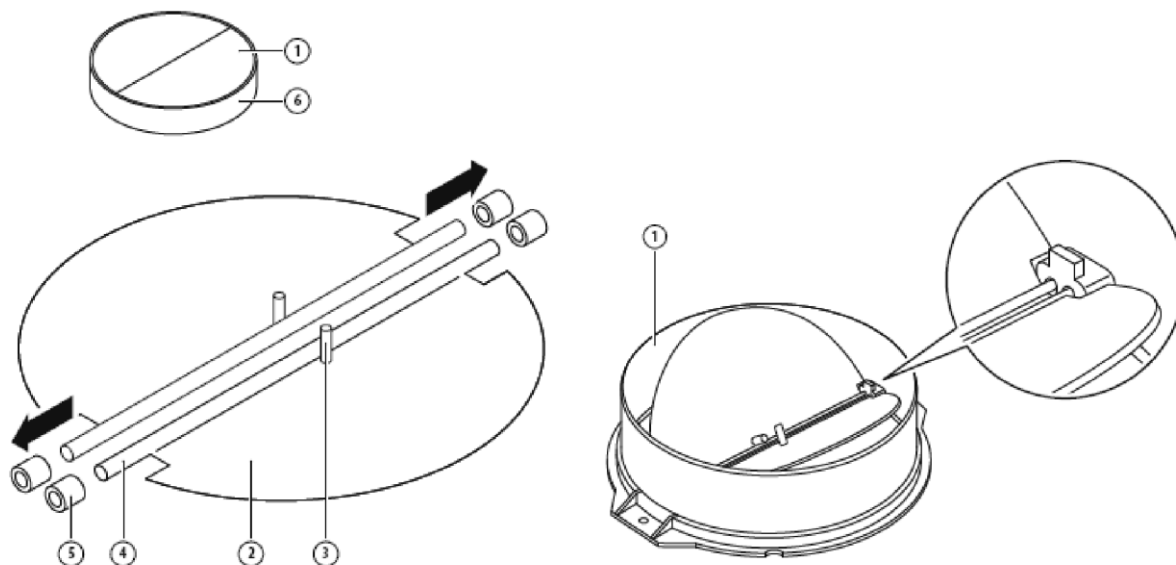
MONTAGGIO DELL'ALETTA A "V"

**Accessorio opzionale fornito solo con alcuni modelli.*

Se alla cappa non è montata l'aletta a "V" 1, occorre montare alla struttura i componenti che chiudono le due metà. Le figure illustrano solo un esempio del montaggio dell'aletta a "V"; lo scarico potrebbe essere diverso in base ai vari modelli e configurazioni.

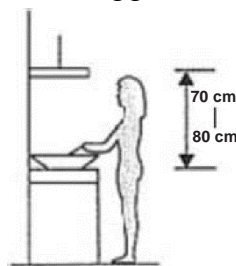
Per montare l'aletta a "V" 1:

- Montare i componenti di chiusura delle due metà 2 alla struttura 6
- Il perno 3 deve essere orientato verso l'alto
- L'asse 4 deve essere inserito nei fori 5 della struttura
- Ripetere tutte le operazioni per il secondo componente che chiude l'altra metà

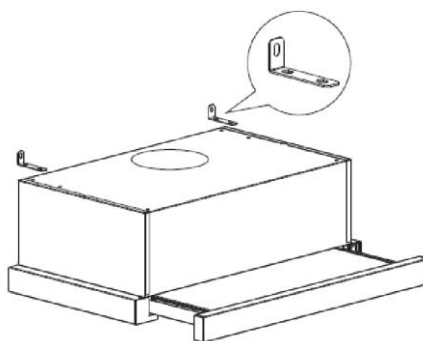


INSTALLAZIONE (montaggio a parete)

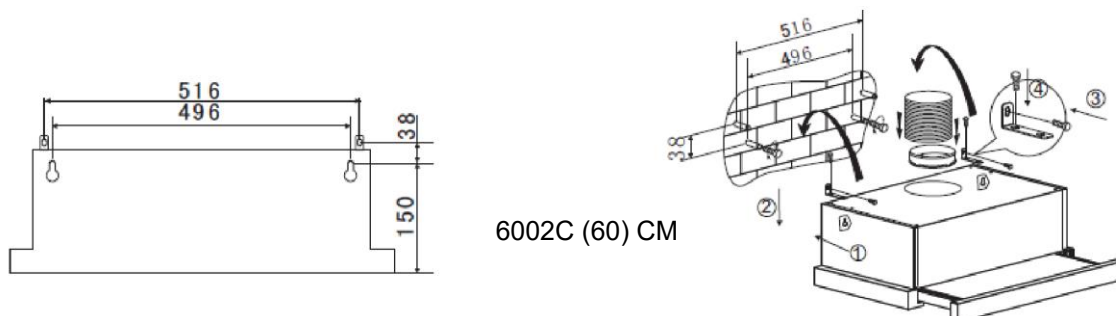
1. Stabilire la posizione dei fori per il fissaggio della cappa.



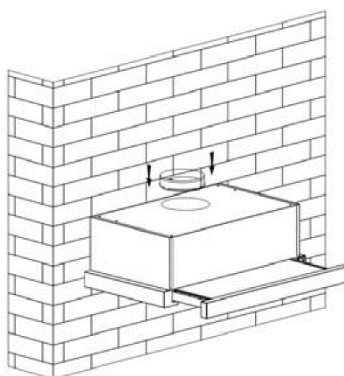
2. Installare la staffa a forma di L sulla parte superiore della cappa con due viti (4 mm x 10 mm)



- La cappa è fissata alla parete tramite 4 viti (4 mm x 30 mm) e tasselli. Montare la cappa da cucina alla parete fissando la parte posteriore con 2 viti (4 mm x 30 mm) e tasselli. Quindi fissare la cappa alla parete con 2 viti (4 mm x 30 mm) e tasselli tramite la piccola staffa a L.

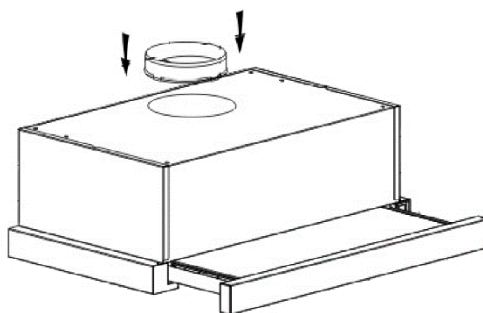


- Fissare la valvola unidirezionale all'uscita aria della cappa.

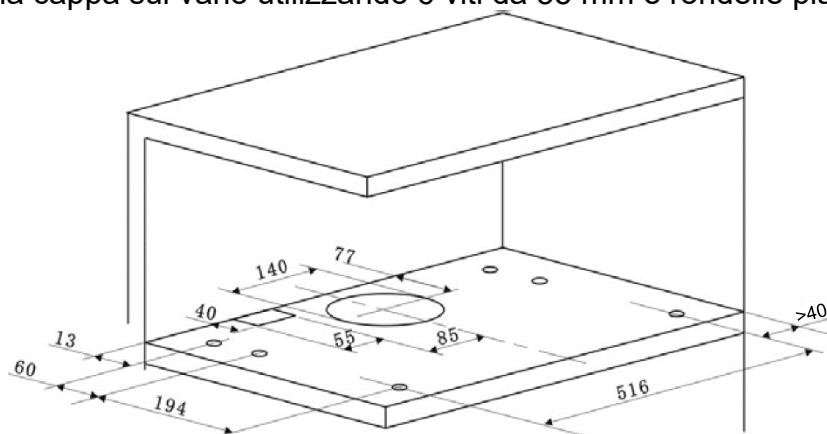


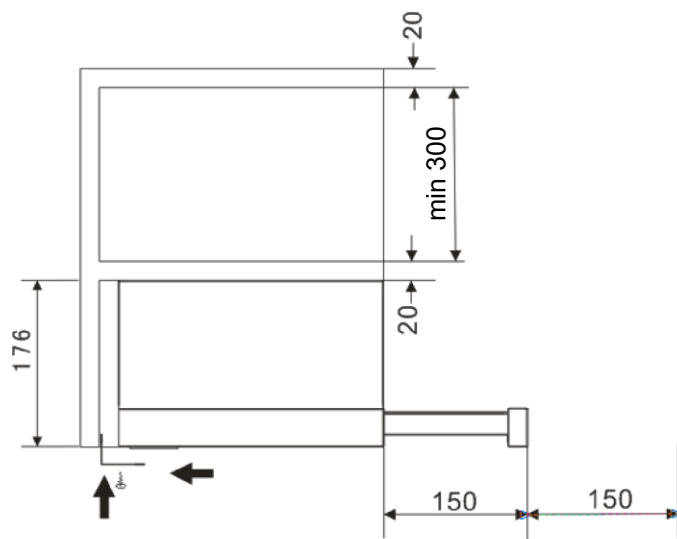
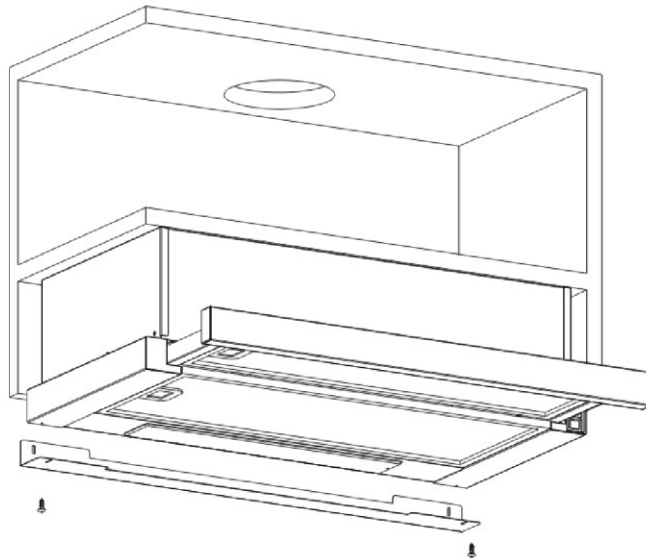
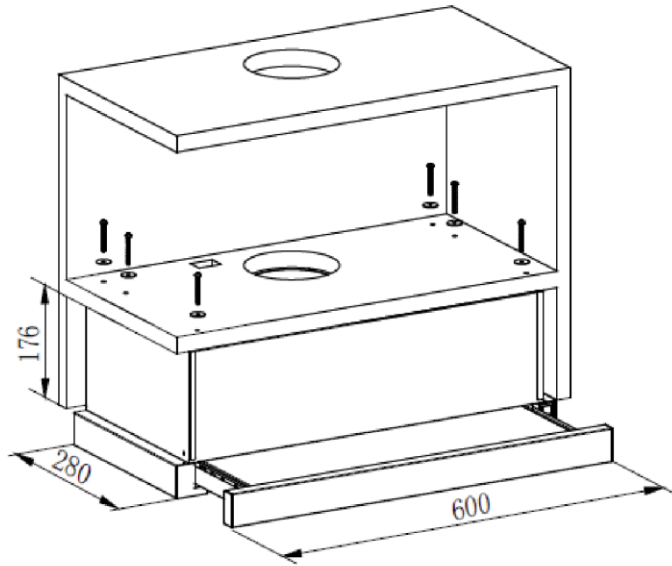
INSTALLAZIONE (montaggio in vano)

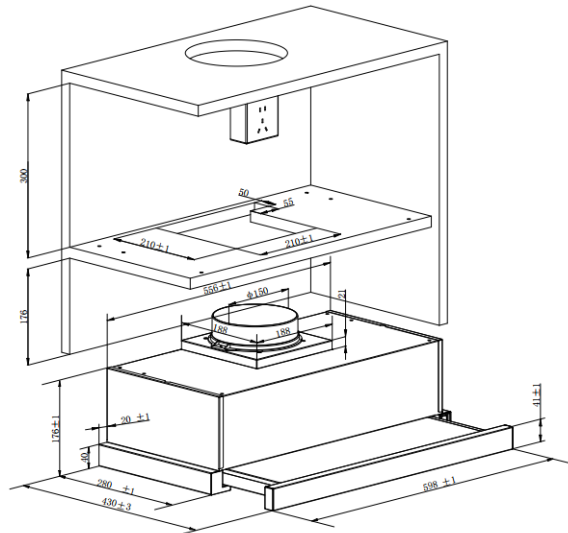
- Fissare la valvola unidirezionale all'uscita aria della cappa.




- Montare la cappa sul vano utilizzando 6 viti da 35 mm e rondelle piatte.





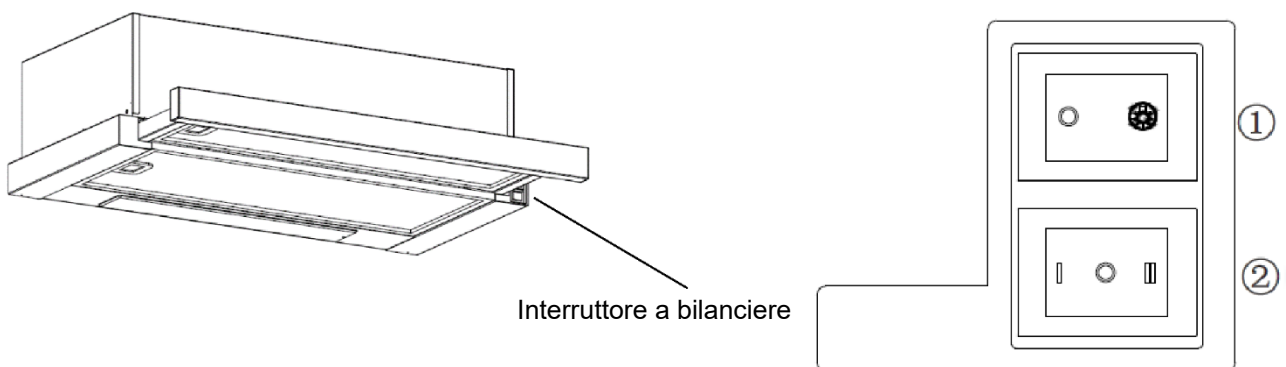


In presenza di spazio tra la parete e la cappa, è possibile installare la staffa a forma di L sul fondo della cappa mediante due viti (3 x 12 mm).
L'installazione della staffa a L è opzionale.
Nota: Il tubo di espansione non è incluso nel prodotto.

<p>AVVERTENZA:</p> 	<ul style="list-style-type: none"> ➤ Per motivi di sicurezza, utilizzare solo viti o dispositivi di montaggio delle dimensioni consigliate nel presente manuale di istruzioni. ➤ Per evitare pericoli dovuti all'elettricità, installare tutte le viti e i dispositivi di fissaggio descritti nelle presenti istruzioni.
--	--

Funzionamento della cappa

Interruttore a bilanciere



1. Inserire la spina di alimentazione nella presa.
2. Premere l'interruttore ①, la lampada si accenderà; spingere l'interruttore ① su "0", la lampada si spegnerà.
3. Spingere l'interruttore ② su "I, II", il motore sarà su due velocità "bassa, alta"; spingere l'interruttore su "0", il motore si spegnerà.
4. L'alimentazione verrà collegata quando si estrae il pannello anteriore. In caso contrario, l'alimentazione verrà automaticamente disconnessa.

SOLUZIONE DEI PROBLEMI

Problema	Causa possibile	Soluzione
La luce si accende ma il motore non funziona.	Interruttore del ventilatore spento.	Scegliere una posizione di funzionamento del ventilatore.
	L'interruttore del ventilatore non funziona.	Rivolgersi al centro assistenza.
	Il motore non funziona.	Rivolgersi al centro assistenza.
La luce non si accende ma il motore funziona.	Fusibili dell'impianto bruciati.	Resetare o sostituire i fusibili.
	Cavo di alimentazione allentato o scollegato.	Inserire la spina nella presa di corrente. Accendere la cappa.
Perdita d'olio.	La valvola unidirezionale e lo scarico sono non perfettamente sigillati.	Staccare la valvola unidirezionale e sigillarla.
	Perdita dal collegamento del camino e del coperchio.	Smontare il camino e sigillarlo.
La luce non funziona.	Lampadina guasta.	Sostituire la lampadina come indicato nelle istruzioni.
Aspirazione insufficiente	La distanza tra la cappa e il fornello a gas è eccessiva.	Rimontare la cappa a una distanza corretta.
La cappa si inclina.	La vite di fissaggio non è stata stretta a sufficienza.	Stringere la vite di fissaggio per collocare la cappa orizzontale.

NOTA:



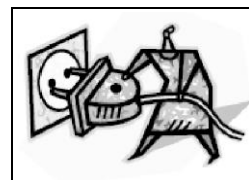
Eventuali riparazioni elettriche all'elettrodomestico devono essere conformi alle normative nazionali e locali. In caso di dubbi, rivolgersi al centro assistenza.

Prima di smontare l'elettrodomestico, scollegarlo sempre dalla fonte di alimentazione elettrica.

PULIZIA E MANUTENZIONE

Attenzione:

- Prima di eseguire le operazioni di pulizia e manutenzione, scollegare la cappa dalla fonte di alimentazione elettrica. Accertarsi che la cappa sia spenta e che la spina sia staccata dalla presa.
- Le superfici esterne sono sensibili ai graffi e alle abrasioni, per cui attenersi scrupolosamente alle istruzioni per la pulizia per ottenere i migliori risultati possibili senza danni.



INFORMAZIONI GENERALI

La pulizia e la manutenzione devono essere eseguite con l'elettrodomestico freddo, specialmente la pulizia. Non lasciare sostanze acide o alcaline (ad es. aceto o succo di limone) sulle superfici.

ACCIAIO INOX

L'acciaio inox richiede una pulizia regolare (ad es. ogni settimana) per ottimizzarne la durata. Pulire con un panno morbido e pulito. È possibile utilizzare detergenti liquidi per acciaio inox.

NOTA:

strofinare lungo la trama dell'acciaio inox per evitare graffi trasversali antiestetici.

SUPERFICIE DEL PANNELLO DI CONTROLLO

Pulire le incrostazioni sul pannello di controllo con acqua calda e sapone. Utilizzare un panno pulito e ben strizzato. Per eliminare l'umidità in eccesso dopo la pulizia, adoperare un panno morbido.

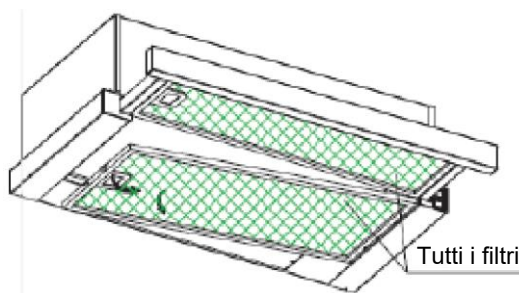
Importante

Utilizzare detergenti neutri, evitando l'impiego di sostanze chimiche, detersivi potenti o prodotti contenenti abrasivi che potrebbero causare danni estetici e rimuovere le immagini sul pannello di comando, annullando la garanzia del produttore.

FILTRI ANTIGRASSO A MAGLIA

I filtri a maglia possono essere puliti manualmente. Lasciarli immersi per 3 minuti in acqua con un detergente che scioglie il grasso e spazzolarli delicatamente con una spazzola morbida. Non applicare troppa pressione, altrimenti potrebbero danneggiarsi. Lasciarli asciugare naturalmente, al riparo dalla luce solare diretta.

I filtri devono essere lavati separatamente dalle stoviglie e dagli utensili di cucina, preferibilmente senza utilizzare brillantante.



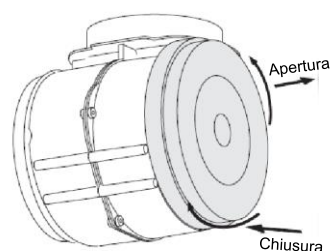
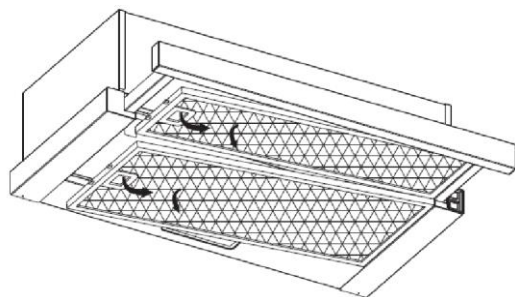
INSTALLAZIONE DEI FILTRI ANTIGRASSO A MAGLIA

- Per installare i filtri, attenersi alla procedura seguente.
 - Inserire il filtro nelle feritoie posteriori della cappa.
 - Premere il pulsante sulla maniglia del filtro.
 - Lasciare il pulsante quando il filtro è nella posizione corretta.
 - Ripetere l'operazione per installare tutti i filtri.

FILTRO A CARBONE - non fornito

Per catturare gli odori è possibile utilizzare filtri a carboni attivi. Normalmente questi filtri devono essere sostituiti ogni 3-6 mesi, in base all'uso della cucina. Di seguito è indicata la procedura di installazione dei filtri a carboni attivi.


- (1) Far scorrere la parte anteriore della cappa.
- (2) Il filtro deve essere staccato per primo. Premere il dispositivo di blocco e tirarlo verso il basso.
- (3) Estrarre il filtro a carbone ruotandolo in senso antiorario.
- (4) Sostituire il nuovo filtro a carbone.



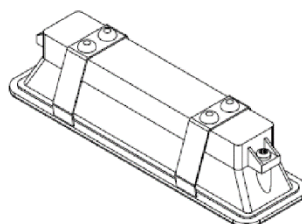
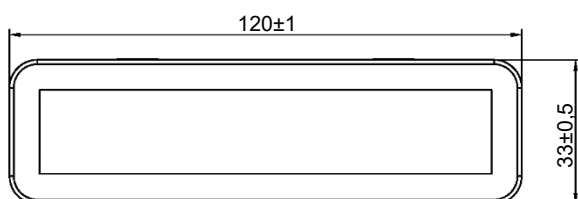
NOTA:

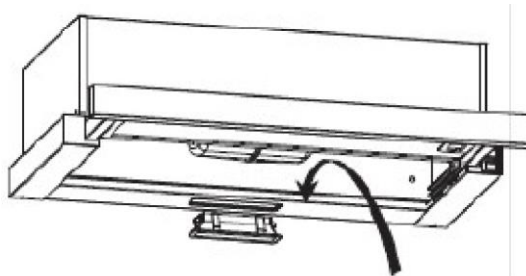
- Accertarsi che il filtro sia bloccato, altrimenti potrebbe allentarsi e provocare danni.
- Se si utilizza un filtro a carboni attivi, la potenza di aspirazione si riduce.

SOSTITUZIONE DELLA LAMPADINA

<p>Importante:</p> 	<ul style="list-style-type: none">✦ La lampadina deve essere sostituita dal produttore, da un rappresentante o da una persona qualificata.✦ Prima di effettuare qualunque operazione sull'elettrodomestico, scollegare sempre la fonte di alimentazione elettrica. Prima di toccare la lampadina con le mani, accertarsi che si sia raffreddata completamente.✦ Per prolungare la durata della lampadina, maneggiare i portalampadina con un panno o con i guanti per evitare che il sudore entri a contatto con lampadina.
--	---

- (1) Spegnerne l'elettrodomestico e staccare la spina.
- (2) Far scorrere la parte anteriore della cappa.
- (3) Il filtro deve essere staccato per primo. Premere il dispositivo di blocco e tirarlo verso il basso.
- (4) Sostituirlo con lo stesso tipo di luce. 110-240 V~50 Hz, LED MAX.2 W
 - Codice ILCOS D per la lampada: DBS-2/65-H-120/33.
 - Wattaggio max: 2 W
 - Intervallo di tensione: CA 110-240 V
 - Dimensioni:





PROTEZIONE AMBIENTALE:



Sull'elettrodomestico è riportato il simbolo di conformità alla direttiva europea 2012/19/CE relativa allo smaltimento di rifiuti di apparecchiature elettriche ed elettroniche. I rifiuti di apparecchiature elettriche ed elettroniche contengono sostanze inquinanti per l'ambiente e componenti basilari riutilizzabili. È fondamentale che i rifiuti di apparecchiature elettriche ed elettroniche siano sottoposti a trattamenti specifici per rimuovere e smaltire correttamente i materiali inquinanti e recuperare tutti i materiali riciclabili. Osservando alcune regole basilari, tutti possono contribuire a evitare danni ambientali causati dai rifiuti di apparecchiature elettriche ed elettroniche:

- I rifiuti di apparecchiature elettriche ed elettroniche non devono essere gestiti come rifiuti domestici.
- I rifiuti di apparecchiature elettriche ed elettroniche devono essere conferiti in aree di raccolta dedicate gestite a livello municipale o da una società registrata.

In molti paesi potrebbe essere disponibile il prelievo a domicilio per i rifiuti di apparecchiature elettriche ed elettroniche di grandi dimensioni. Quando si acquista un nuovo elettrodomestico, quello vecchio può essere restituito al rivenditore che è tenuto ad accettarlo gratuitamente, purché sia di tipo equivalente e abbia le stesse funzioni di quello acquistato.

NOTA:

Le istruzioni fornite di seguito spiegano come ridurre l'impatto ambientale totale (ad es. l'uso dell'energia) quando si cucina.

- (1) Installare la cappa in un luogo corretto e adeguatamente ventilato.
- (2) Pulire regolarmente la cappa per evitare ostruzioni nel percorso dell'aria.
- (3) Dopo la cottura, spegnere la lampada della cappa.
- (4) Dopo la cottura, spegnere la cappa.

INFORMAZIONI SULLO SMONTAGGIO

Per smontare l'elettrodomestico, attenersi scrupolosamente alle istruzioni contenute in questo manuale. L'elettrodomestico non può essere smontato dall'utente. Alla fine del ciclo di vita, l'elettrodomestico non deve essere gettato via come rifiuto comune. Consultare le autorità locali o il fornitore per il corretto smaltimento.